

Hoshizaki America, Inc.

Cabinet Stand

Model
SD-700



“A Superior Degree
of Reliability”

www.hoshizaki.com

PARTS LIST



Number: 71068
Issued: 10-19-1989
Revised: 5-5-2006

CONTENTS

| | |
|---------------------------------|---|
| Auxiliary Codes..... | 3 |
| Note About Ordering Parts | 3 |
| Material Abbreviations | 4 |
| A. Cabinet Stand Assembly | 5 |
| B. Label Location | 8 |
| C. Accessories..... | 9 |

Auxiliary Codes

| | | |
|---------------|-----|----------------|
| SD-700 | A-0 | October 1991 |
| | B-0 | January 1992 |
| | D-0 | May 1994 |
| | E-0 | August 1995 |
| | F-0 | November 1996 |
| | G-0 | March 1997 |
| | H-0 | January 1998 |
| | J-0 | February 1999 |
| | K-0 | January 2000 |
| | L-5 | March 2001 |
| | M-0 | January 2002 |
| | N-0 | January 2003 |
| | N-5 | September 2003 |
| | P-5 | February 2004 |
| | Q-5 | February 2005 |
| | R-5 | December 2005 |

Note About Ordering Parts

Most assemblies cannot be ordered as complete units; parts in the assemblies generally must be ordered separately.

Material Abbreviations

ALUMINUM

AL = Aluminum

COPPER

CU = Copper

PLASTIC

ABS = Acrylonitrile -butadiene - styrene
AC = Polyacetal
EVA = Ethylene vinyl acetate
PA = Polyamide = Nylon
PC = Polycarbonate
PE = Polyethylene
PES = Polyester
PETP = Polyethylene terephthalate = Tetlon
PP = Polypropylene
PS = Polystyrene
PTFE = Polytetrafluoroethylene = Teflon
PUR = Polyurethane
PVC = Polyvinyl chloride

RUBBER

VN = Vinyl Nitrile
EPDM = EP rubber
NBR = Nitrile butadiene rubber
NR = Natural rubber
NP = Neoprene
SI.R = Silicone rubber
SY.R = Synthetic rubber
EPH = Epichlorohydrin

STEEL

GS = Galvanized steel
SS = Stainless steel
PS = Plated steel
PAS = Primed steel

AUXILIARY CODE

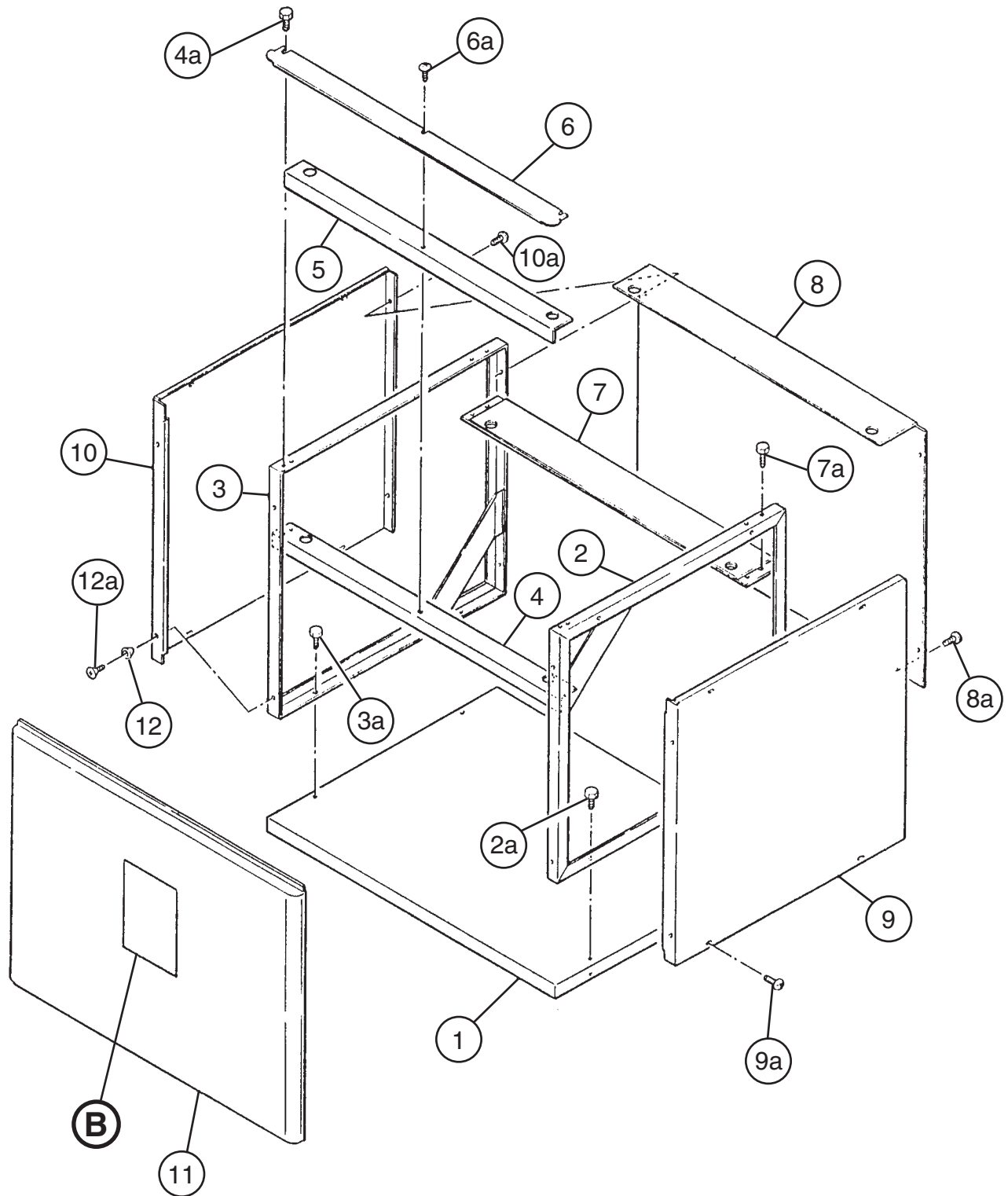
K-0

┌─── Designates the year. "K" indicates the year 2000. Years progress or regress in alphabetical order.
│ "J" is 1999, "L" is 2001, "M" is 2002, and so on. The letters "I" and "O" were skipped.
└─── Designates significant part changes within the same year for this model. Base is 5 (0 for auxiliary codes K-0 and earlier, M-0 and N-0) and this number advances for each change.

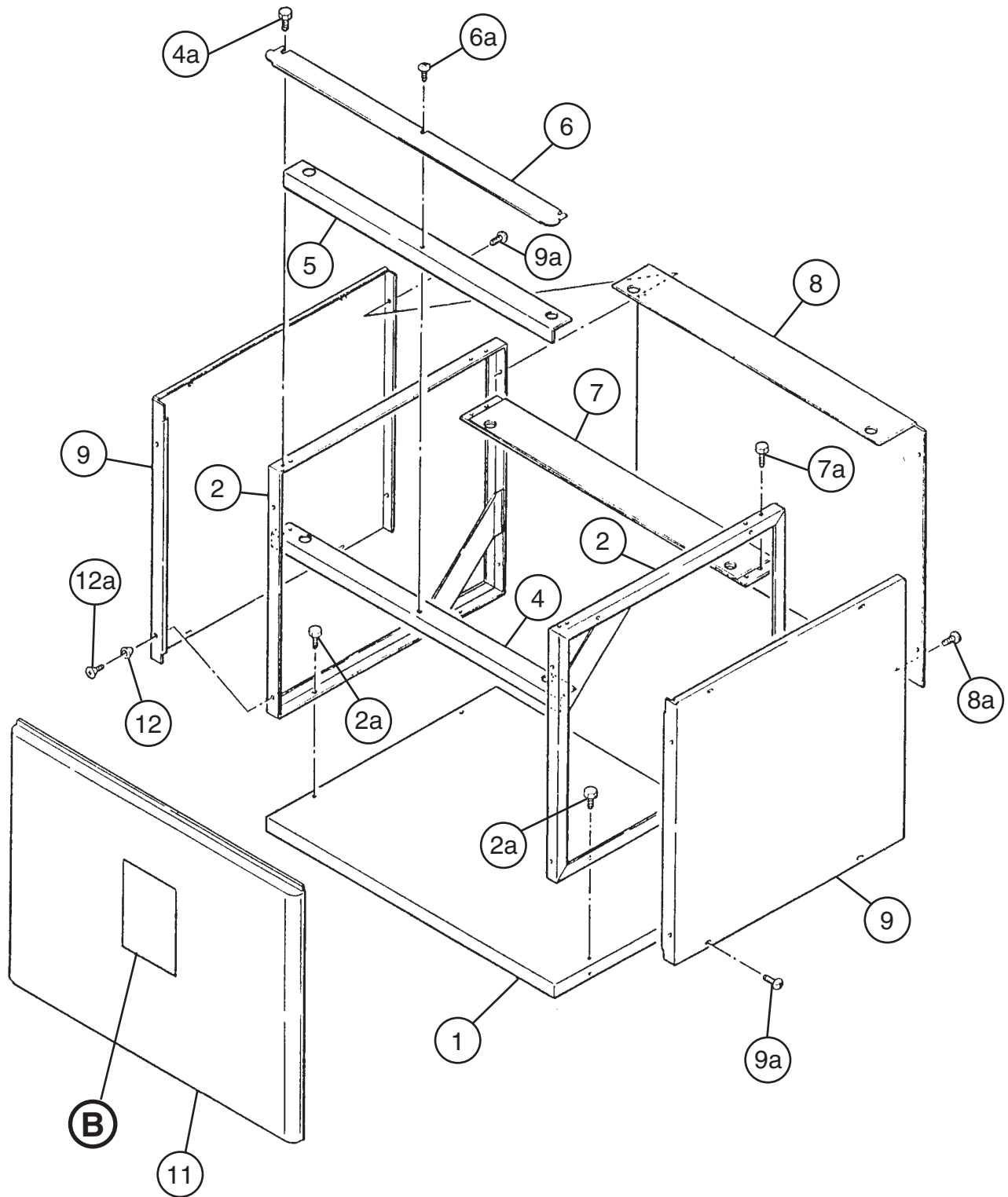
Example: P-6

┌─── "P" indicates 2004.
└─── "6" indicates the first significant part change for 2004.

A. Cabinet Stand Assembly
SD-700
A-0 through H-0

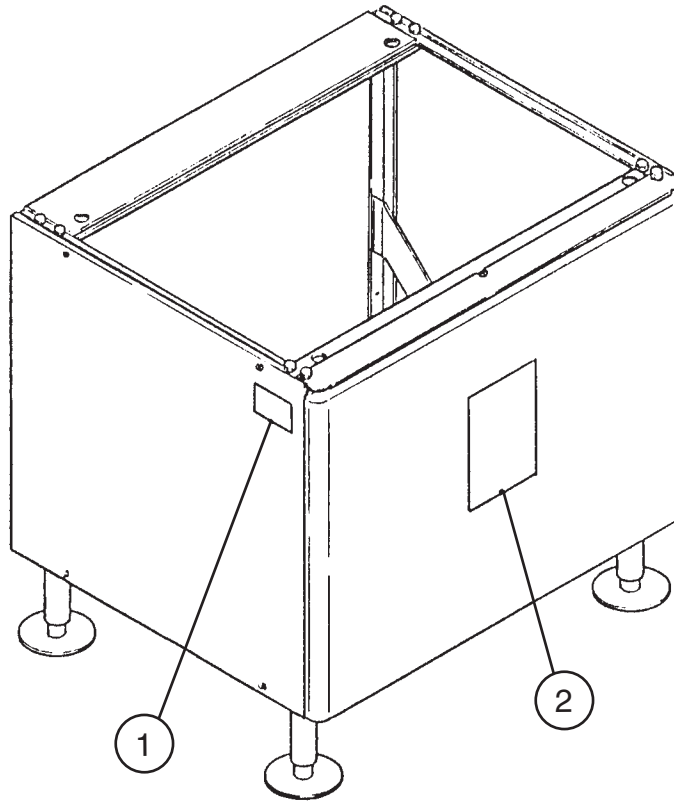


A. Cabinet Stand Assembly
SD-700
J-0 through R-5



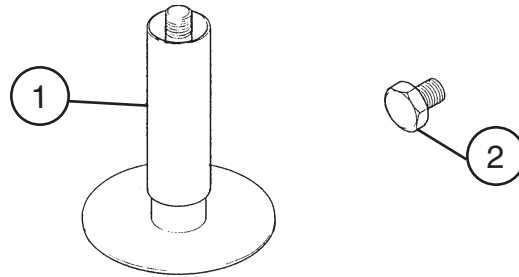
| Title: A. Cabinet Stand Assembly Model: SD-700 | | | | | | | | | | | | |
|--------------------------------------------------------------|------------------|--------------------------|-------------|-----------------|------------|--|--|--|--|--|--|--|
| Index No. | Description | Material or Model Number | Part Number | Required Number | | | | | | | | |
| | | | | A-0 to H-0 | J-0 to R-5 | | | | | | | |
| B | Label Location | - | 324592A02 | 1 | 1 | | | | | | | |
| 1 | Base | GS | 214453G01 | 1 | - | | | | | | | |
| | | | 2A1554G01 | | 1 | | | | | | | |
| 2 | Side Frame (R) | GS | 214380G01 | 1 | - | | | | | | | |
| | Side Frame | | 2A1697-01 | | 2 | | | | | | | |
| 2a | Hex Head Bolt | 8x12 | 7B01-0812 | 2 | 4 | | | | | | | |
| 3 | Side Frame (L) | GS | 214379G01 | 1 | - | | | | | | | |
| 3a | Hex Head Bolt | 8x12 | 7B01-0812 | 2 | - | | | | | | | |
| 4 | Front Frame (A) | GS | 324603G01 | 1 | - | | | | | | | |
| | | | 3A1405G01 | | 1 | | | | | | | |
| 4a | Hex Head Bolt | 8x12 | 7B01-0812 | 4 | 4 | | | | | | | |
| 5 | Front Frame (B) | GS | 324604-01 | 1 | - | | | | | | | |
| | | | 3A1404-01 | | 1 | | | | | | | |
| 6 | Cover (FR) | SS | 324602-01 | 1 | 1 | | | | | | | |
| 6a | Truss Head Screw | 4x8, SS | 7C32-0408 | 1 | 1 | | | | | | | |
| 7 | Rear Frame | GS | 324605G01 | 1 | - | | | | | | | |
| | | | 3A1406G01 | | 1 | | | | | | | |
| 7a | Hex Head Bolt | 8x12 | 7B01-0812 | 4 | 4 | | | | | | | |
| 8 | Rear Panel | GS | 324656-01 | 1 | - | | | | | | | |
| | | | 3A1350-01 | | 1 | | | | | | | |
| 8a | Truss Head Screw | 4x8, SS | 7C32-0408 | 3 | 3 | | | | | | | |
| 9 | Side Panel (R) | SS | 214377-01 | 1 | - | | | | | | | |
| | Side Panel | SS | 2A1550-01 | | 2 | | | | | | | |
| 9a | Truss Head Screw | 4x8, SS | 7C32-0408 | 6 | 12 | | | | | | | |
| 10 | Side Panel (L) | SS | 214378-01 | 1 | - | | | | | | | |
| 10a | Truss Head Screw | 4x8, SS | 7C32-0408 | 6 | - | | | | | | | |
| 11 | Front Panel | SS | 214364-01 | 1 | - | | | | | | | |
| | | | 214364-02 | | 1 | | | | | | | |
| 12 | Taper Collar | SS | 4H0171-01 | 4 | 4 | | | | | | | |
| 12a | Flat Head Screw | SS | 7C22-0412 | 4 | 4 | | | | | | | |

B. Label Location
SD-700
 A-0 through R-5

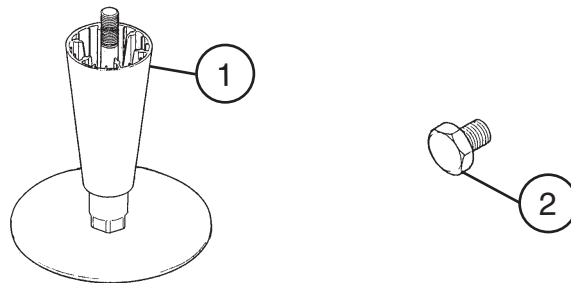


| Title: B. Label Location Model: SD-700 | | | | | | | | | | | |
|------------------------------------------------------|-------------------|--------------------------|-------------|-----------------|------------|--|--|--|--|--|--|
| Index No. | Description | Material or Model Number | Part Number | Required Number | | | | | | | |
| | | | | A-0 to E-0 | F-0 to R-5 | | | | | | |
| 1 | Nameplate | PES FILM | 437661-02 | 1 | - | | | | | | |
| | | | 4A0970-02 | | 1 | | | | | | |
| 2 | Instruction Sheet | PAPER | 437672-01 | 1 | 1 | | | | | | |

C. Accessories
SD-700
 A-0



B-0 through R-5



| Title: C. Accessories Model: SD-700 | | | | | | | | | | |
|-------------------------------------|----------------|--------------------------|-------------|-----------------|------------|------------|-----|--|--|--|
| Index No. | Description | Material or Model Number | Part Number | Required Number | | | | | | |
| | | | | A-0 | B-0 to E-0 | F-0 to Q-5 | R-5 | | | |
| 1 | Adjustable Leg | #1099-4444-2755 | 435446-01 | 4 | - | | | | | |
| | | 1069-2199-1680 | 441922-01 | | 4 | - | | | | |
| | | 1069-2199-1696 | 444127-01 | | | 4 | - | | | |
| | | AE62-99194 | 4A2526-01 | | | | 4 | | | |
| 2 | Hex Head Bolt | 5/8-11UNCx25 | 7B0115825 | 4 | 4 | 4 | 4 | | | |
| 3 | Leg Protector | PE | 3A0134-01 | - | - | 4 | 4 | | | |