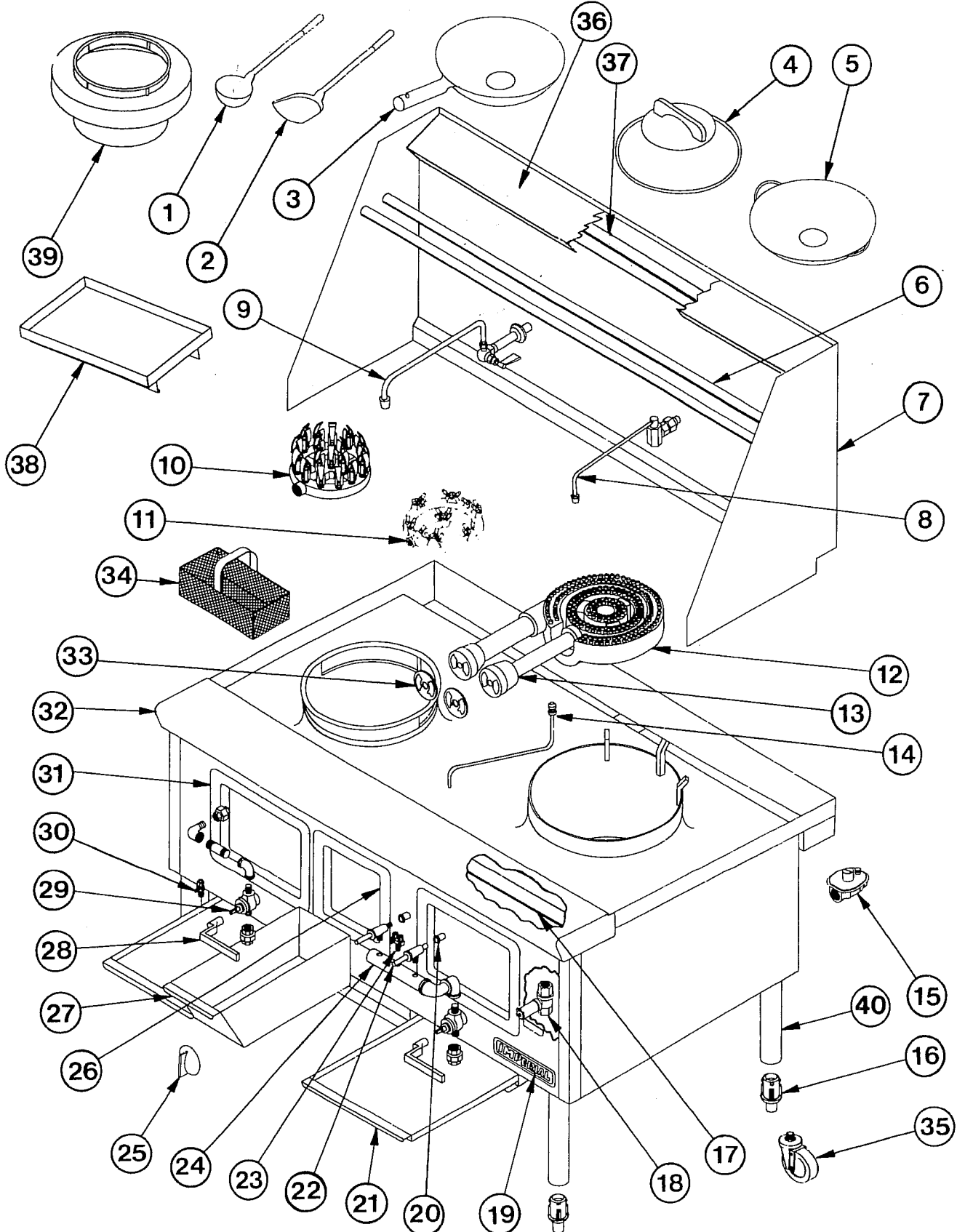


ICRA SERIES CHINESE RANGE
REPLACEMENT PARTS FOR ALL ICRA MODELS



ICRA SERIES - CHINESE RANGES

| ITEM NO. | DESCRIPTION | PART # | ICRA - 1 | ICRA - 2 | ICRA - 3 | ICRA - 4 | ICRA - 5 |
|----------|---------------------------------------|-----------|----------|----------|----------|-----------|------------|
| 1 | Ladle | 1249 | Optional | Optional | Optional | Optional | Optional |
| 2 | Spatula | 1250 | Optional | Optional | Optional | Optional | Optional |
| 3 | Single Handle Wok 14" | 1240 | Optional | Optional | Optional | Optional | Optional |
| 4 | Wok Lid 12" | 1340 | Optional | Optional | Optional | Optional | Optional |
| | Wok Lid 14" | 1341 | Optional | Optional | Optional | Optional | Optional |
| | Wok Lid 16" | 1342 | Optional | Optional | Optional | Optional | Optional |
| | Wok Lid 18" | 1343 | Optional | Optional | Optional | Optional | Optional |
| | Wok Lid 20" | 1344 | Optional | Optional | Optional | Optional | Optional |
| | Wok Lid 22" | 1345 | Optional | Optional | Optional | Optional | Optional |
| | Wok Lid 24" | 1346 | Optional | Optional | Optional | Optional | Optional |
| 5 | Wok 16" | 1241 | Optional | Optional | Optional | Optional | Optional |
| | Wok 18" | 1242 | Optional | Optional | Optional | Optional | Optional |
| | Wok 20" | 1243 | Optional | Optional | Optional | Optional | Optional |
| | Wok 22" | 1244 | Optional | Optional | Optional | Optional | Optional |
| | Wok 24" | 1245 | Optional | Optional | Optional | Optional | Optional |
| | Wok 26" | 1246 | Optional | Optional | Optional | Optional | Optional |
| 6 | (S/S) Pipe Rack | 24031-** | 36in. | 60in. | 84in. | 114in. | 142in. |
| 7 | (S/S) Back Splash | 24030-** | 36in. | 60in. | 84in. | 114in. | 142in. |
| 8 | Automatic Faucet | 1261 | 1 | 2 | 3 | 4 | 5 |
| 9 | Manual Faucet | 1260 | 1 | 2 | 3 | 4 | 5 |
| 10 | Duck Jet Burner - NAT. 18 Tip | 1270 | 1 | 2 | 3 | 4 | 5 |
| | Duck Jet Burner - L.P. 18 Tip | 1271 | 1 | 2 | 3 | 4 | 5 |
| | Duck Jet Burner - Tip Only | 35433 | 18 | 36 | 54 | 72 | 90 |
| | Duck Jet Burner - Orifice Only NAT. | 1602 | 18 | 36 | 54 | 72 | 90 |
| | Duck Jet Burner - Orifice Only L.P. | 1603 | 18 | 36 | 54 | 72 | 90 |
| 11 | Jet Burner - NAT. 23 Tip | 1272 | 1 | 2 | 3 | 4 | 5 |
| | Jet Burner - L.P. 23 Tip | 1273 | 1 | 2 | 3 | 4 | 5 |
| | Jet Burner - NAT. 32 Tip | 1274 | 1 | 2 | 3 | 4 | 5 |
| | Jet Burner - L.P. 32 Tip | 1275 | 1 | 2 | 3 | 4 | 5 |
| | Jet Burner - Tip Only NAT. | 1600 | 23 or 32 | 46 or 64 | 69 or 96 | 92 or 128 | 115 or 160 |
| | Jet Burner - Tip Only L.P. | 1601 | 23 or 32 | 46 or 64 | 69 or 96 | 92 or 128 | 115 or 160 |
| | Three Ring Burner Assembly | 2103 | 1 | 2 | 3 | 4 | 5 |
| 12 | Outer Ring Burner W / Air Shutter | 1247 | 1 | 2 | 3 | 4 | 5 |
| 13 | Inner Two Ring Burner W / Air Shutter | 2103-1 | 1 | 2 | 3 | 4 | 5 |
| 14 | Pilot Burner | 10000-25 | 1 or 2 | 2 or 4 | 3 or 6 | 4 or 8 | 5 or 10 |
| | Pilot Burner - S/S | 10000-25S | 1 or 2 | 2 or 4 | 3 or 6 | 4 or 8 | 5 or 10 |
| | Ferrel 3/16" | 30280 | 1 or 2 | 2 or 4 | 3 or 6 | 4 or 8 | 5 or 10 |
| | Compression Nut 3/16" | 30277 | 1 or 2 | 2 or 4 | 3 or 6 | 4 or 8 | 5 or 10 |
| 15 | Pressure Regulator - NAT. 3/4" | 1050 | 1 | 1 | | | |
| | Pressure Regulator - L.P. 3/4" | 1051 | 1 | 1 | | | |
| | Pressure Regulator - NAT/ LP. 1-1/4" | 1053 | | | 1 | 1 | 1 |
| 16 | Bullet Foot | 1045 | 4 | 4 | 6 | 6 | 6 |
| 17 | Water Wash Pipe | 24035-** | 36in. | 60in. | 84in. | 114in. | 142in. |
| 18 | Water Valve | 1621 | 1 | 1 | 1 | 1 | 1 |
| 19 | Imperial Logo | 35840 | 1 | 1 | 1 | 1 | 1 |
| | Name Plate Speed Nut | 36569 | 2 | 2 | 2 | 2 | 2 |
| 20 | (NAT.) Gas Orifice 3 Ring Burner Only | 2060 | 2 | 4 | 6 | 8 | 10 |
| | (L.P.) Gas Orifice 3 Ring Burner Only | 2065 | 2 | 4 | 6 | 8 | 10 |
| 21 | Crumb Tray 14" | 24010 | 1 | 1 | 1 | 1 | 1 |
| | Crumb Tray 16" | 24011 | 1 | 1 | 1 | 1 | 1 |
| | Crumb Tray 18" | 24012 | 1 | 1 | 1 | 1 | 1 |
| | Crumb Tray 20" | 24013 | 1 | 1 | 1 | 1 | 1 |
| | Crumb Tray 22" | 24014 | 1 | 1 | 1 | 1 | 1 |
| | Crumb Tray 24" | 24015 | 1 | 1 | 1 | 1 | 1 |
| | Crumb Tray 26" | 24016 | 1 | 1 | 1 | 1 | 1 |
| 22 | Three Ring Burner Gas Valve | 1610 | 2 | 4 | 6 | 8 | 10 |
| 23 | Double Pilot Valve | 1003 | 1 | 2 | 3 | 4 | 5 |
| 24 | Manifold Pipe For 3 Ring Burner | 24020 | 1 | 2 | 3 | 4 | 5 |
| 25 | Burner Knob - Chrome | 36330 | 2 | 4 | 6 | 8 | 10 |
| 26 | Front Drain Basket Frame | 1251 | 1 | 1 | 1 | 1 | 1 |
| 27 | Front Drain Basket 19-1/2" | 24004 | 1 | 1 | 1 | 1 | 1 |
| | Front Drain Basket 29-1/2" | 24005 | 1 | 2 | 3 | 4 | 5 |

ICRA SERIES - CHINESE RANGES

| ITEM NO. | DESCRIPTION | PART # | ICRA - 1 | ICRA - 2 | ICRA - 3 | ICRA - 4 | ICRA - 5 |
|--------------|--|----------|----------|----------|----------|----------|----------|
| 28 | "L" Shaped Handle | 1195 | 1 | 2 | 3 | 4 | 5 |
| | Set Screw | 1909 | 1 | 2 | 3 | 4 | 5 |
| | Pan Head Screw | 1910 | 1 | 2 | 3 | 4 | 5 |
| 29 | Main Gas Valve - Brass - New Style | 1620 | 1 | 2 | 3 | 4 | 5 |
| 30 | Single Pilot Adjustment Valve | 1607 | 1 | 2 | 3 | 4 | 5 |
| 31 | Control Panel Frame | 1252 | 1 | 2 | 3 | 4 | 5 |
| 32 | (S/S) Landing Ledge | 24025-** | 1 | 1 | 1 | 1 | 1 |
| 33 | Air Shutter - Three Ring Burner | 1011 | 2 | 4 | 6 | 8 | 10 |
| 34 | Rear Drain Basket 11-3/4" | 24006 | 1 | 1 | 1 | 1 | 1 |
| | Rear Drain Basket 15-3/4" | 24007 | 1 | 1 | 1 | 1 | 1 |
| | Front Drain Basket 19-1/2" | 24004 | 1 | 1 | 1 | 1 | 1 |
| | Front Drain Basket 29-1/2" | 24005 | 1 | 1 | 1 | 1 | 1 |
| ***35 | Stem Casters | 1062 | 4 | 4 | 4 | 4 | 4 |
| *** | Stem Casters With Brakes | 1063 | 4 | 4 | 4 | 4 | 4 |
| 36 | (S/S) Water Fall Cover | 24026-** | 36in. | 60in. | 84in. | 114in. | 142in. |
| 37 | Water Fall Water Pipe | 24036-** | 36in. | 60in. | 84in. | 114in. | 142in. |
| 38 | Sauce Tray (S/S) 6 Pan | 24001 | 1 | 1 | 1 | 1 | 1 |
| | Sauce Tray (S/S) 9 Pan | 24002 | 1 | 1 | 1 | 1 | 1 |
| | Sauce Tray (S/S) 12 Pan | 24003 | 1 | 1 | 1 | 1 | 1 |
| 39 | Ring Adapter - Call Factory For More Info | *** | Optional | Optional | Optional | Optional | Optional |
| 40 | Pipe Leg 13" | 24040 | 4 | 4 | 6 | 6 | 6 |
| | Pipe Leg - Chrome 13" | 24041 | 4 | 4 | 6 | 6 | 6 |
| *** | Main Gas Valve - Brass - Old Style | 1002 | 1 | 2 | 3 | 4 | 5 |