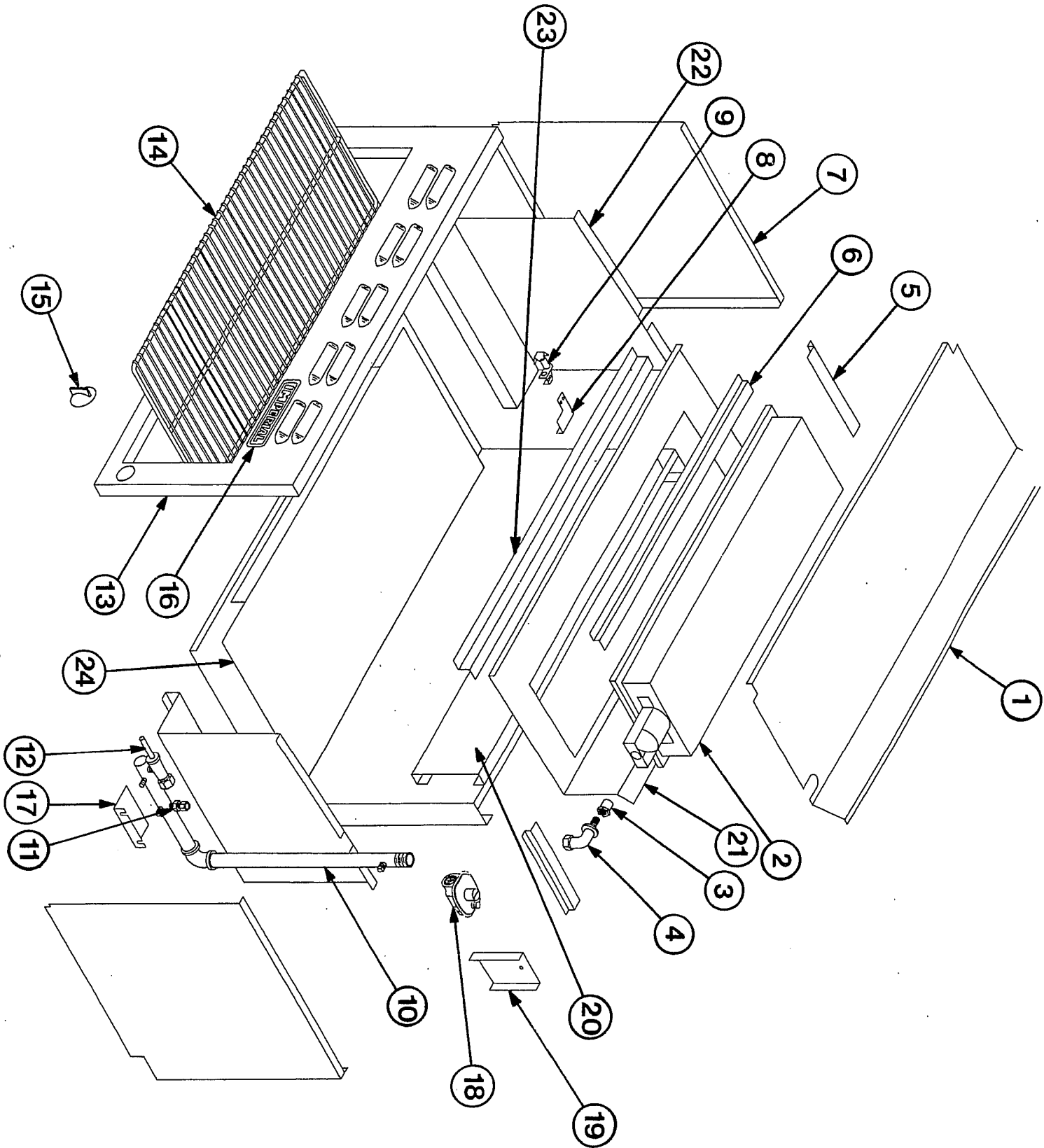


**ICMA SERIES CHEESEMELTER**  
**REPLACEMENT PARTS FOR ALL ICMA MODELS**



## ICMA

ITEM NO.	DESCRIPTION	PART #	24"	36"	48"	60"	72"
1	Top Cover 24"	14000	1				
	Top Cover 36"	14001		1			
	Top Cover 48"	14002			1		
	Top Cover 60"	14003				1	
	Top Cover 72"	14004					1
	<b>***Add "S" For S/S</b>						
2	Small Infrared Burner	1039	1		2	1	*** 3
	Large Infrared Burner	1040				1	
	Large Infrared Burner Duel Inlet	1299		1			
	<b>Following 2 Burners Are Used Only On Old Style Cheesemelter</b>						
	Old Style Small Infrared	1041					
	Old Style Large Infrared	1042		1			
3	Small Burner Orifice - NAT.	2063	1		2	1	*** 3
	Small Burner Orifice - L.P.	2068	1		2	1	*** 3
	Large Burner Orifice - NAT.	1700-39		1		1	
	Large Burner Orifice - L.P.	1700-52		1		1	
4	Orifice Elbow 90 Brass (old style)	37188	1	1 or 2	2	2	3
***	Orifice # 45 W / Elbow 90 Brass	35126		2			
***	Orifice # 55 W / Elbow 90 Brass	1642		2			
5	Burner Side Clamp	14020	2	2	4	4	6
6	Small Burner Front Clamp	14021	2		2	2	6
	Large Burner Front Clamp	14022		2		2	*** 1
7	Left Hand Side Panel	14010	1	1	1	1	1
	Right Hand Side Panel	14011	1	1	1	1	1
	<b>***Add "S" for S/S</b>						
8	Pilot Bracket	14030	1	1 or 2	2	2	3
9	Pilot Burner W / Bell Orifice - NAT.	1291	1	1 or 2	2	2	3
	Pilot Burner W / Bell Orifice - L.P.	1291+1018	1	1 or 2	2	2	3
	Pilot Bell Orifice - NAT.#18	1017	1	1 or 2	2	2	3
	Pilot Bell Orifice - L.P.#10	1018	1	1 or 2	2	2	3
***	3/16" S/S Tubing Specify the length in inch.	37001-**	in.	in.			
	Ferrel 3/16"	30319	2	2 or 4	4	4	6
	Compression Nut 3/16"	30267	2	2 or 4	4	4	6
10	Manifold Pipe 24" & 36"	0999-1	1	1			
	Right Side Manifold Pipe	0999-1	1	1	1	1	1
	Left Side Manifold Pipe	14042		1	1	1	1
11	Single Pilot Adj. Valve	1607	1	1 or 2	2	2	3
12	Gas Valve	1610	1	1 or 2	2	2	3
	Adapter	30286	1	1 or 2	2	2	3
***	3/8" S/S Tubing Specify the length in inch.	34679-**	in.	in.	in.	in.	in.
13	Front Cover 24"	14005	1				
	Front Cover 36"	14006		1			
	Front Cover 48"	14007			1		
	Front Cover 60"	14008				1	
	Front Cover 72"	14009					1
14	Rack Chrome 24" (19 x 14-3/8")	2027	1				
	Rack Chrome 36" (31 x 14-3/8")	4039-1		1			
	Rack Chrome 48" (43 x 14-3/8")	4040-1			1		
	Rack Chrome 60" (55 x 14-3/8")	2030				1	
	Rack Chrome 72" (67 x 14-3/8")	2031					1
15	Burner Knob - Chrome	36330	1	1 or 2	2	2	3
16	Imperial Logo Name Plate	35839	1	1	1	1	1
	Name Plate Speed Nut	36569	2	2	2	2	2
17	Manifold Bracket	17025	1	1 or 2	2	2	2
18	Gas Pressure Reg. 3/4" - NAT.	1050	1	1	1	1	1
	Gas Pressure Reg. 3/4" - L.P.	1051	1	1	1	1	1
19	Flue End Cap R/H	17022	1	1	1	1	1
	Flue End Cap L/H	17023	1	1	1	1	1
20	Back Flue Support 24"	14050	1				
	Back Flue Support 36"	14051		1			
	Back Flue Support 48"	14052			1		
	Back Flue Support 60"	14053				1	
	Back Flue Support 72"	14054					1
21	Top Liner 24"	14045	1				

## ICMA

ITEM NO.	DESCRIPTION	PART #	24"	36"	48"	60"	72"
	Top Liner 36"	14046		1			
	Top Liner 48"	14047			1		
	Top Liner 60"	14048				1	
	Top Liner 72"	14049					1
<b>22</b>	Side Liner - R/H	14026	1	1	1	1	1
	Side Liner - L/H	14027	1	1	1	1	1
<b>23</b>	Heat Rail 24"	14015	1				
	Heat Rail 36"	14016		1			
	Heat Rail 48"	14017			1		
	Heat Rail 60"	14018				1	
	Heat Rail 72"	14019					1
<b>24</b>	Bottom Liner 24"	14035	1				
	Bottom Liner 36"	14036		1			
	Bottom Liner 48"	14037			1		
	Bottom Liner 60"	14038				1	
	Bottom Liner 72"	14039					1
<b>25</b>	Ferrel 3/16"	30280	1	2	2	2	3
	Ferrel 3/8"	30272	1	2	2	2	3
<b>26</b>	Compression Nut 3/16"	30277	1	2	2	2	3
	Compression Nut 3/8"	30266	1	2	2	2	3
	ICMA Reinforcement Kit 24", 36"	14060	1	1			
	ICMA Reinforcement Kit 48", 60", 72"	14062			1	1	1
	Wall Mount Kit 24"	14055	1				
	Wall Mount Kit 36"	14056		1			
	Wall Mount Kit 48"	14057			1		
	Wall Mount Kit 60"	14058				1	
	Wall Mount Kit 72"	14059					1