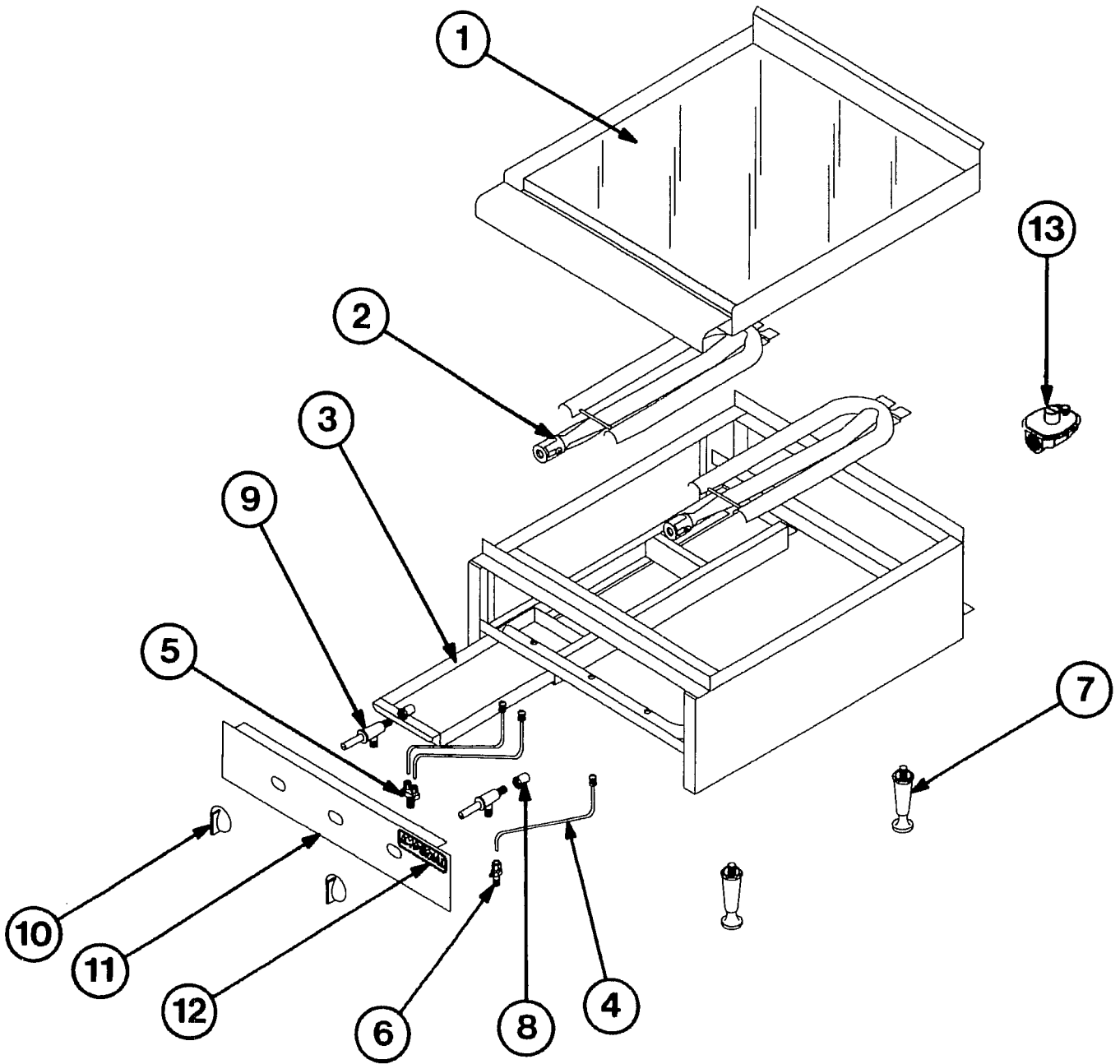


IMGA SERIES MANUALLY CONTROLLED GRIDDLES
REPLACEMENT PARTS FOR ALL IMGA MODELS



IMGA Series

ITEM NO	DESCRIPTION	PART #	2428	3628	4828	6028	7228
	3/4" Thick Plate						
1	Griddle Plate Assembly 24"	12099	1				
	Griddle Plate Assembly 36"	12100		1			
	Griddle Plate Assembly 48"	12101			1		
	1" Thick plate						
	Griddle Plate Assembly 24"	12102	1				
	Griddle Plate Assembly 36"	12103		1			
	Griddle Plate Assembly 48"	12104			1		
	Griddle Plate Assembly 60"	12105				1	
	Griddle Plate Assembly 72"	12106					1
2	"U" Burner Assembly W / Air Shutter	2099	2	3	4	5	6
	Air Shutter Only	1037	2	3	4	5	6
3	Grease Can 10 X 16 - Old Style	12019	1	1	1	1	1
	Grease Can 9 X 16 - Old Style	12020					
	Grease Can - New Style 19"1/4L 6"W 3"D	31180	1	1	1	1	1
4	Pilot Burner Assembly	10000-14	2	3	4	5	6
	Pilot Burner Assembly - S/S	10000-14S	2	3	4	5	6
	Ferrel 3/16"	30280	2	3	4	5	6
	Compression Nut 3/16"	30277	2	3	4	5	6
5	Adjustable Double Pilot Valve	1003	1	1	2	2	3
6	Adjustable Single Pilot Valve	1607		1		1	
7	Adjustable Leg 4"	4000-1	4	4	4	6	6
***	4" S/S Adjustable Leg 1/2 Stud W / Nylon Glic	3901	4	4	4	4	
8	Burner Orifice - NAT.	2062	2	3	4	5	6
	Burner Orifice - L.P.	1700-52	2	3	4	5	6
***	Orifice Bracket	12507	2	3	4	5	6
9	Burner Gas Valve - Brass	1610	2	3	4	5	6
10	Burner Knob - Chrome	36330	2	3	4	5	6
11	Valve Cover 24"	12030	1				
	Valve Cover 36"	12031		1			
	Valve Cover 48"	12032			1		
	Valve Cover 60"	12033				1	
	Valve Cover 72"	12034					1
12	Imperial Logo Name Plate	35839	1	1	1	1	1
	Name Plate Speed Nut	36569	2	2	2	2	2
13	Gas Pressure Regulator 3/4" - NAT.	1050	1	1	1	1	1
	Gas Pressure Regulator 3/4" - L.P.	1051	1	1	1	1	1
14	Grooved Griddle Cleaning Tool	12115	1	1	1	1	1
***	Manifold Pipe Only 24"	0870	1				
***	Manifold Pipe Only 36"	0869		1			
***	Manifold Pipe Only 48"	0868			1		
***	Manifold Pipe Only 60"	0866				1	
***	Manifold Pipe Only 72"	0865					1