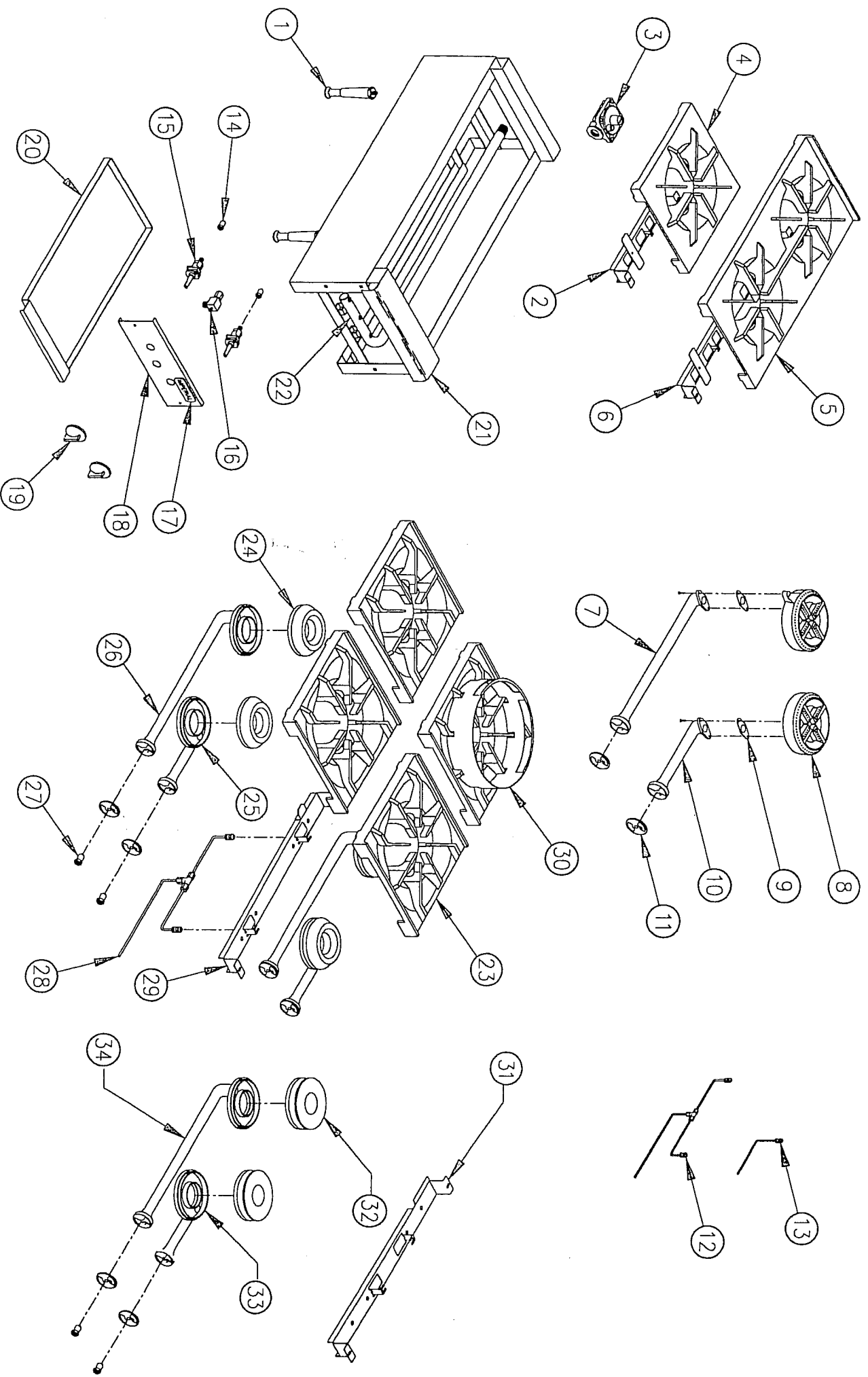


IHPA SERIES HOT PLATE
REPLACEMENT PARTS FOR ALL IHPA MODELS



IHPA Series Hot Plate

ITEM NO.	DESCRIPTION	PART #	12"	24"	36"	48"
1	Adjustable Leg 4"	4000-1	4	4	4	4
***	4in. Adjustable Leg W / Nylon Glide	3901	4	4	4	4
2	Burner Support Bracket Single Burner	13020	1	2	3	4
3	Gas Pressure Regulator 3/4" - NAT.	1050	1	1	1	1
	Gas Pressure Regulator 3/4" - L.P.	1051	1	1	1	1
4	Top Grates Cast Iron 12" X 12"	1233	1 or 2	2 or 4	3 or 6	4 or 8
5	Top Grates Cast Iron 12" X 24"	5005	1	2	3	4
6	Burner Support Bracket Two Burners	30129	1	2	3	4
	Open Burner Rear Complete Assembly	1232	1	2	3	4
7	Open Burner 18" Rear Venturi Only	1184	1	2	3	4
8	Open Burner Head Only	1182	1	2	3	4
9	Open Burner Gasket Only	1006	1	2	3	4
11	Open Burner Air Shutter Only	1007	1	2	3	4
	Open Burner Front Complete Assembly	20050	1	2	3	4
8	Open Burner Head Only	1182	1	2	3	4
9	Open Burner Gasket Only	1006	1	2	3	4
10	Open Burner 6" Front Venturi Only	1183	1	2	3	4
11	Open Burner Air Shutter Only	1007	1	2	3	4
12	Pilot Assembly Double Burner	20001	1	2	3	4
	Pilot Assembly - S/S	20001S	1	2	3	4
	Ferrel 3/16"	30280	1 or 4	2 or 8	3 or 12	4 or 16
	Compression Nut 3/16"	30277	1 or 4	2 or 8	3 or 12	4 or 16
13	Pilot Assembly	10000-9	1 or 2	2 or 4	3 or 6	4 or 8
	Pilot Assembly - S/S	10000-9S	1 or 2	2 or 4	3 or 6	4 or 8
***	IHPA-SU 36 Front Pilot Assy.	33500	1	2	3	4
***	IHPA-SU 36 Rear Pilot Assy.	33501	1	2	3	4
14	Open Burner Orifice Brass - NAT.	2063	1 or 2	2 or 4	3 or 6	4 or 8
	Open Burner Orifice Brass - L.P.	2068	1 or 2	2 or 4	3 or 6	4 or 8
15	Open Burner Gas Valve Brass	1610	1 or 2	2 or 4	3 or 6	4 or 8
16	Adjustable Single Pilot Valve - Brass	1609	1	2	3	4
17	Imperial Logo	35839	1	1	1	1
	Name Plate Speed Nut	36569	2	2	2	2
18	Valve Cover S/S IHPA-1-12	13008	1			
	Valve Cover S/S IHPA-2-12	13009	1			
	Valve Cover S/S IHPA-2-24	13010		1		
	Valve Cover S/S IHPA-4-24	13011		1		
	Valve Cover S/S IHPA-3-36	13012			1	
	Valve Cover S/S IHPA-6-36	13013			1	
	Valve Cover S/S IHPA-4-48	13014				1
	Valve Cover S/S IHPA-8-48	13015				1
19	Burner Knob - Chrome	36330	1 or 2	2 or 4	3 or 6	4 or 8
20	Crumb Tray IHPA-1-12	13000	1			
	Crumb Tray IHPA-2-12	13001	1			
	Crumb Tray IHPA-2-24	13002		1		
	Crumb Tray IHPA-4-24	13003		1		
	Crumb Tray IHPA-3-36	13004			1	
	Crumb Tray IHPA-3-36	13005			1	
	Crumb Tray IHPA-4-48	13006				1
	Crumb Tray IHPA-8-48	13007				1
21	Landing Ledge Stainless Steel 12"	1303	1			
	Landing Ledge Stainless Steel 24"	13031		1		
	Landing Ledge Stainless Steel 36"	13032			1	
	Landing Ledge Stainless Steel 48"	13033				1

IHPA Series Hot Plate

ITEM NO.	DESCRIPTION	PART #	12"	24"	36"	48"
22	Manifold Pipe 12"	855	1			
	Manifold Pipe 24"	1360		1		
	Manifold Pipe 36"	1361			1	
	Manifold Pipe 48"	858				1
	Manifold Pipe 60"	859				
23	Top Grate 12" x 12" - Cast Iron	1233	1 or 2	2 or 4	3 or 6	4 or 8
24	All Purpose Burner Head	2119	1 or 2	2 or 4	3 or 6	4 or 8
	Wok Jet Burner Head	1230J	1 or 2	2 or 4	3 or 6	4 or 8
	Saute Burner Head	1230S	1 or 2	2 or 4	3 or 6	4 or 8
25	Open Burner - Front Venturi (old style)	1231	N/A	N/A	N/A	N/A
26	Open Burner - Rear Venturi (old style)	1232	N/A	N/A	N/A	N/A
27	Open Burner Orifice (NAT.) Gas	2062-1	1 or 2	2 or 4	3 or 6	4 or 8
	Open Burner Orifice (L.P.) Gas	2068	1 or 2	2 or 4	3 or 6	4 or 8
28	Pilot Burner Complete Assembly	21070	1 or 2	2 or 4	3 or 6	4 or 8
	Pilot Burner Complete Assembly - S/S	21070S	1 or 2	2 or 4	3 or 6	4 or 8
	Pilot Burner Complete Assembly - IHPA 2000	2683	1 or 2	2 or 4	3 or 6	4 or 8
	Pilot Burner Assembly	10000-7E	1 or 2	2 or 4	3 or 6	4 or 8
	Pilot Burner Assembly - S/S	10000-7ES	1 or 2	2 or 4	3 or 6	4 or 8
	Pilot Burner Assembly - IHPA 2000	2684	1 or 2	2 or 4	3 or 6	4 or 8
	3/16" Tee - Brass	3097	1	2	3	4
Inlet Tubing	2100-14	1	2	3	4	
Inlet Tubing (S/S) - Optional	2100-14S	1	2	3	4	
29	Burner Hanger	21015	1	2	3	4
30	Wok Ring	21065	Optional	Optional	Optional	Optional
31	Burner Support Bracket - IHPA 2000	2682	1	2	3	4
32	Anti Cloggin Burner Head - IHPA 2000	2119	1 or 2	2 or 4	3 or 6	4 or 8
33	Open Burner - Front Venturi IHPA 2000	1231	1 or 2	2 or 4	3 or 6	4 or 8
	Open Burner - Rear Venturi IHPA 2000	1232	1 or 2	2 or 4	3 or 6	4 or 8