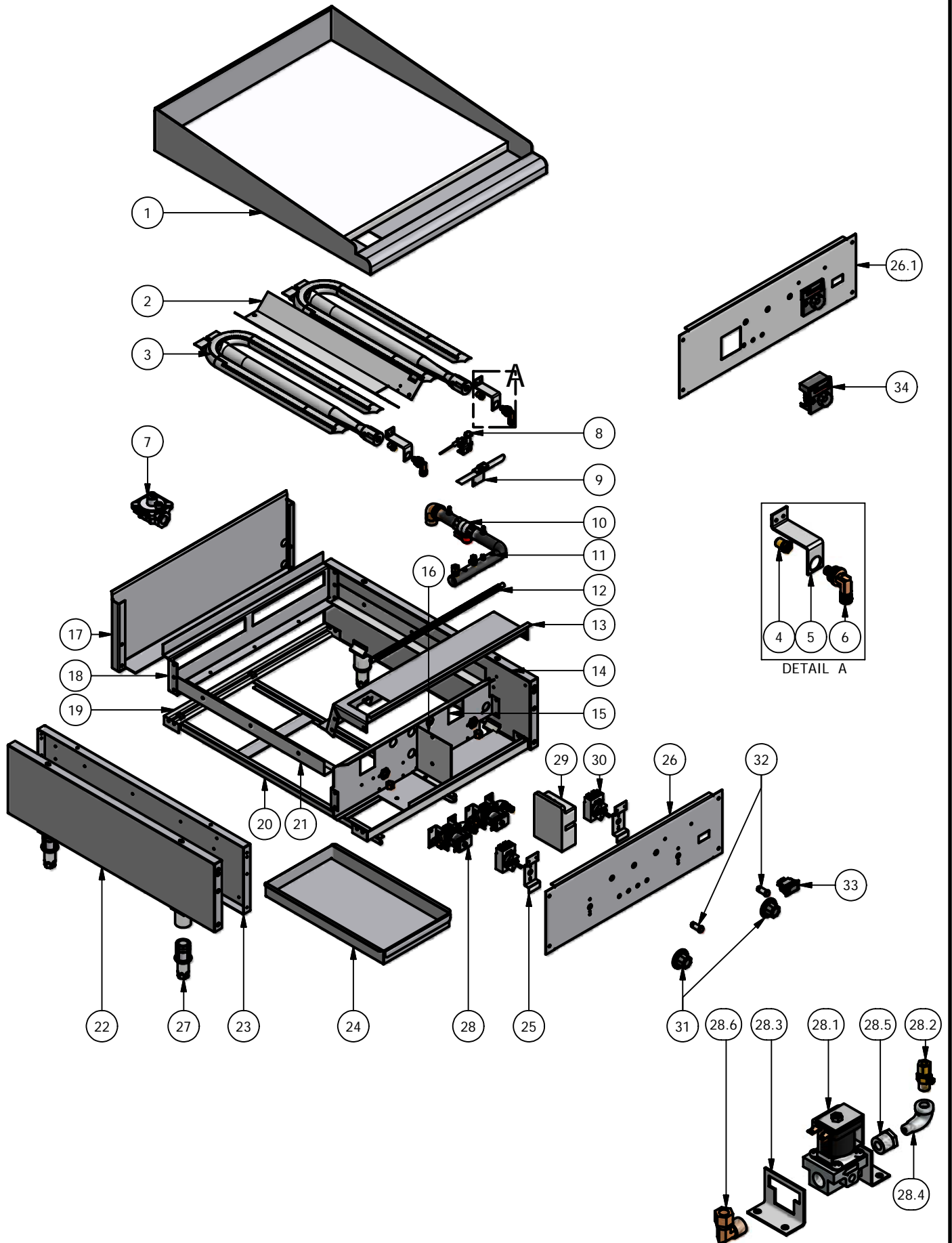


# ISAE / ISCE GRIDDLE



## ISAE/ISCE Griddle Snap Action T-Stat, Electronic Ignition

ITEM NO	DESCRIPTION	PART #	24"	36"	48"	60"	72"
<b>1</b>	Griddle Plate Assembly 24"	12110	1				
	Griddle Plate Assembly 36"	12111		1			
	Griddle Plate Assembly 48"	12112			1		
	Griddle Plate Assembly 60"	12113				1	
	Griddle Plate Assembly 72"	12114					1
<b>2</b>	Aeration Plate For Snap Action Griddle	12095	1	2	3	4	5
<b>3</b>	"U" Burner Assembly W / Air Shutter	2099	2	3	4	5	6
<b>4</b>	#44 Orifice Hood	36998	2	3	4	5	6
	#53 Orifice Hood	2076	2	3	4	5	6
<b>5</b>	Orifice Bracket	12507	2	3	4	5	6
<b>6</b>	3/8 x 3/8 - 27 Orifice Mixer Elbow	37188	2	3	4	5	6
<b>7</b>	Gas Pressure Regulator 3/4" - NAT.	1050	1	1	1	1	1
	Gas Pressure Regulator 3/4" - L.P.	1051	1	1	1	1	1
<b>8</b>	Pilot Burner W/ Ignition Wire Attached - NAT.	1120	1	2	3	4	5
<b>9</b>	Flash Tube For Pilot	1670	1	2	3	4	5
<b>10</b>	3/4 x 3/4 Main Gas Shut Off Valve	35614	1	1	1	1	1
<b>11</b>	Manifold Pipe Assembly	33002	1				
	Manifold Pipe Assembly	14044		1			
	Manifold Pipe Assembly	33003			1		
	Manifold Pipe Assembly	33004				1	
	Manifold Pipe Assembly	33005					1
<b>12</b>	3/16 X 58" S/S Flex Tubing	37001-58	***	***	***	***	***
	3/8 X 43" LG Corrugated S/S Flex Tubing	34679-43	***	***	***	***	***
	3/8 X 46" LG Corrugated S/S Flex Tubing	34679-46	***	***	***	***	***
	3/8 X 52" LG Corrugated S/S Flex Tubing	34679-52	***	***	***	***	***
	3/8 X 58" LG Corrugated S/S Flex Tubing	34679-58	***	***	***	***	***
	3/8 X 69" LG Corrugated S/S Flex Tubing	34679-69	***	***	***	***	***
<b>13</b>	Front Baffel 24"	12504-24	1				
	Front Baffel 36"	12504-36		1			
	Front Baffel 48"	12504-48			1		
	Front Baffel 60"	12504-60				1	
	Front Baffel 72"	12504-72					1
<b>14</b>	Side Panel R / H	Call Factory	1	1	1	1	1
<b>15</b>	Component Panel 24"	12506-24	1				
	Component Panel 36"	12506-36		1			
	Component Panel 48"	12506-48			1		
	Component Panel 60"	12506-60				1	
	Component Panel 72"	12506-72					1
<b>16</b>	Module Bracket	12512	1	2	2	3	3
<b>17</b>	Back Panel 24"	12125	1				
	Back Panel 36"	12126		1			
	Back Panel 48"	12127			1		
	Back Panel 60"	12128				1	
	Back Panel 72"	12129					1
<b>18</b>	Rear Plate Support 24"	20475	1				
	Rear Plate Support 36"	20476		1			
	Rear Plate Support 48"	20477			1		
	Rear Plate Support 60"	20478				1	
	Rear Plate Support 72"	20479					1
<b>19</b>	24" Angle Support (Front and Rear)	32988	1				
	36" Angle Support (Front and Rear)	32989		1			
	48" Angle Support (Front and Rear)	32990			1		
	60" Angle Support (Front and Rear)	32991				1	
	72" Angle Support (Front and Rear)	32992					1
<b>20</b>	Grease Can Guide	32999	1	1	1	2	2

## ISAE/ISCE Griddle Snap Action T-Stat, Electronic Ignition

ITEM NO	DESCRIPTION	PART #	24"	36"	48"	60"	72"
21	Side Burner Baffle	12510	2	2	2	2	2
22	Side Panel L / H	20245	2	2	2	2	2
23	Inner Side R/H	12502	1	1	1	1	1
24	Grease Can	32383	1	1	1	2	2
25	ISAE Thermostat Bracket	20275	2	3	4	5	6
26	ISAE-24in Valve Cover	12505-24	1				
	ISAE-36in Valve Cover	12505-36		1			
	ISAE-48in Valve Cover	12505-48			1		
	ISAE-60in Valve Cover	12505-60				1	
	ISAE-72in Valve Cover	12505-72					1
26.1	ISCE-24in Valve Cover	37347	1				
	ISCE-36in Valve Cover	37348		1			
	ISCE-48in Valve Cover	37349			1		
	ISCE-60in Valve Cover	37350				1	
	ISCE-72in Valve Cover	37351					1
27	Adjustable Foot Only	1045	4	4	4	4	4
28	Solenoid Valve Assy.	See Below					
28.1	Solenoid Valve	1134	3	5	6	8	9
28.2	Adjustable Single Pilot Valve 3/16" Nut And Ferrel	1607	1	2	2	3	3
28.3	Solenoid Valve Bracket	20271	6	10	12	16	24
28.4	90 Degree Street Elbow 1/8"	30253	1	2	2	3	3
28.5	3/8 x 1/8 Hex Bushing	30260	1	2	2	3	3
28.6	3/8 x 3/8 - 90 Degree Male Brass Elbow	30294	5	8	14	19	21
29	Intermittent Pilot Ignition Control	37061	1	2	2	3	3
30	ISAE Thermostat	1160	2	3	4	5	6
31	ISAE Thermostat Knob	1161	2	3	4	5	6
32	Indicator Heat Light	1124	2	3	4	5	6