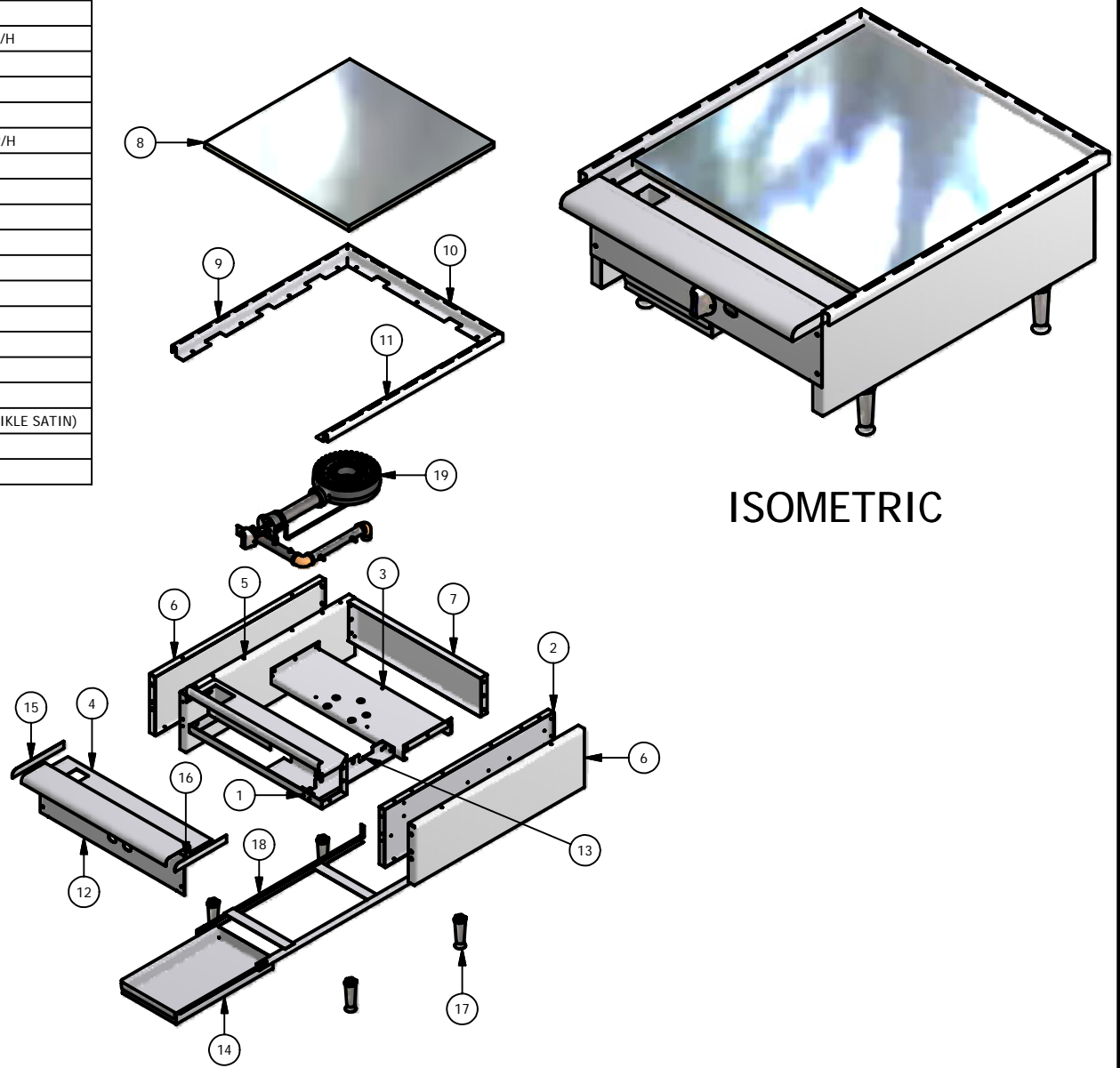



Parts List				
ITEM	QTY	PART NUMBER	TITLE	DESCRIPTION
1	1	32354	24" FRONT BAFFLE	14 GA ALUM
2	1	32351	INNER SIDE PANEL, L/H	INNER SIDE PANEL, L/H
3	1	32358	ITY-24 BURNER SUPPORT	14 GA ALUM'Z
4	1	33376	24" BULL NOSE	16 GA S/S 430#4
5	1	32352	INNER SIDE PANEL R/H	16 GA GALV
6	2	32353	OUTER SIDE PANEL R/H	OUTER SIDE PANEL R/H
7	1	32362	24" BACK PANEL	18GA ALUM
8	1	24 INCH GRIDDLE PLATE	24 INCH GRIDDLE PLATE	3/4" STEEL PLATE
9	1	32370	24" SIDE SPLASH L/H	16 GA S/S 430#4
10	1	32372	24" BACK SPLASH	16GA S/S 430#4
11	1	32371	SIDE SPLASH R/H	16 GA S/S 430#4
12	1	32366	24" VALVE COVER	18 GA S/S 430#4
13	1	32380	MANIFOLD BRACKET SIDE	12 GA HRS.
14	1	32383	GREASE CAN	18 GA S/S 430#4
15	1	35178	ITY END CAP L/H	16 GA S/S 430 #4
16	1	35179	ITY- END CAP R/H	16 GA S/S 430 #4
17	4	4000-1	4" APPLIANCE LEG (NIKLE SATIN)	4" APPLIANCE LEG (NIKLE SATIN)
18	1	GREASE CAN GUIDE	GREASE CAN GUIDE	GREASE CAN GUIDE
19	1	ITY 24 BURNER SYSTEM	ITY 24 BURNER SYSTEM	



ISOMETRIC

TITLE:		ITY 24		PART NO:	24 ITY	SHEET	1
DWG SCALE:	-	DRAWN BY:	JUAN M. ORTEGA	DATE:	11/13/2007	MAT'L:	
TOLERANCES: UNLESS NOTED		RELEASE DATE:		SHEAR SIZE:		DWG SIZE:	A
.X	± .025					REQ	-
.XX	± .015						
.XXX	± .005						
ANGLE	± .5°						
FRACTION	± 1/32						
				IMPERIAL 		<i>MANUFACTURING CO.</i>	
						1128 SHERBORN ST. CORONA, CA. 92879	