

Ice-O-Matic[®]

PARTS MANUAL HOTEL/MOTEL DISPENSER

GC Series Cuber Shown

CD10022
CD10522



ICE Series Cuber Shown

CD20030
CD20530



Mile High Equipment Company
11100 East 45th Avenue
Denver, Colorado, USA 80239

Introduction

Table of Contents

Cabinet Page 2 - 3

Bin Page 4 - 5

Ice Door Assembly Page 6 - 7

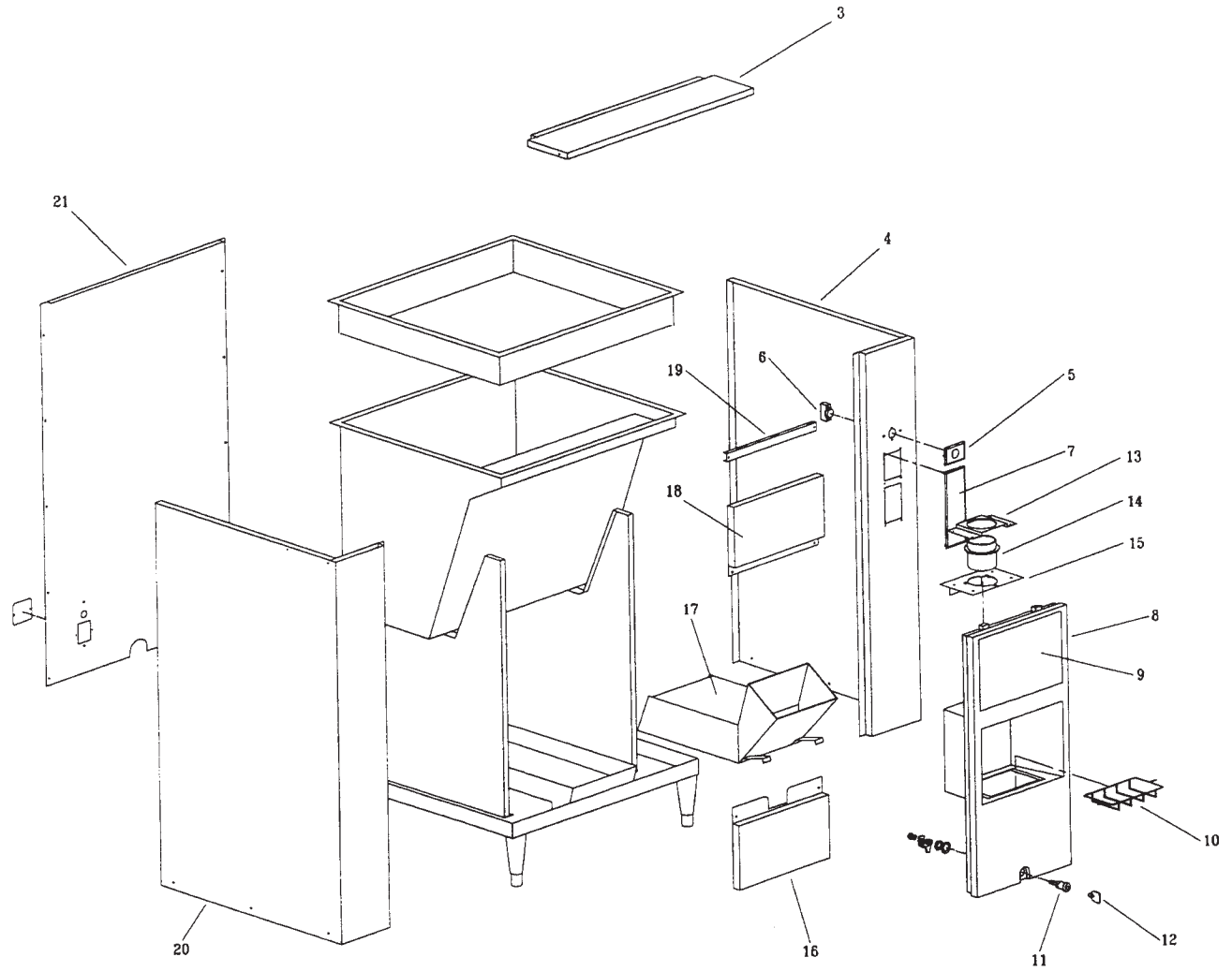
Electrical Page 8 - 9

Coin Mechanism Page 9

Room Key Kit Page 10

Card Kit Page 11

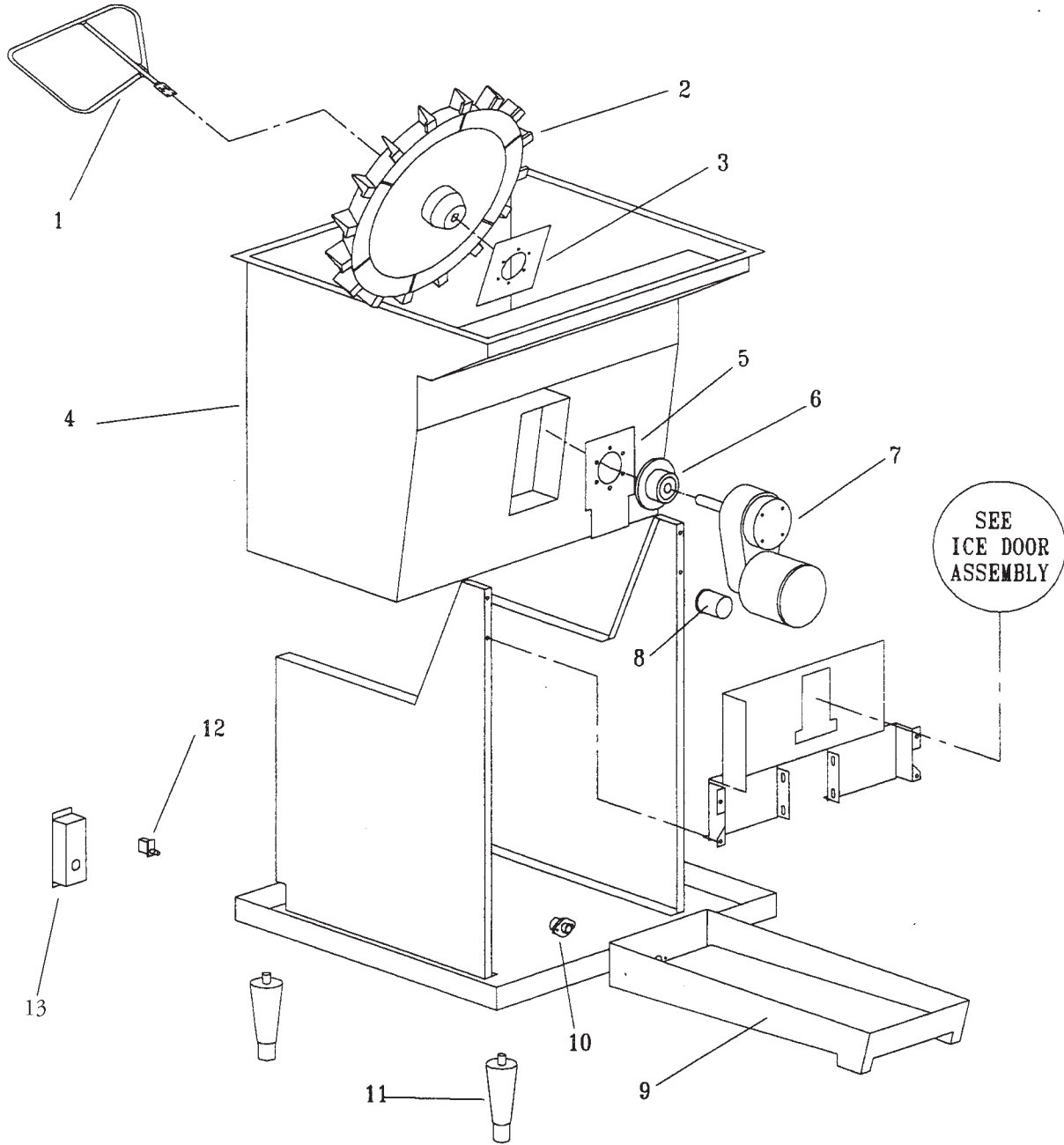
NOTE: Retain this manual for future reference.



PARTS MANUAL

CABINET PARTS

ITEM NUMBER	CD10022	CD10522	CD20030	CD20530	DESCRIPTION
	115/60/1 PART NUMBER	230/50/1 PART NUMBER	115/60/1 PART NUMBER	230/50/1 PART NUMBER	
1	N/A	N/A	N/A	N/A	Not Applicable
2	N/A	N/A	N/A	N/A	Not Applicable
3	80445001	80445001	80654901	80654901	Bin Cover, Front
4	80627301	80627301	80655201	80655201	Right Side Panel
5	80416302	80416302	80416302	80416302	Switch Cover
6	41771800	41771800	41771800	41771800	Vend switch
7	80417802	80417802	80417802	80417802	Cover, Coin/Card Mechanism
8	80627611	80627612	80627609	80627610	Escutcheon Assembly (Includes Items 9 through 12)
9	80632902	80632902	80632902	80632902	Label, Decorative
9A	80628201	80628201	80628201	80628201	Label, Cleaning
9B	80626901	80626902	80626901	80626902	Label, Electrical
10	80417402	80417402	80417402	80417402	Rack, Drain
11	80416401	80416401	80416401	80416401	Lock Assembly
12	80415601	80415601	80415601	80415601	Key
13	80660901	80660901	80660901	80660901	Chute Cover
14	3002306805	3002306805	3002306805	3002306805	Ice Chute
15	80659901	80659901	80659901	80659901	Chute Support
16	80627101	80627101	80627101	80627101	Bottom Panel - Brace
17	80439601	80439601	80439601	80439601	Drain Chute Bottom
17A	80416801	80416801	80416801	80416801	Drain Chute Top
18	80627001	80627001	80659101	80659101	Top Front Panel - Brace
19	80659802	80659802	80659801	80659801	Top Front Brace
20	80627302	80627302	80655202	80655202	Left Side panel
21	80627401	80627401	80655301	80655301	Back Panel



CD10022

CD20030

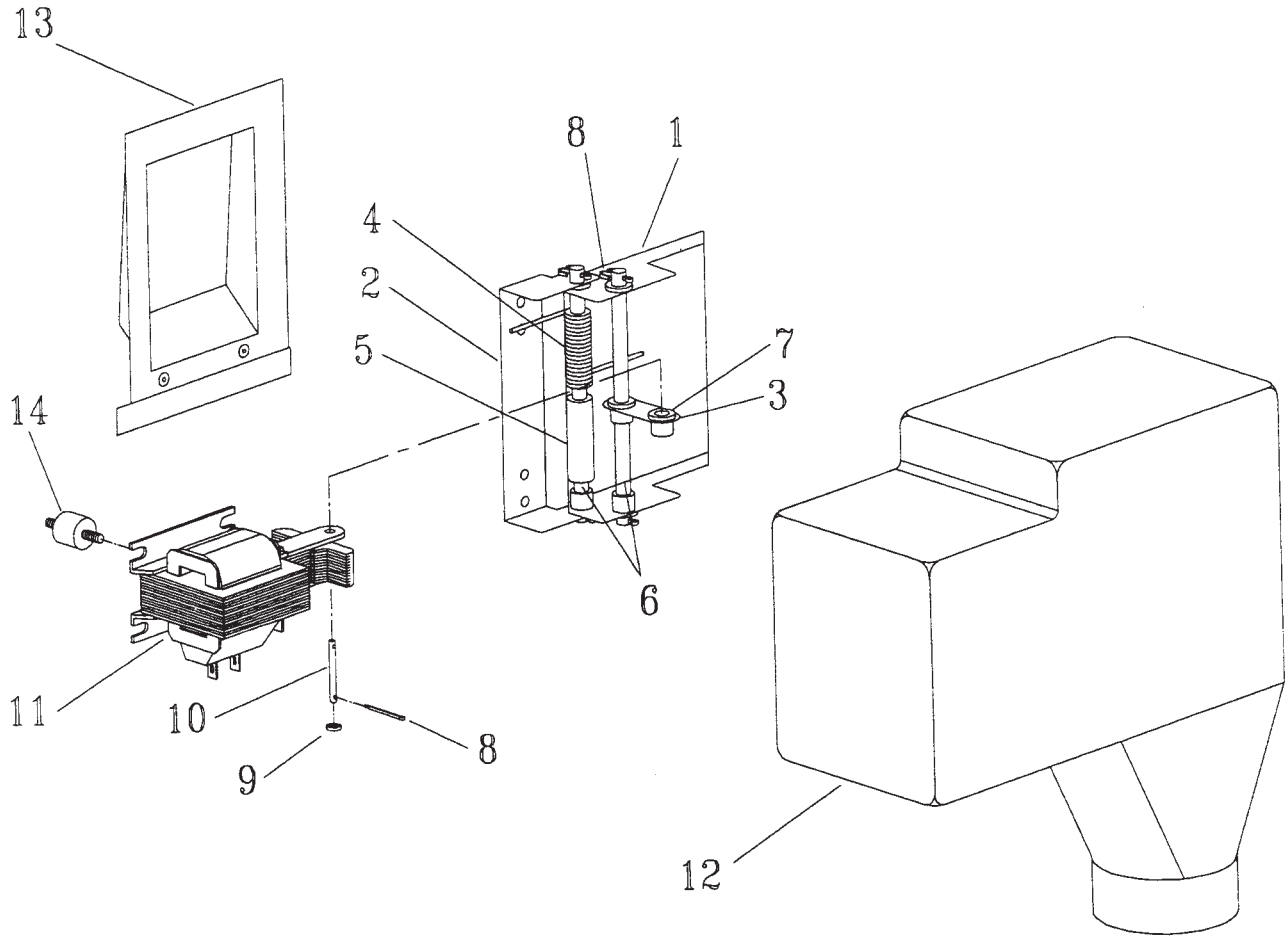
PARTS MANUAL

CD10522

CD20530

BIN ASSEMBLY

ITEM NUMBER	CD10022	CD10522	CD20030	CD20530	DESCRIPTION
	115/60/1 PART NUMBER	230/50/1 PART NUMBER	115/60/1 PART NUMBER	230/50/1 PART NUMBER	
1	30074400	30074400	3002310304	3002310304	Sweep Arm
2	3002304001	3002304001	3002304001	3002304001	Rotor Dispenser
3	3A34810001	3A34810001	3A34810001	3A34810001	“Plate Assembly, Hub Mounting”
4	80628501	80628501	80628502	80628502	Bin Assembly
5	3A34817001	3A34817001	3A34817001	3A34817001	Plate Gear Motor
6	3A34760001	3A34760001	3A34760001	3A34760001	Hub Assembly (Includes 3002307501 Bearing and3002306501 Seal)
6A	3002307501	3002307501	3002307501	3002307501	Bearing
6B	3002306501	3002306501	3002306501	3002306501	Seal
7	3012236901	3012236905	3012236901	3012236905	Gear Motor
8	3012235901	3012235905	3012235901	3012235905	“Capacitor, Gear motor”
9	80416601	80416601	80416601	80416601	Drain Pan
10	36619500	36619500	36619500	36619500	Drain Fitting
11	19979800	19979800	19979800	19979800	Leg Set (Contains 4 Legs)
12	33810100	33810100	33810100	33810100	Switch Interlock
13	80414601	80414601	80414601	80414601	Junction Box



CD10022

CD20030

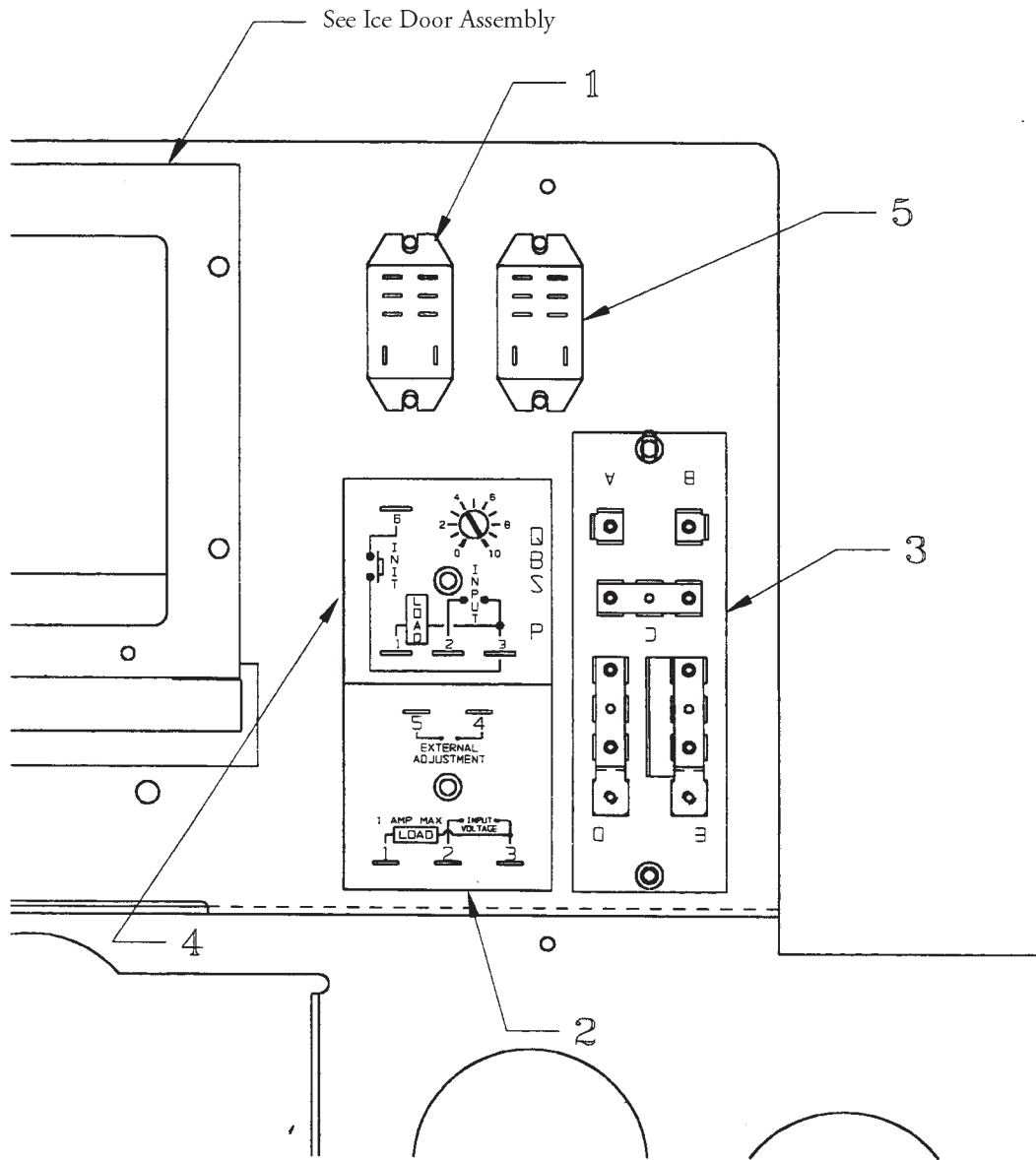
PARTS MANUAL

CD10522

CD20530

ICE DOOR ASSEMBLY

ITEM NUMBER	CD10022	CD10522	CD20030	CD20530	DESCRIPTION
	115/60/1 PART NUMBER	230/50/1 PART NUMBER	115/60/1 PART NUMBER	230/50/1 PART NUMBER	
1	3A34801001	3A34801001	3A34801001	3A34801001	"Door, Ice Chute"
2	3A34802001	3A34802001	3A34802001	3A34802001	"Hinge, Door"
3	3002308902	3002308902	3002308902	3002308902	"Link, Solenoid"
4	3A32690002	3A32690002	3A32690002	3A32690002	"Spring, Torsion"
5	1042990000	1042990000	1042990000	1042990000	"Tubing, Vinyl (.125 Ft Req)"
6	3002308801	3002308801	3002308801	3002308801	Axle .25 Diameter (2 Required)
7	3000463000	3000463000	3000463000	3000463000	Bushing .250 I.D. (6 Required)
8	1061400000	1061400000	1061400000	1061400000	Cotter Hairpin (6 Required)
9	2021170001	2021170001	2021170001	2021170001	Washer
10	3A32685001	3A32685001	3A32685001	3A32685001	"Linkage, Connector"
11	3A32683003	3A32683005	3A32683003	3A32683005	Solenoid
12	3002306701	3002306701	3002306701	3002306701	Ice Door Cover
13	300047300	300047300	300047300	300047300	Spout Adapter Assembly
14	3013088201	3013088201	3013088201	3013088201	Solenoid Vibration Mount (4 Req)



CD10022

CD20030

PARTS MANUAL

CD10522

CD20530

ELECTRICAL CONTROL BOX

	CD10022	CD10522	CD20030	CD20530	
	115/60/1	230/50/1	115/60/1	230/50/1	
ITEM	PART	PART	PART	PART	DESCRIPTION
NUMBER	NUMBER	NUMBER	NUMBER	NUMBER	
1	46292701	46292700	46292701	46292700	Control Relay
2	80629301	80629302	80629301	80629302	Timer (3 seconds ON Every 2 hours)
3	18223900	18223900	18223900	18223900	Terminal Board
4	N/A	N/A	N/A	N/A	Not Applicable
5	N/A	N/A	N/A	N/A	Not Applicable
6	N/A	N/A	N/A	N/A	Not Applicable
7	N/A	N/A	N/A	N/A	Not Applicable

COIN/TOKIN MECHANISM

	CD10022	CD10522	CD20030	CD20530	
	115/60/1	230/50/1	115/60/1	230/50/1	
ITEM	PART	PART	PART	PART	DESCRIPTION
NUMBER	NUMBER	NUMBER	NUMBER	NUMBER	
4	80565701	N/A	80565701	N/A	Timer (Adjustable 1-20 Seconds)
5	46292701	N/A	46292701	N/A	Control Relay
Not Shown	80416304	N/A	80416304	N/A	Switch Cover
Not Shown	80457301	N/A	80457301	N/A	Coin Slide Mechanism
Not Shown	80457302	N/A	80457302	N/A	Micro Switch for Coin Mechanism
Not Shown	80457401	N/A	80457401	N/A	Coin Box

CD10022

CD20030

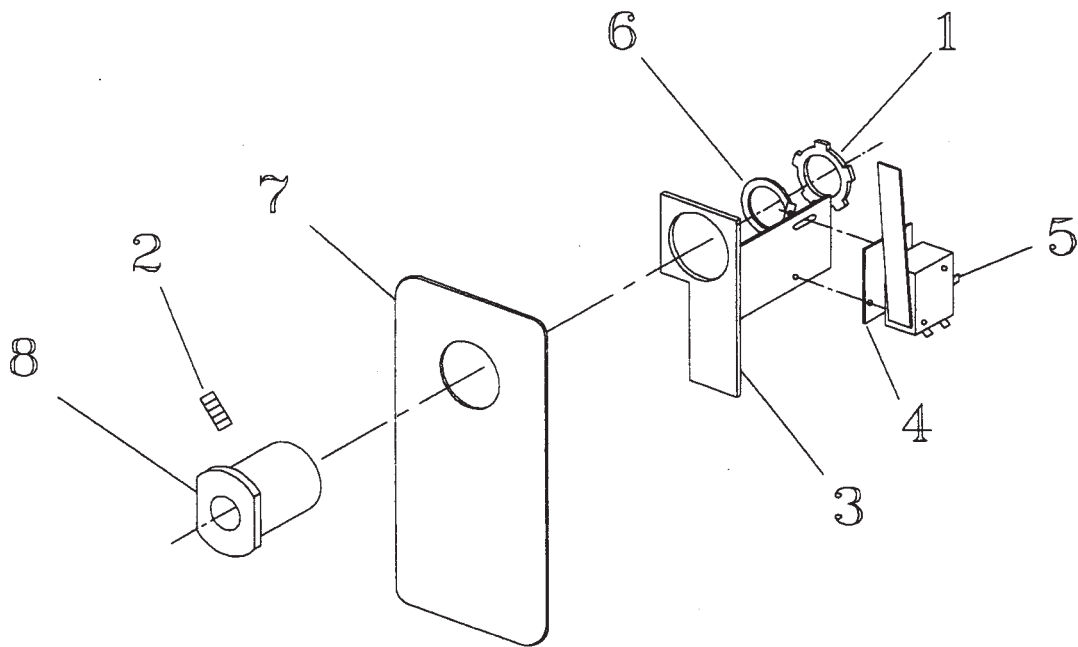
PARTS MANUAL

CD10522

CD20530

ROOM KEY KIT

ITEM NUMBER	CD10022	CD10522	CD20030	CD20530	DESCRIPTION
	115/60/1 PART NUMBER	230/50/1 PART NUMBER	115/60/1 PART NUMBER	230/50/1 PART NUMBER	
1	01002800	N/A	01002800	N/A	Nut Lock Conduit
2	19549700	N/A	19549700	N/A	Set Screw
3	42792800	N/A	42792800	N/A	Bracket, Switch Mount
4	25465600	N/A	25465600	N/A	Barrier Strip
5	26203100	N/A	26203100	N/A	Micro Switch
6	80452001	N/A	80452001	N/A	Plastic Washer
7	80417804	N/A	80417804	N/A	Cover Plate
8	42647900	N/A	42647900	N/A	Lock Housing, Brass



CD10022

CD20030

PARTS MANUAL

CD10522

CD20530

CARD KIT

ITEM NUMBER	CD10022 115/60/1 PART NUMBER	CD10522 230/50/1 PART NUMBER	CD20030 115/60/1 PART NUMBER	CD20530 230/50/1 PART NUMBER	DESCRIPTION
1	80661201	N/A	80661201	N/A	Card Sleeve
2	80661004	N/A	80661004	N/A	Cover Plate Assembly
3	80661401	N/A	80661401	N/A	Micro Switch
4	80662001	N/A	80662001	N/A	Wire Assembly
5	25465600	N/A	25465600	N/A	Barrier Strip

