

Ice-O-Matic[®]

SERVICE PARTS MANUAL

The EF Series Flaker

MODEL-EF250, EF450, EF800



ICE-O-Matic
11100 East 45th Ave
Denver, Colorado 80239

Rev. Date 09/05

Part Number 9081336-01

EF Series Flaker Service Parts

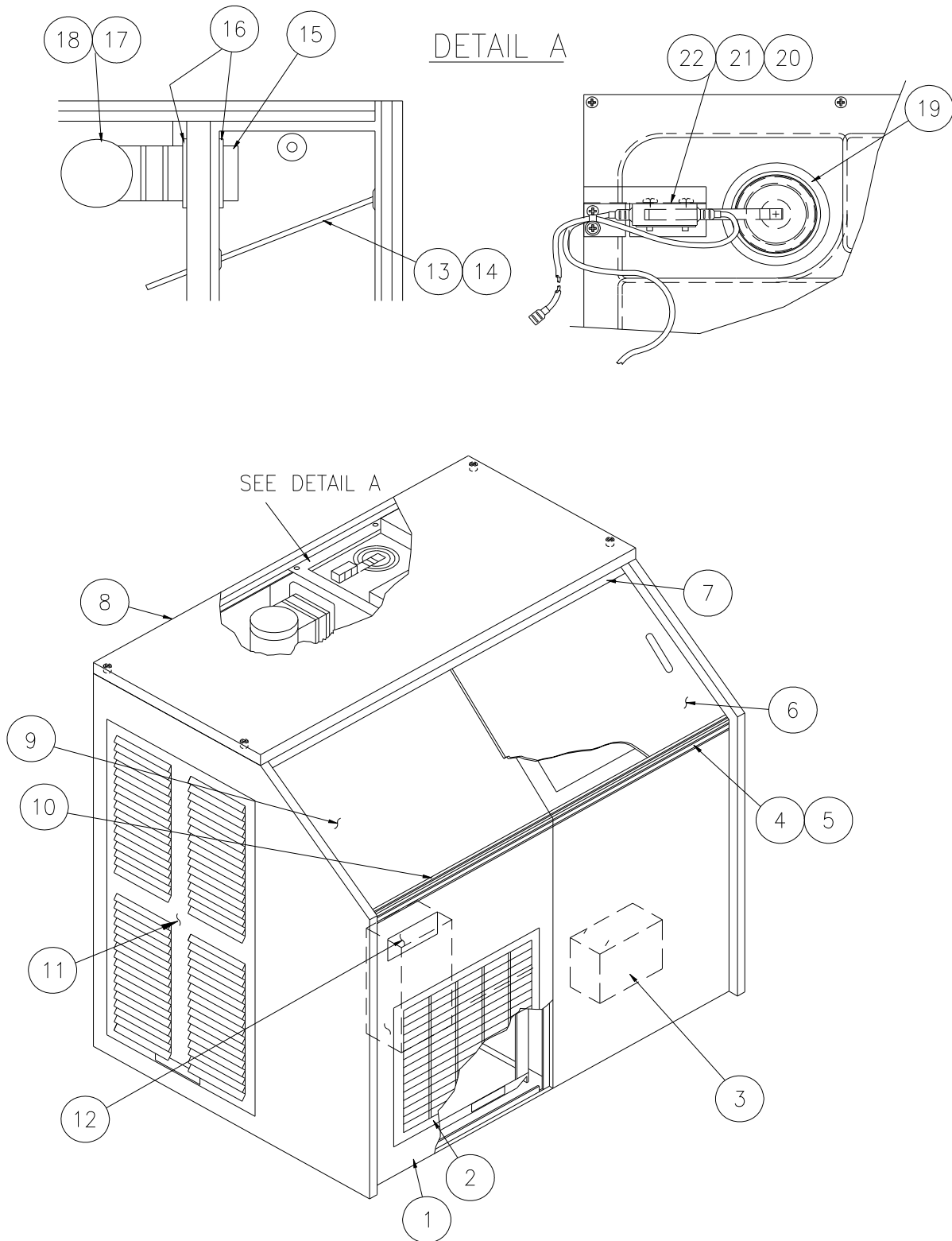
This parts list contains the service parts available for the EF Series Flaker icemakers.

Check the model number on the data plate and refer to the correct listing for the specific component.

Check carefully that the correct part is identified and ordered.

Table of Contents	Page 1
Cabinet	Page 2 - 3
Refrigeration System	Page 4 - 5
Evaporator	Page 6 - 7
Control Box	Page 8

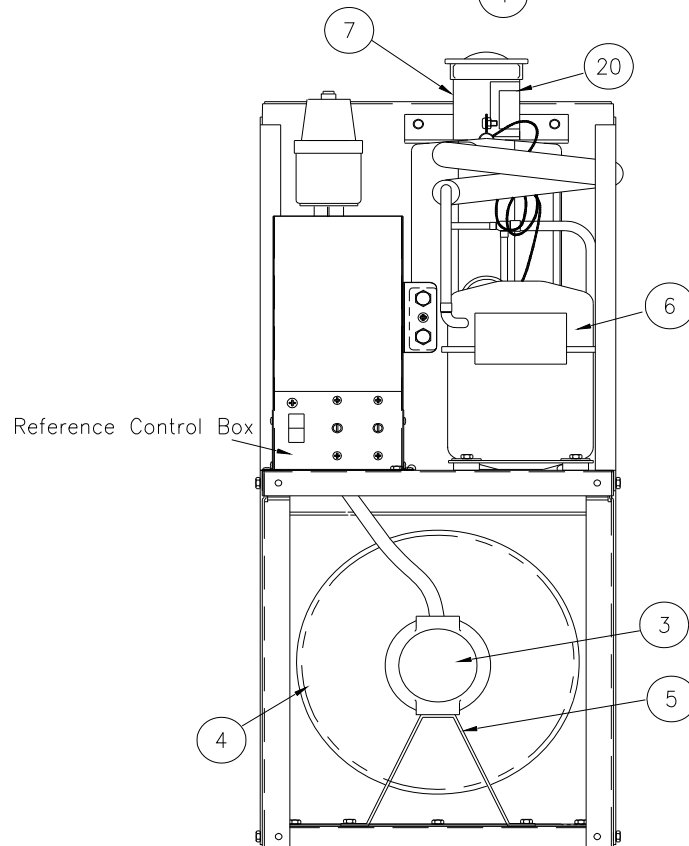
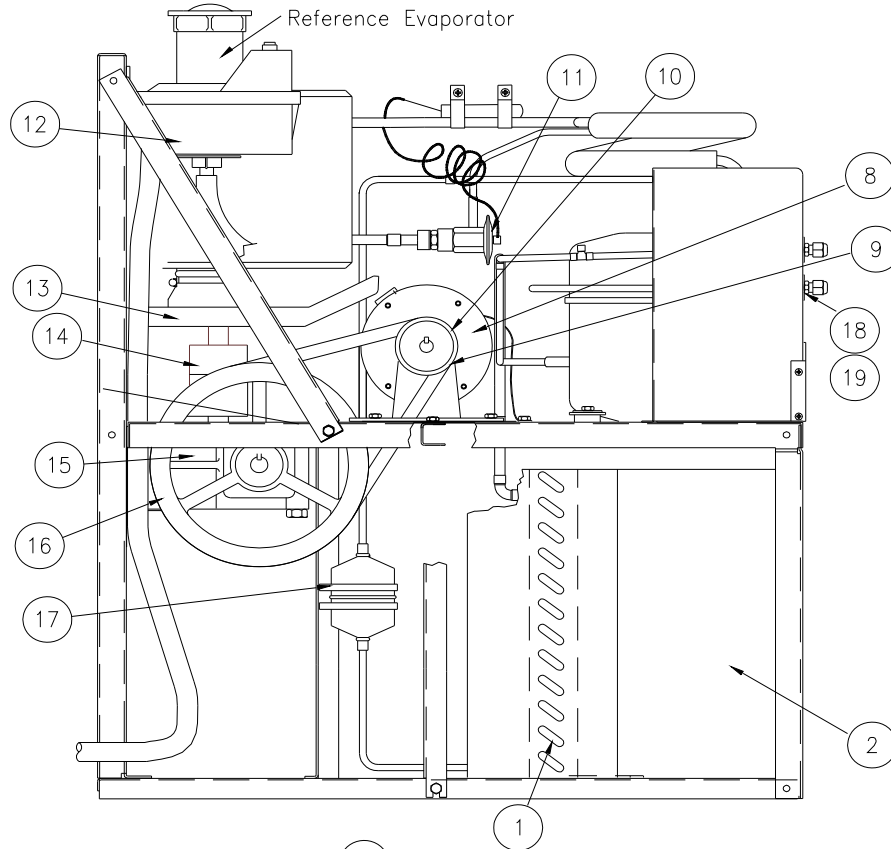
ICE-O-Matic
11100 East 45th Ave.
Denver Co. 80239
866-PUREICE



EF Series Flaker Service Parts

Cabinet

Item	Description	EF250	EF450	EF800
1	Left Hand Front Panel Assembly	2031474-01S	2031474-01S	2031474-01S
2	Louver Panel (Included in 2031474-01)	9051464-01	9051464-01	9051464-01
	Push Nut (Secures Louver Panel)	9031133-02	9031133-02	9031133-02
3	Leg Set (4 Legs)	9021095-01	9021095-01	9021095-01
4	Bottom R/H Door Frame Ext. 32" Cabinet	9061034-01	9061034-01	9061034-01
4	Bottom R/H Door Frame Ext. 38" Cabinet	9061035-01	9061035-01	9061035-01
4	Bottom R/H Door Frame Ext. 48" Cabinet	9061036-01	9061036-01	9061036-01
5	Decorative Trim 32" Cabinet-30.5 Inches	6061001-01	6061001-01	6061001-01
5	Decorative Trim 38" Cabinet-36.5 Inches	6061001-01	6061001-01	6061001-01
5	Decorative Trim 48" Cabinet-46.5 Inches	6061001-01	6061001-01	6061001-01
6	Door Panel 32" Cabinet	9051093-01	9051093-01	9051093-01
6	Door Panel 38" Cabinet	9051093-03	9051093-03	9051093-03
6	Door Panel 48" Cabinet	9051093-07	9051093-07	9051093-07
7	Top Door Frame Extrusion 32" Cabinet	9061029-01	9061029-01	9061029-01
7	Top Door Frame Extrusion 38" Cabinet	9061027-01	9061027-01	9061027-01
7	Top Door Frame Extrusion 48" Cabinet	9061028-01	9061028-01	9061028-01
8	Top Panel 32" Cabinet	3021252-02	3021252-02	3021252-02
8	Top Panel 38" Cabinet	3021230-02	3021230-02	3021230-02
8	Top Panel 48" Cabinet	3021272-02	3021272-02	3021272-02
9	Top L/H Front Panel	3021232-02	3021232-02	3021232-02
10	Bottom L/H Door Frame Ext.	9061033-01	9061033-01	9061033-01
11	Left Hand Access Panel	3021359-02	3021359-02	3021359-02
12	Control Box Cover	3011795-01	3011795-01	3011795-01
13	Bin Control Rod 32" Cabinet	3031209-02	3031209-02	3031209-02
13	Bin Control Rod 38" Cabinet	3031209-03	3031209-03	3031209-03
13	Bin Control Rod 48" Cabinet	3031209-04	3031209-04	3031209-04
14	Rubber Grommet	9051002-10	9051002-10	9051002-10
15	Ice Chute	2021164-01	2021164-01	2021164-01
16	Ice Chute Grommet	9051239-01	9051239-01	9051239-01
17	Legionaire Cap (Insulation)	2991006-01	2991006-01	2991006-01
18	Evaporator Gasket (Chute Gasket)	9051011-01	9051011-01	9051011-01
19	Diaphragm (Secondary Bin Switch)	9051206-01	9051206-01	9051206-01
20	Secondary Bin Switch	3051163-01	3051163-01	3051163-01
21	Twin Speed Nut	9031011-01	9031011-01	9031011-01
22	Machine Screw 6-32 x 7/8	9031008-29	9031008-29	9031008-29



EF Series Flaker Service Parts

Refrigeration

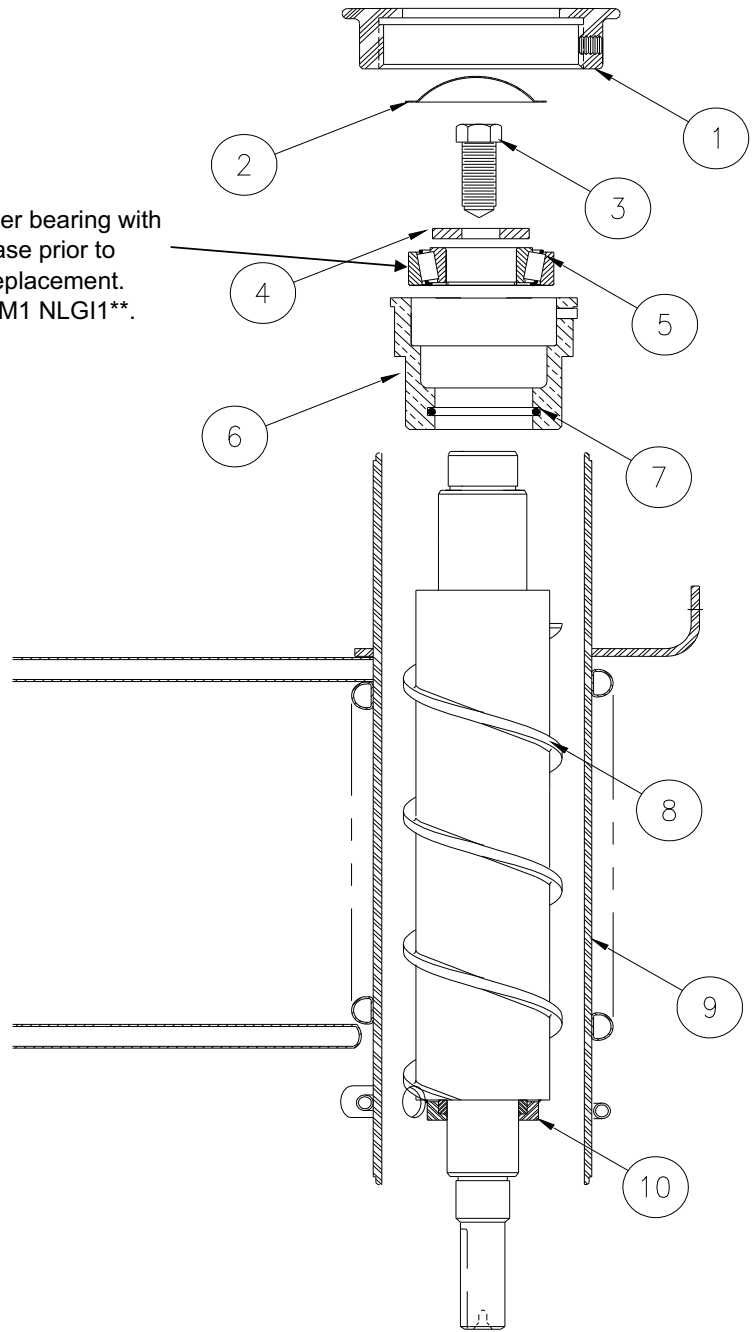
Item	Description	EF250	EF450	EF800
1	Air Condenser	9141054-01	9141002-01	9141055-01
2	Fan Shroud	2021476-01	2021476-01	2021476-01
3	Fan Motor	9161045-04	9161045-04	9161045-04
4	Fan Blade	9131133-02	9131133-02	9131133-01
5	Fan Motor Bracket	9131054-01	9131054-01	9131054-01
6	Compressor Kit	9181098-11	9181095-11	9181086-11
7	Evaporator Assembly	2051172-91S	2051172-91S	2051172-91S
8	Auger Motor	9161093-01	9161093-01	9161093-01
9	V-Belt	9111001-01	9111001-01	9111001-11
10	Auger Motor Pulley	9111002-29	9111002-29	9111002-05
	Auger Motor Pulley Key	9021028-01	9021028-01	9021028-01
11	Expansion Valve - SPORLAN	9151006-09	9151006-09	9151006-23
11	Expansion Valve - ALCO			9151134-09
12	Float (Includes Float and Reservoir)	9131032-01	9131032-01	9131032-01
13	Drip Boot	9051007-01	9051007-01	9051007-01
14	Coupling Assembly (5/8 x 3/4)	2081012-02	2081012-02	2081012-02
	Auger or Gear Reducer Output Key	9021028-01	9021028-01	9021028-01
	Upper Coupler Half (5/8)	9111012-91	9111012-91	9111012-91
	Spyder	9111004-91	9111004-91	9111004-91
	Lower Coupler Half (3/4)	9111004-92	9111004-92	9111004-92
15	Gear Reducer	9171010-03	9171010-03	9171010-03
16	Gear Reducer Pulley	9111002-08	9111002-08	9111002-26
	Gear Reducer Pulley Key	9021028-02	9021028-02	9021028-02
17	Drier	9151004-02	9151004-02	9151004-02
18	Service Valve Core	9091086-02	9091086-02	9091086-02
19	Service Valve Cap	9091086-03	9091086-03	9091086-03
20	Evaporator Gasket (Chute Gasket)	9051011-01	9051011-01	9051011-01

Compressor Components

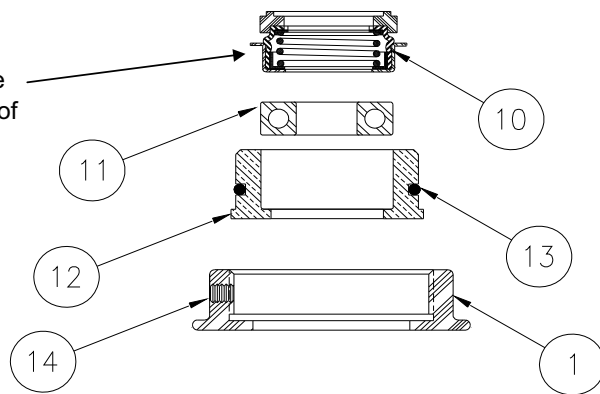
Description	EF250	EF450	EF800
Compressor Kit	9181098-11	9181095-11	9181086-11
Compressor Relay	9181004-25	9181004-22	9181010-14
Overload	9181005-34	9181005-31	9181005-12
Run Capacitor	N/A	N/A	N/A
Start Capacitor	9181003-38	9181003-03	9181003-17

Compressor Kits include the Start Components and Drier

Note: Pack upper bearing with food grade grease prior to installation of replacement. Use Chevron FM1 NLG1**.



Note: Apply a small bead of silicone on the underside of the seal flange prior to installation of replacement.



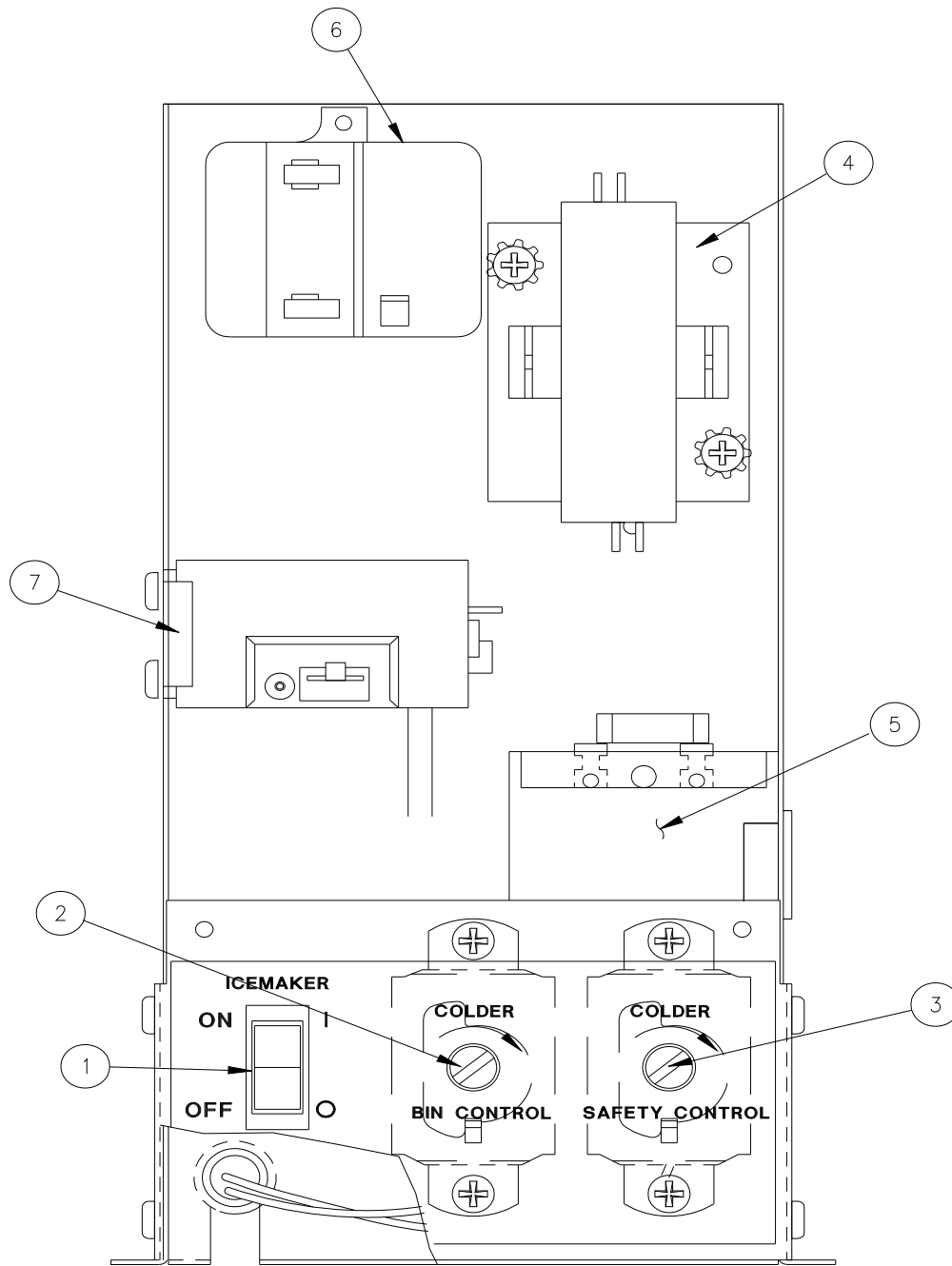
EF Series Flaker Service Parts

Evaporator

Item	Description	EF250	EF450	EF800
1	Nut-Retaining	9131207-01	9131207-01	9131207-01
2	Evaporator Cap	3011011-01	3011011-01	3011011-01
3	Hex Bolt 1/2-20 x 1"	9031001-01	9031001-01	9031001-01
4	Washer	9031004-09	9031004-09	9031004-09
5	Upper Bearing	9121039-02	9121039-02	9121039-02
6	Upper Bearing Housing	9131219-01	9131219-01	9131219-01
7	O-Ring-Upper	9131009-03	9131009-03	9131009-03
8	Auger	9131012-01	9131012-01	9131012-01
9	Evaporator Assembly (Complete)	2051172-91S	2051172-91S	2051172-91S
	Evaporator Barrel Only	2051171-91S	2051171-91S	2051171-91S
10	Seal (Includes Upper and Lower)	9121026-91	9121026-91	9121026-91
11	Lower Bearing	9121001-06	9121001-06	9121001-06
12	Lower Bearing Housing	9131220-01	9131220-01	9131220-01
13	O-Ring-Lower	9131009-08	9131009-08	9131009-08
14	Screw	9031001-36	9031001-36	9031001-36
	Evap. Bearing and Seal Kit	1051111-02	1051111-02	1051111-02
	**Grease for Upper Bearing	6051062-01	6051062-01	6051062-01

**Bearing Grease must be ordered in 14 oz quantities

Note: The Evaporator Assembly includes all internal components.



Item	Description	EF250	EF450	EF800
1	Rocker Switch (On-Off)	9101139-04	9101139-04	9101139-04
2	Thermostat-Bin Control	9041004-01	9041004-01	9041004-01
3	Thermostat-Safety Control	9041002-01	9041002-01	9041002-01
4	Contactor	9101002-03	9101002-03	9101002-03
5	Start Capacitor	See Page 5	See Page 5	9181003-17
6	Potential Relay	N/A	N/A	9181010-14
7	High Pressure Control	9041095-01	N/A	N/A
8	Control Box Cover-Not Shown	3011795-01	3011795-01	3011795-01

