

Ice-O-Matic[®]

SERVICE PARTS MANUAL ICE UNDERCOUNTER SERIES CUBERS MODEL-ICEU060



**Mile High Equipment
11100 East 45th Ave
Denver, Colorado 80239**

Part Number 9081291-02

Rev 08/05

ICEU060 Undercounter Service Parts

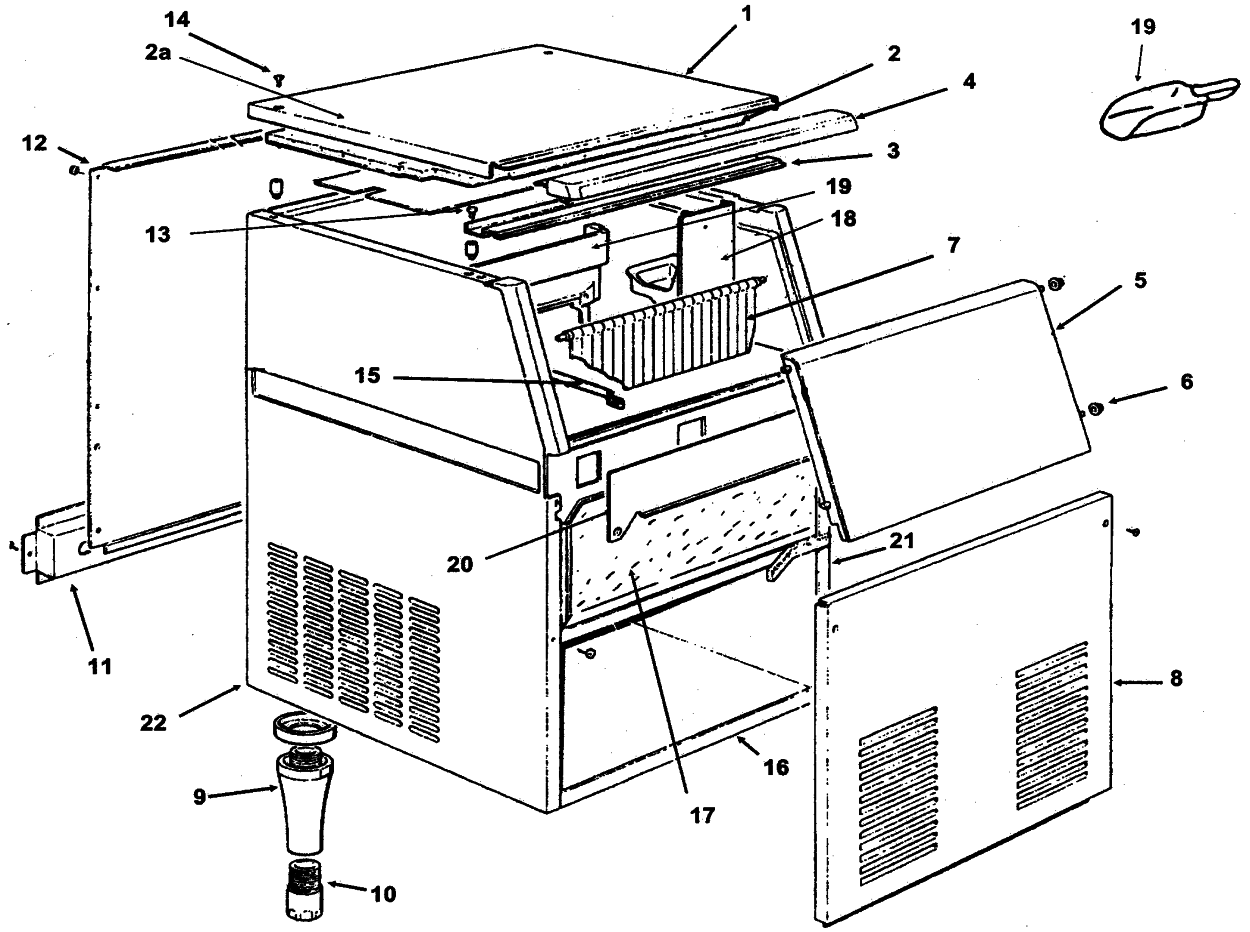
This parts list contains the service parts available for the ICEU060 Undercounter icemakers.

Check the model number on the data plate and refer to the correct listing for the specific component.

Check carefully that the correct part is identified and ordered.

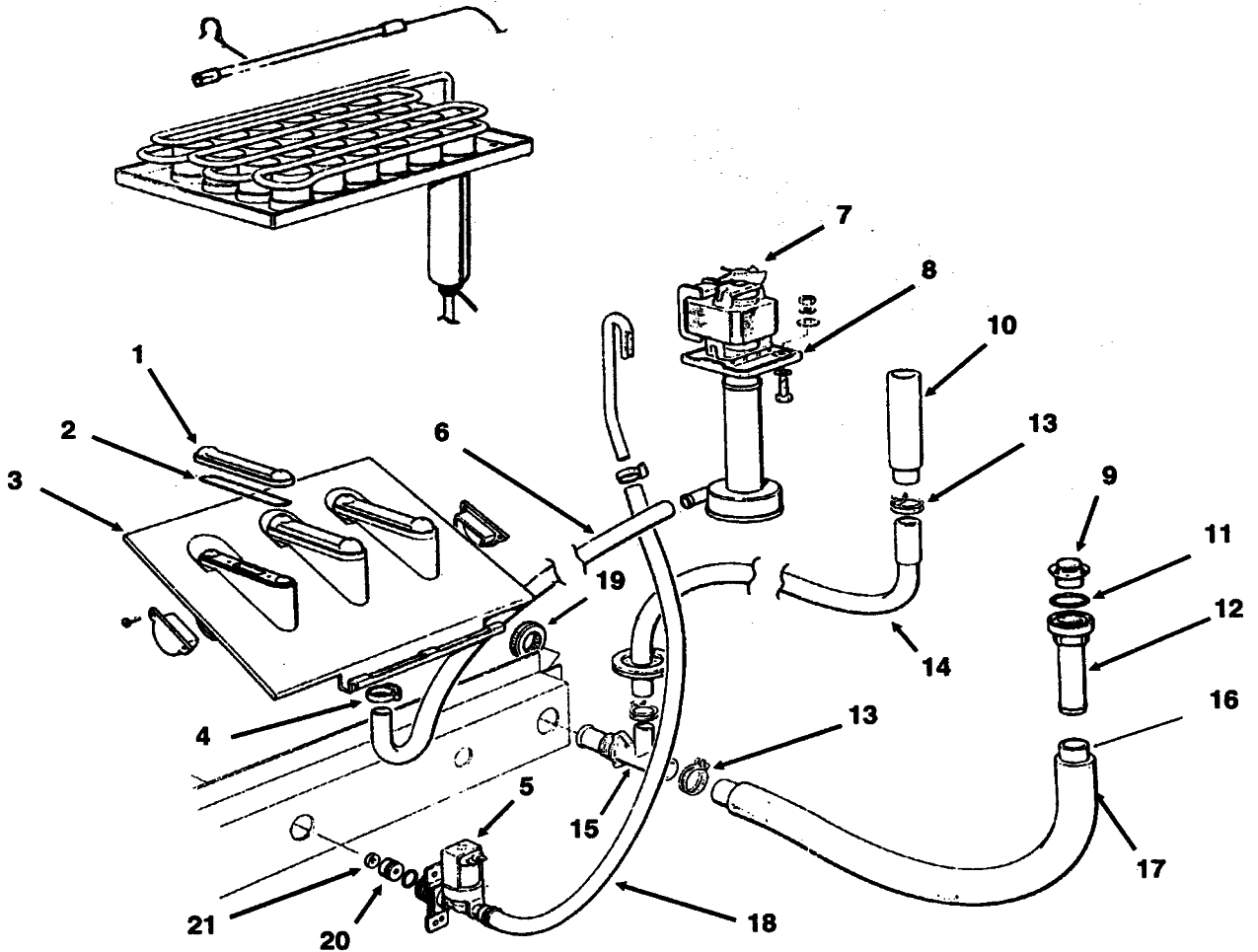
Table of Contents	Page 1
Cabinet	Page 2
Water System	Page 3
Refrigeration	Page 4
Control Box	Page 5

Ice-O-Matic
11100 East 45th Ave.
Denver Co. 80239
800-423-3367



Item No.	Description	Part Number
1	Top Panel	1011337-01
2	Insulation	1011137-02
2a	Cover	1011137-03
3	Brace	1011337-04
4	Upper Door Frame	1011337-05
5	Door	1011337-06
6	Door Bushing (4)	1011337-07
7	Curtain	1011337-08
8	Front Panel	1011337-09
9	Leg	1011337-10
	Leg Spacer	1011337-11
10	Leg Leveler	1011337-12

Item No.	Description	Part Number
11	Lower Back Panel	1011337-13
12	Back Panel	1011337-14
13	Screw	1011337-15
14	Screw	1011337-16
15	Bin Thermostat Brkt.	1011337-17
16	Unit Frame	1011337-18
17	Storage Bin Assy.	1011337-19
18	Pump Bracket	1011337-20
	Curtain Bracket	1011337-21
19	Scoop	1011337-22
20	Front Plate	1011337-23
21	Right Side Panel	1011337-71
22	Left Side Panel	1011337-72



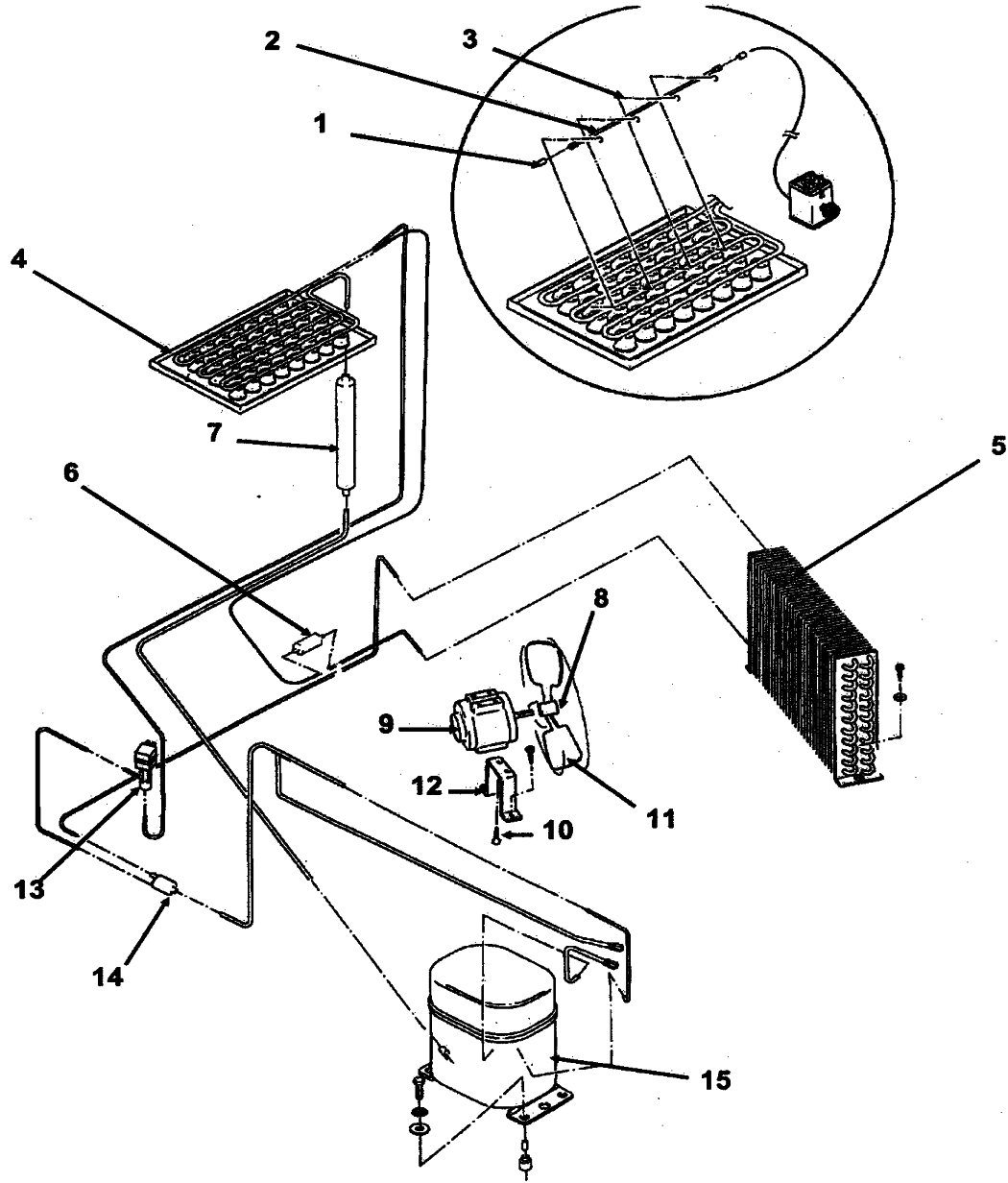
Item No.	Description	Part Number
1	Spray Nozzle (Set of 3)*	1011337-24
2	Gasket	1011337-25
3	Spray System	1011337-26
4	Hose Clamp	1011337-27
5	Inlet Water Valve	1011337-28
6	Hose, Pump To Jets	1011337-29
7	Pump Fan	1011337-30
8	Water Pump	1011337-31
9	Drain Top	1011337-32
10	Stand Pipe	1011337-33
11	O-Ring	1011337-34
12	Drain Tube Fitting	1011337-35

Note: Set of 3 Spray Nozzles includes 3 Gaskets

Item No.	Description	Part Number
13	Hose Clamp	1011337-36
14	Drain Tube	1011337-37
15	Drain Fitting	1011337-38
16	Bin Drain Hose	1011337-39
17	Drain Hose Insulation	1011337-40
18	Supply Hose	1011337-41
19	Ring Nut	1011337-42
20	Included with Item 5	N/A
21	Included with Item 5	N/A

Not Shown

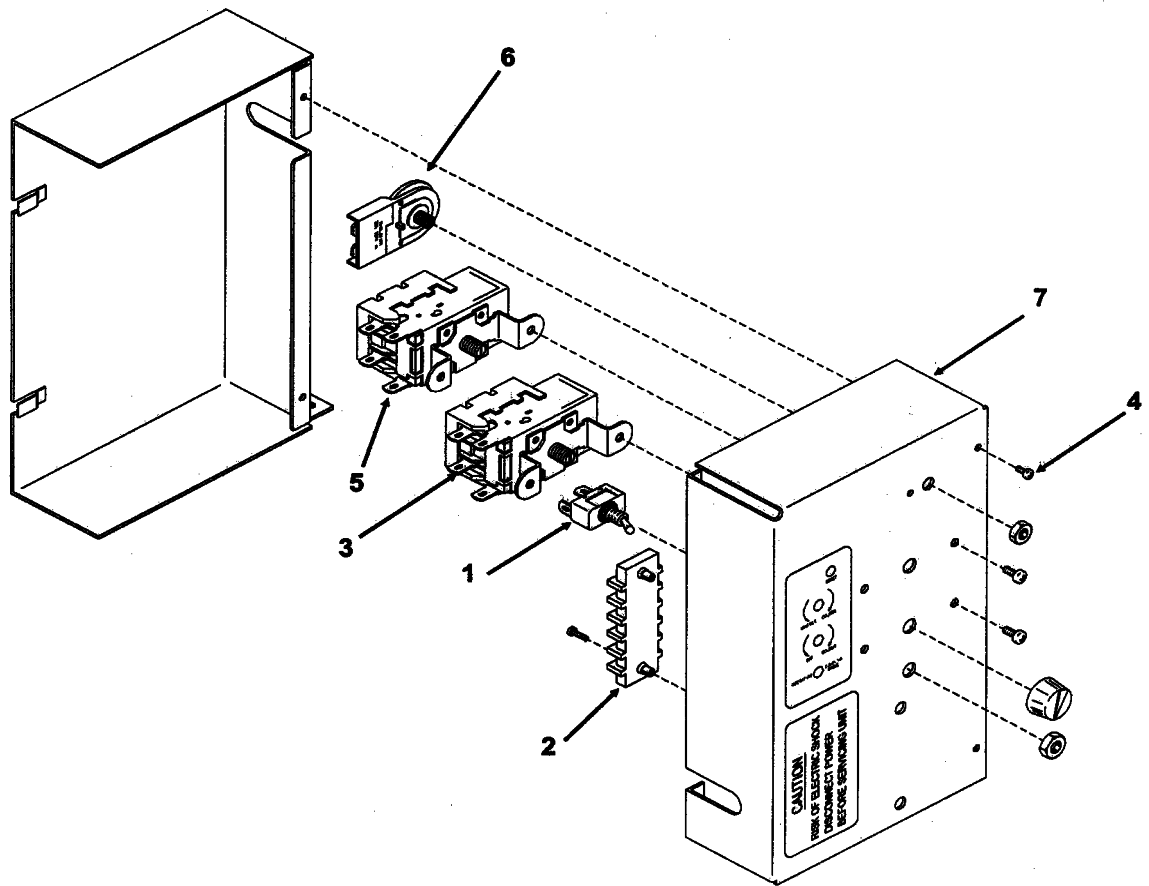
22	Water Inlet Adapter	1011337-43
----	---------------------	------------



Item No.	Description	Part Number
1	Tube Cap	1011337-44
2	Tube	1011337-45
3	Tube Clip	1011337-46
4	Evaporator	1011337-47
5	Condenser	1011337-48
6	Drier	1011337-49
7	Acc/Suction Line*	1011337-50
8	Fan Nut	1011337-51
9	Fan Motor	1011337-52
10	Screw	1011337-53

Item No.	Description	Part Number
11	Fan Blade	1011337-54
12	Fan Motor Bracket	1011337-55
13	Hot Gas Valve Body	1011337-56
	Hot Gas Valve Coil	1011337-57
14	Strainer	1011337-58
15	Compressor (Tecumseh)	1011337-59
	Start Capacitor	1011337-60
	Relay	1011337-61
	Overload	1011337-62

*NOTE: Includes Capillary Tube



Item No.	Description	Part Number
1	Toggle Switch	1011337-63
2	Terminal Board	1011337-64
3	Bin Thermostat	1011337-65
4	Screw	1011337-66
	Lockwasher	1011337-67
5	Cube Size Control	1011337-68
6	High Temperature Cut-out	1011337-69
7	Control Box Cover	1011337-70