

Ice-O-Matic[®]

SERVICE PARTS MANUAL FOR MODEL IOD16022 AND IOD22030 COUNTER TOP DISPENSER



Mile High Equipment
11100 East 45th Ave
Denver, Colorado 80239

Print Date 03/03

Part Number 9081286-01

To the owner or user: This product manual is a source of information about the installation, start up, cleaning, maintenance and repair of the product. The IOD 16022 and IOD 22030 are ice only countertop dispensers designed to use 22 inch wide and 30 inch wide respectively Ice-O-Matic cubed ice machines as their source of ice. Ice from the cuber falls into the insulated bin where it is stored until needed. When the user pushes the dispense button, a rotating wheel scoops the ice up to the front of the bin where there is an outlet to the ice chute. Ice will dispense continually for as long as the push button or lever is depressed or until the bin is empty.

Table of Contents

Table of Contents	Page 1
Cabinet	Page 2-3
Cabinet Front	Page 4-5
Control Box	Page 6-7
Ice Door and Solenoid Assembly	Page 8-9
Wiring Diagram	Page 10
Wiring Schematic	Page 11

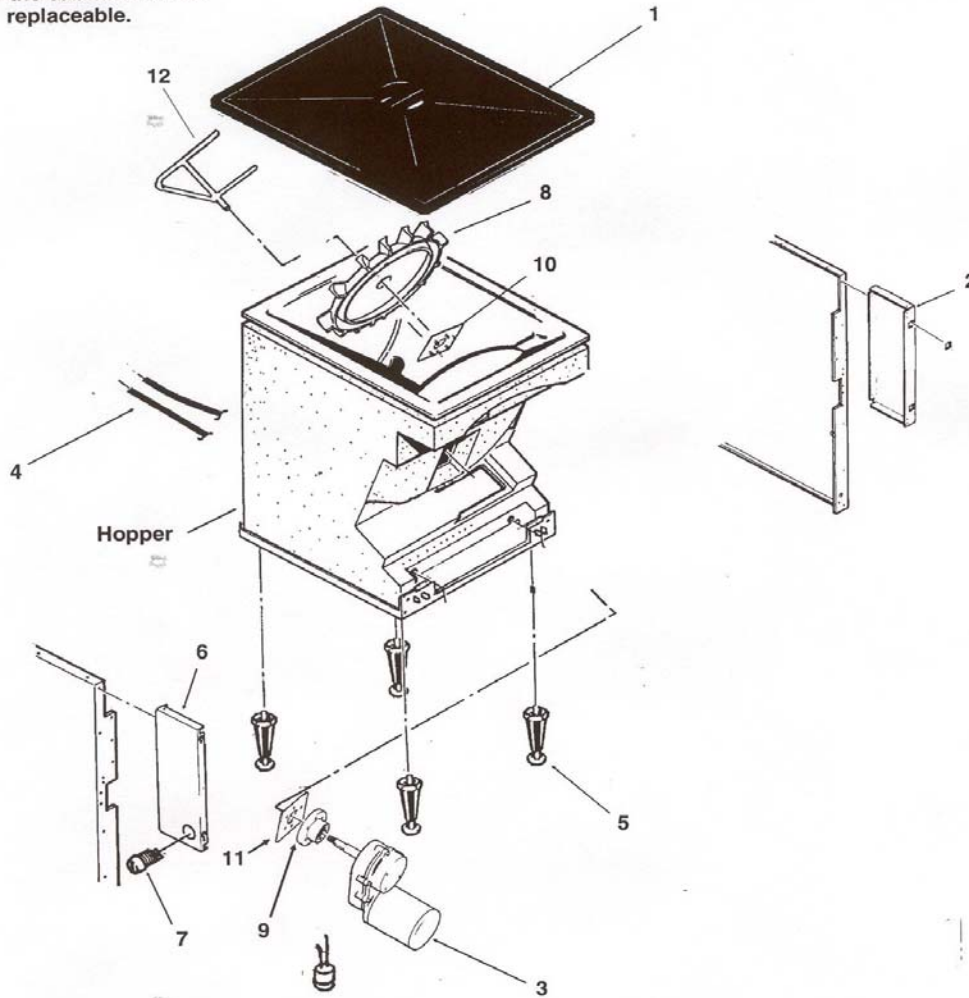
Note the warning symbol where it appears in this manual. It is an alert for important safety information on a hazard that might cause serious injury.



IOD 16022 and 22030 Service Parts
IOD 16022 and 22030

Cabinet

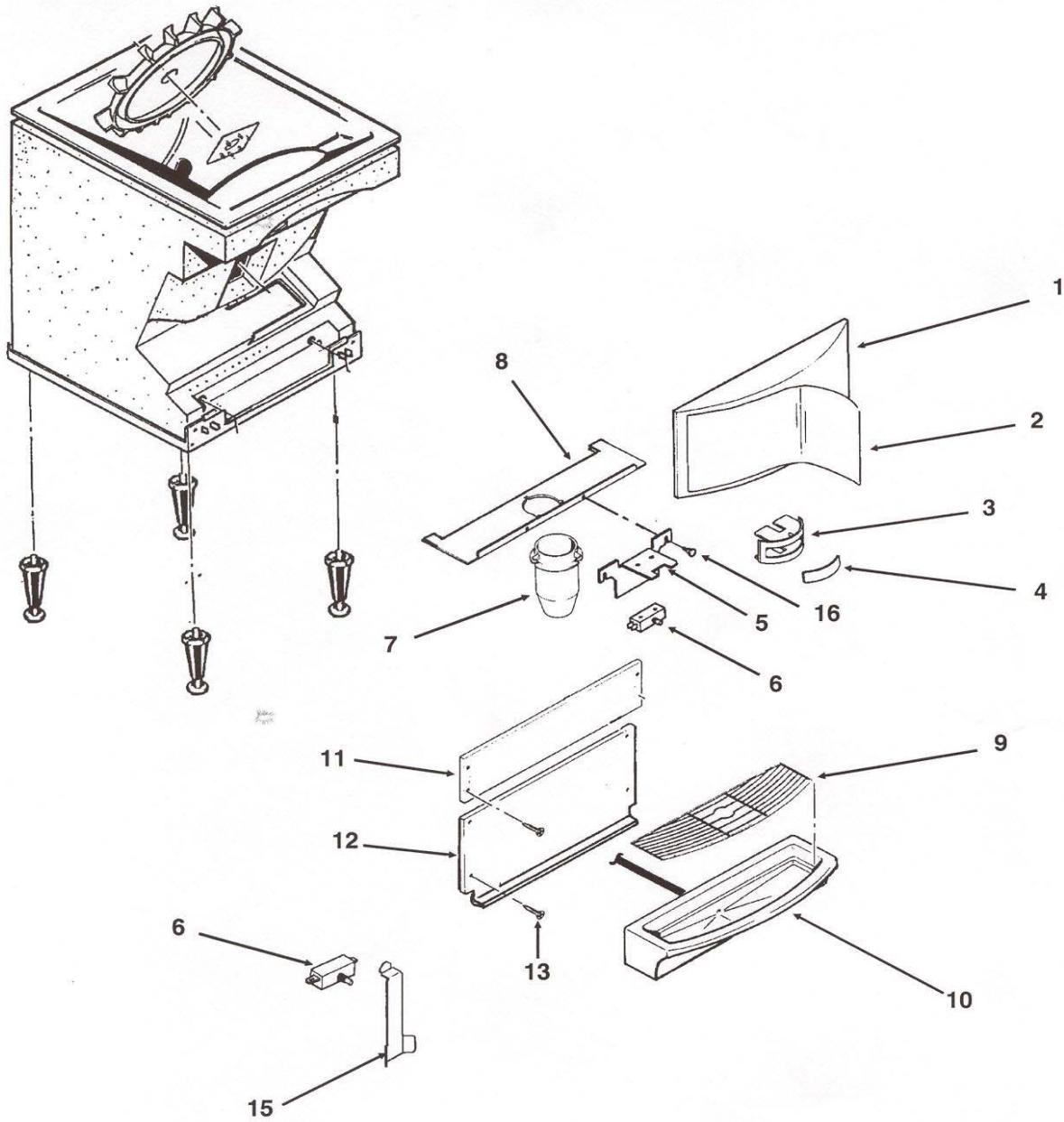
Note: The hopper assembly
and/or the cabinet are not
replaceable.



IOD 16022 and 22030 Service Parts
IOD 16022 and 22030

Cabinet

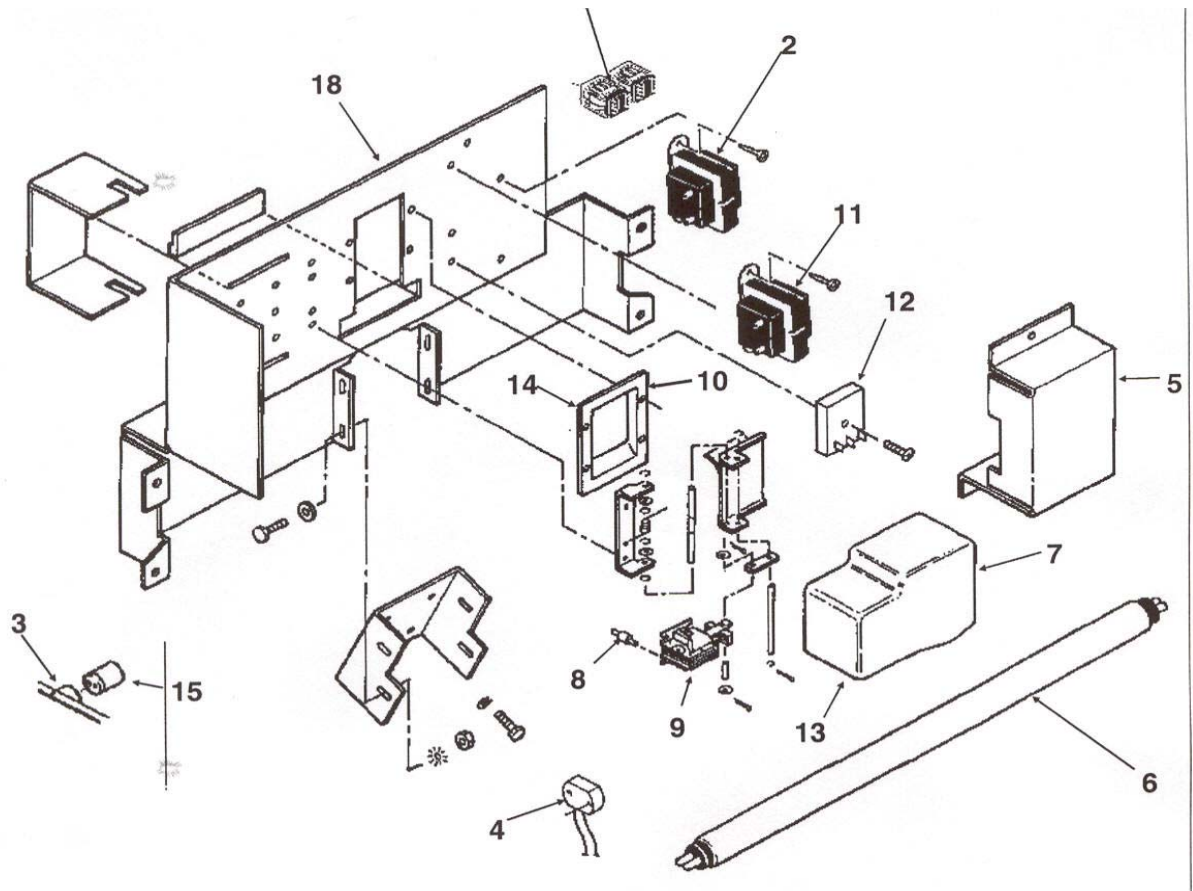
		IOD16022	IOD22030
Item Number	Description	Part Number	Part Number
1	Black Lid	30064502	30064512
2	Side Panel Extension	30074312	30074312
3	Gearmotor Assembly	3012236901	3012236901
4	Drain Hose	N/A	N/A
5	Leg Kit	2066110000	2066110000
6	Side Panel Extension	30074311	30074311
7	Switch, Lock and Key	1117390000	1117390000
8	Rotor	3002304001	3002304001
9	Hub Assembly	3A34760001	3A34760001
10	Mounting Plate, Hub	3A34810001	3A34810001
11	Gearmotor Plate	3A34817001	3A34817001
12	Sweep Arm	3002310305	3002310305



IOD 16022 and 22030 Service Parts
IOD 16022 and 22030

Cabinet Front

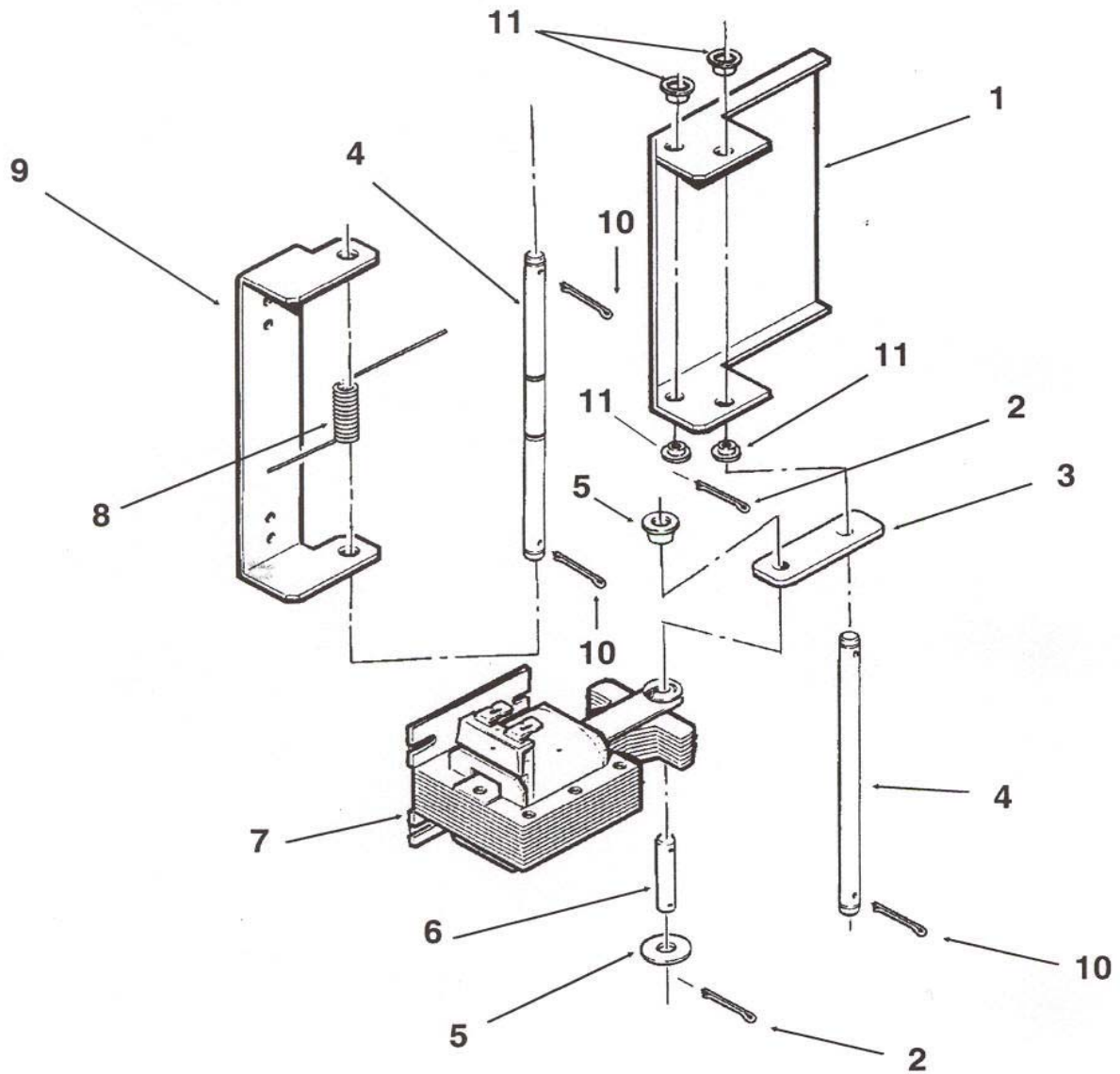
Item Number	Description	IOD16022	IOD22030
		Part Number	Part Number
1	Cover, Merch. Black-Lever	30064206	30064226
	Cover, Merch. Black-Push Button	30064218	30064238
	Screws For Cover	30069901	30069901
2	Merch. Sign	3015075218	3015075418
3	Bezel for Ice Switch Button	3002307101	3002307101
4	Button, Ice Switch	3002307200	3002307200
5	Push Button Switch Bracket	30072700	30072700
6	Microswitch (Push Button)	30073000	30073000
6	Microswitch (Lever)	3012157001	3012157001
7	Ice Chute	3002306801	3002306801
8	Ice Chute Panel	30072800	30072830
9	Grill/Cup rest	3000570132	30077031
10	Black Drain Pan Assembly	30061102	30061122
11	Panel, Lever	3A34794005	3A34795009
	Panel, Push Button	3034794006	3A34795010
12	Splash Panel	30061810	30076010
13	Screw	30073200	30073200
14	Boot For Microswitch	3012237201	3012237201
15	Lever (Lever Models Only)	3A34806001	3A34806001
16	Thumbscrew	3003072706	3003072706



IOD 16022 and 22030 Service Parts
IOD 16022 and 22030

Control Box

Item Number	Description	IOD16022	IOD22030
		Part Number	Part Number
1	Relay	3000480001	3000480001
2	Transformer	1193210500	1193210500
3	Starter Socket	2021610000	2021610000
4	Bulb Holder	3012238501	3012238501
5	Control Box Cover	30073510	30073530
6	Fluorescent Tube	3012237701	3012237702
7	Cover	3002306701	3002306701
8	Rubber Mounts	3013088201	3013088201
9	Solenoid	3A32683003	3A32683003
10	Door Gasket	3013059500	3013059500
11	Transformer	N/A	N/A
12	Agitation Timer	3012237101	3012237101
13	Thumb Screw	3000522001	3000522001
14	Spout Adapter Assembly	3000477000	3000477000
15	Starter	3012238601	3012238601
16	Ballast (Not Shown)	3012238002	3012238002



IOD 16022 and 22030 Service Parts
IOD 16022 and 22030

Ice Door and
Solenoid Assembly

		IOD16022	IOD22030
<u>Item Number</u>	<u>Description</u>	<u>Part Number</u>	<u>Part Number</u>
1	Ice Door	3A34801001	3A34801001
2	Cotter Pin (6 Req.)	1061400000	1061400000
3	Solenoid Link	3002308902	3002308902
	Solenoid Link Bushings	3000463000	3000463000
4	Long Axle	3002308801	3002308801
5	Washer	1034580000	1034580000
6	Axle, Linkage	3A32685001	3A32685001
7	Solenoid	2066990000	2066990000
8	Torsion Spring	3A32690002	3A32690002
9	Door Hinge	3A34802001	3A34802001
10	Cotter Pin	1061400000	1061400000
11	Plastic Hinge Bushing (6 Req.)	3000463000	3000463000
	Kit, Door Assembly	3000482000	3000482000

