



MF11256 ON B55

## Features

- Only 21" (533 mm) wide.
- Produces up to 1115 lbs (506 kg) of ice per day.
- *SystemSafe* load monitoring system constantly checks workload on gearbox - shutting down system before a problem develops and preventing costly repairs.
- Water sensor eliminates low or no water failures and cannot be affected by adverse water conditions.
- Rugged stainless steel evaporator and auger ensures reliability.
- Industrial-grade roller bearings and heavy-duty gearbox provide years of trouble-free service.

## Options & Accessories

WATER FILTERS			
Ice Machine Model	Manifold		Inline
	System	Replacement	System
MF11255	IFQ2	IOMQ (2)	n/a
MF11256			

## Ice Maker Warranty

Every Ice-O-Matic ice maker is backed by a warranty that provides both parts and labor coverage.

- Three years **Parts and Labor**.
- Five years **Parts** coverage on the compressor.

## Ice Form



FLAKED ICE

## Bin Chart *Kits for Combining Wider Bins with Smaller Models*

ICE STORAGE BINS										
Model No.	B25	B40	B42	B55	B70	B90	B100	B120	B150	B170
Capacity	242 lbs (110 kg)	344 lbs (156 kg)	351 lbs (160 kg)	510 lbs (232 kg)	741 lbs (337 kg)	1023 lbs (465 kg)	854 lbs (388 kg)	1142 lbs (519 kg)	1447 lbs (658 kg)	1807 lbs (821 kg)
Width	30 in (762 mm)	30 in (762 mm)	22 in (559 mm)	30 in (762 mm)	30 in (762 mm)	30 in (762 mm)	48 in (1219 mm)	48 in (1219 mm)	60 in (1524 mm)	60 in (1524 mm)
MF11255	KBT19		KBT24	KBT19	n/a		KBT23		n/a	
MF11255 (2)	n/a			KBT22						
MF11256	KBT19		KBT24	KBT19	KBT23					
MF11256 (2)	n/a			KBT22						

\*See Ice-O-Matic Price List for Adapter Kits to combine ice makers with most available ice/beverage dispensers.



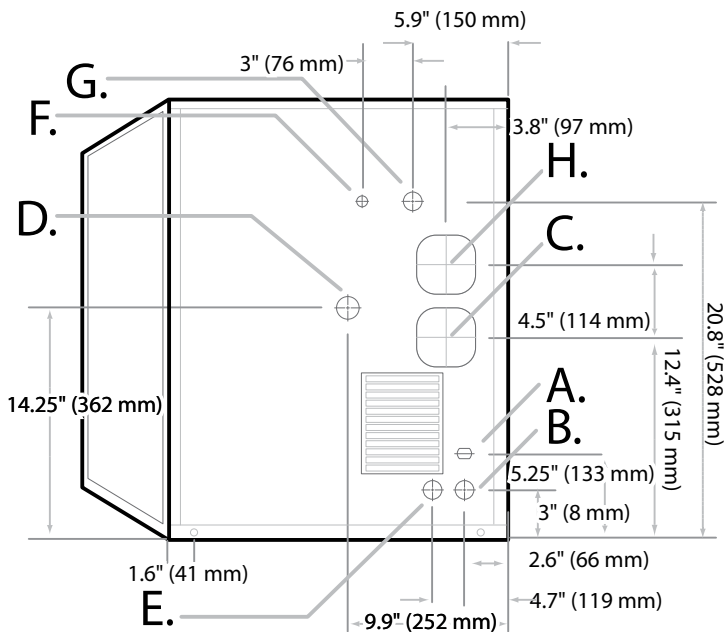


MF11256/1255 FLAKE ICE MAKER

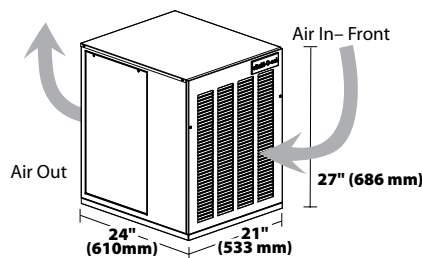
**Air Cooled**

Please note: air-cooled units require 6" (152 mm) clearance for air intake and exhaust.

- A. Ice maker potable water in, 3/8" FPT Male Flare.
- B. Drain, 3/4" FPT.
- C. Hole for electrical connection.
- D. Condenser inlet (water cooled only) 3/8" FPT.
- E. Condenser drain (water cooled only) 1/2" FPT.
- F. Liquid line, 3/8" male coupling for precharged line set (remote only).
- G. Discharge line, 1/2" male coupling for precharged line set (remote only).
- H. Remote condenser junction box (remote only).



Air, Water Cooled & Remote



**Operating Requirements**

	MINIMUM	MAXIMUM	
		60 Hz	50Hz
Ambient Temp. Range Air	50 °F (10 °C)	100 °F (38 °C)	110 °F (43 °C)
Water Temp.	40 °F (4.4 °C)		90 °F (32 °C)
Water Pressure	20 PSIG (1.4 BAR)	120 PSIG (8.3 BAR)	

**Dimensions**

ALL MODELS	
W x D x H (in.)	21 x 24 x 27
W x D x H (mm)	762 x 610 x 686

**Specifications**

Model Number	Cond. Unit	Ice Production per 24 hrs		Water Usage gallons per 100 lbs of Ice 90°F air/70°F water		kWH Used per 100 lbs of ice @ 90°F air/70°F water	Voltage Characteristics	Min. Circuit Ampacity	Fuse Size	Approx. BTUs** per hour
		70°F air/50°F water lbs (kg)	90°F air/70°F water lbs (kg)	Potable	Condenser					
MF11255A	Air	1115 (506)	828 (375)	12.0	-	4.6	230/50/1	13.4	20	9000
MF11255W	Water	1231 (558)	1068 (484)		89.0	3.1				
MF11256A	Air	1149 (521)	845 (383)		-	3.4	208-230/60/1	11.8	15	
MF11256W	Water	1137 (516)	959 (435)		69.9	2.7				
MF11256R	Remote*	1054 (478)	867 (393)		-	3.7		15.3		

\*Requires GRC 1061 Condenser. \*\*BTUH is calculated to 0°F Evaporator, 100°F Condensing, and 33 PSIG.

NOTES:

Number of Wires: 3 (including ground)  
 Approx. Shipping Weight lbs (kg): MF11255A 215 (98) • MF11255W 230 (104) • MF11256A 215 (98) • MF11256W 210 (95) • MF11256R 230 (104)  
 Refrigerant Type: R404A