

# ***Ice-O-Matic***<sup>®</sup>

**SERVICE PARTS MANUAL**  
**The EF Series Flaker**  
**MODEL-EF250, EF450, EF800**





# EF Series Flaker Service Parts

This parts list contains the service parts available for the EF Series Flaker icemakers.

**EF250**

**EF450**

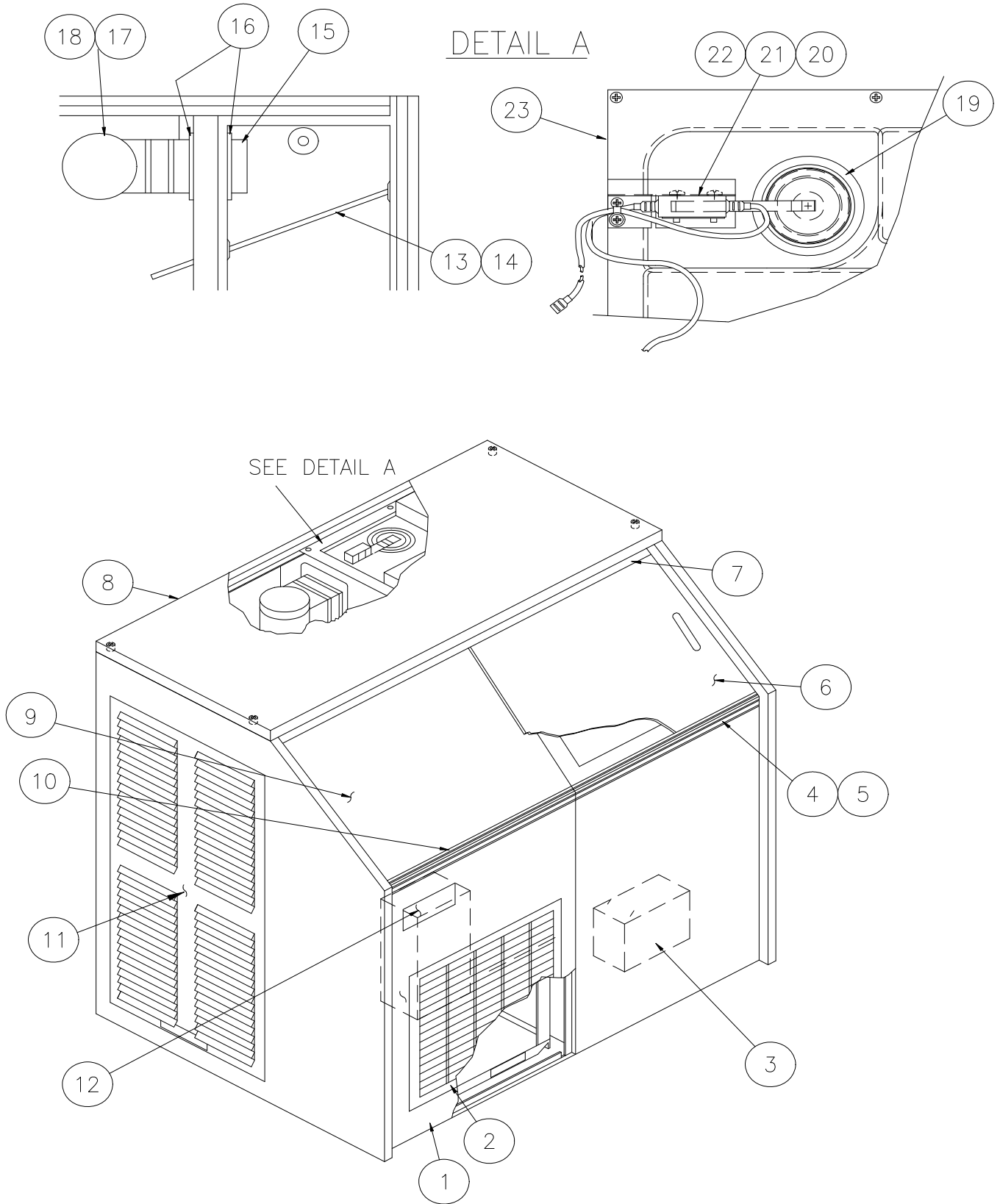
**EF800**

Check the model number on the data plate and refer to the correct listing for the specific component.

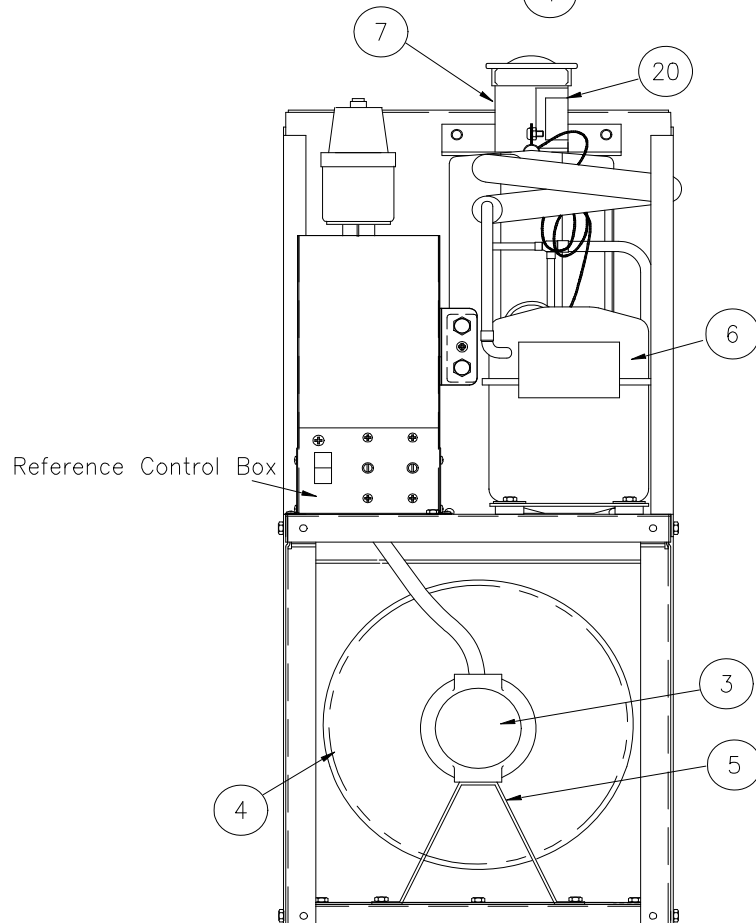
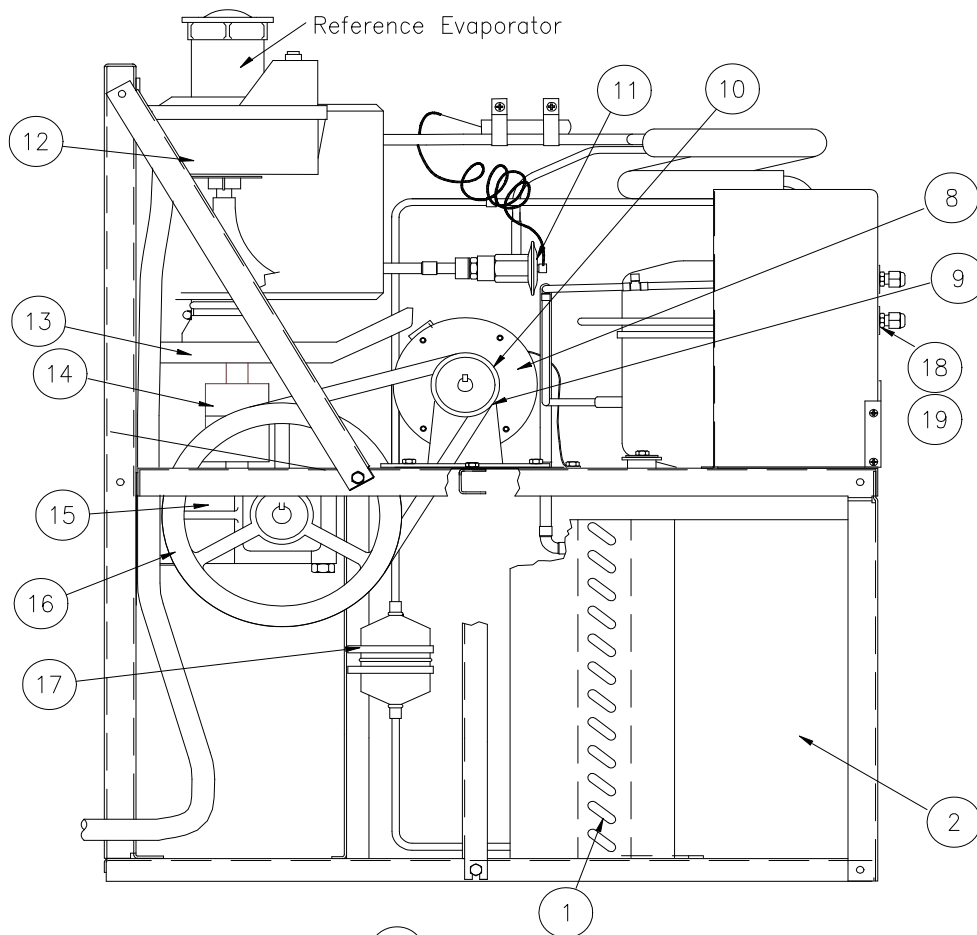
Check carefully that the correct part is identified and ordered.

|                             |                   |
|-----------------------------|-------------------|
| <b>Table of Contents</b>    | <b>Page 1</b>     |
| <b>Cabinet</b>              | <b>Page 2 - 3</b> |
| <b>Refrigeration System</b> | <b>Page 4 - 5</b> |
| <b>Evaporator</b>           | <b>Page 6 - 7</b> |
| <b>Control Box</b>          | <b>Page 8</b>     |

Ice-O-Matic  
11100 East 45th Ave.  
Denver Co. 80239  
800-423-3367



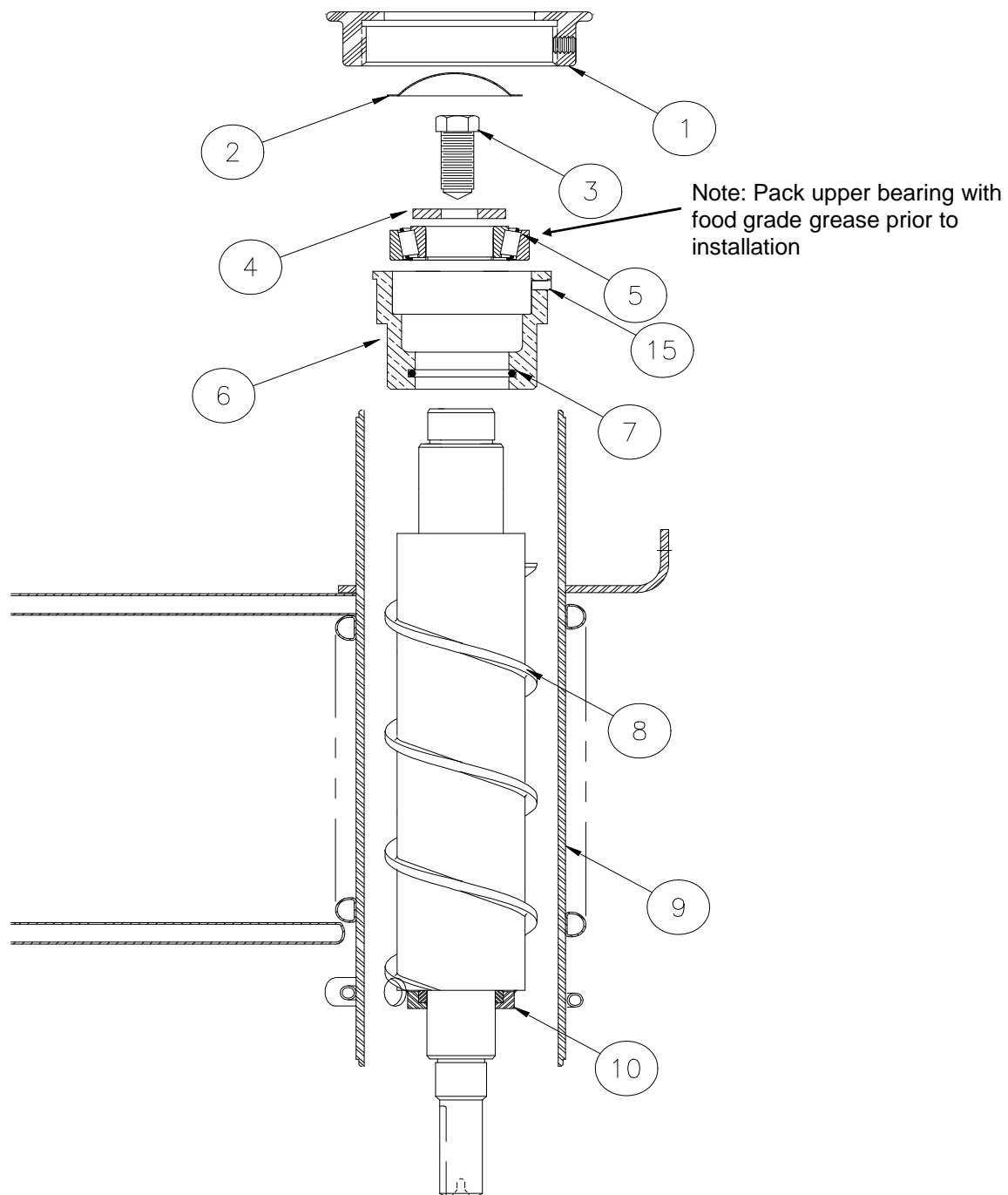
| <b>Item</b> | <b>EF250</b> | <b>EF450</b> | <b>EF800</b> | <b>Description</b>                             |
|-------------|--------------|--------------|--------------|--|
| 1           | 2031474-01   | 2031474-01   | 2031474-01   | Left Hand Front Panel Assembly                 |
| 2           | 9051464-01   | 9051464-01   | 9051464-01   | Louver Panel (Included in 2031474-01)          |
|             | 9031133-02   | 9031133-02   | 9031133-02   | Push Nut (Secures Louver Panel)                |
| 3           | 9021002-04   | 9021002-04   | 9021002-04   | Leg Set (4 Legs)                               |
| 4           | 9061034-01   | 9061034-01   | 9061034-01   | Bottom R/H Door Frame Ext. <b>32"</b> Cabinet  |
| 4           | 9061035-01   | 9061035-01   | 9061035-01   | Bottom R/H Door Frame Ext. <b>38"</b> Cabinet  |
| 4           | 9061036-01   | 9061036-01   | 9061036-01   | Bottom R/H Door Frame Ext. <b>48"</b> Cabinet  |
| 5           | 6061001-01   | 6061001-01   | 6061001-01   | Decorative Trim <b>32"</b> Cabinet-30.5 Inches |
| 5           | 6061001-01   | 6061001-01   | 6061001-01   | Decorative Trim <b>38"</b> Cabinet-36.5 Inches |
| 5           | 6061001-01   | 6061001-01   | 6061001-01   | Decorative Trim <b>48"</b> Cabinet-46.5 Inches |
| 6           | 9051093-01   | 9051093-01   | 9051093-01   | Door Panel <b>32"</b> Cabinet                  |
| 6           | 9051093-03   | 9051093-03   | 9051093-03   | Door Panel <b>38"</b> Cabinet                  |
| 6           | 9051093-07   | 9051093-07   | 9051093-07   | Door Panel <b>48"</b> Cabinet                  |
| 7           | 9061029-01   | 9061029-01   | 9061029-01   | Top Door Frame Extrusion <b>32"</b> Cabinet    |
| 7           | 9061027-01   | 9061027-01   | 9061027-01   | Top Door Frame Extrusion <b>38"</b> Cabinet    |
| 7           | 9061028-01   | 9061028-01   | 9061028-01   | Top Door Frame Extrusion <b>48"</b> Cabinet    |
| 8           | 3021252-02   | 3021252-02   | 3021252-02   | Top Panel <b>32"</b> Cabinet                   |
| 8           | 3021230-02   | 3021230-02   | 3021230-02   | Top Panel <b>38"</b> Cabinet                   |
| 8           | 3021272-02   | 3021272-02   | 3021272-02   | Top Panel <b>48"</b> Cabinet                   |
| 9           | 3021232-02   | 3021232-02   | 3021232-02   | Top L/H Front Panel                            |
| 10          | 9061033-01   | 9061033-01   | 9061033-01   | Bottom L/H Door Frame Ext.                     |
| 11          | 3021359-02   | 3021359-02   | 3021359-02   | Left Hand Access Panel                         |
| 12          | 3011795-01   | 3011795-01   | 3011795-01   | Control Box Cover                              |
| 13          | 3031209-02   | 3031209-02   | 3031209-02   | Bin Control Rod <b>32"</b> Cabinet             |
| 13          | 3031209-03   | 3031209-03   | 3031209-03   | Bin Control Rod <b>38"</b> Cabinet             |
| 13          | 3031209-04   | 3031209-04   | 3031209-04   | Bin Control Rod <b>48"</b> Cabinet             |
| 14          | 9051002-10   | 9051002-10   | 9051002-10   | Rubber Grommet                                 |
| 15          | 2021164-01   | 2021164-01   | 2021164-01   | Ice Chute                                      |
| 16          | 9051239-01   | 9051239-01   | 9051239-01   | Ice Chute Grommet                              |
| 17          | 2991006-01   | 2991006-01   | 2991006-01   | Legionaire Cap (Insulation)                    |
| 18          | 9051011-01   | 9051011-01   | 9051011-01   | Evaporator Gasket (Chute Gasket)               |
| 19          | 9051206-01   | 9051206-01   | 9051206-01   | Diaphragm (Secondary Bin Switch)               |
| 20          | 9101338-01   | 9101338-01   | 9101338-01   | Secondary Bin Switch                           |
| 21          | 9031011-01   | 9031011-01   | 9031011-01   | Twin Speed Nut                                 |
| 22          | 9031008-29   | 9031008-29   | 9031008-29   | Machine Screw 6-32 x 7/8                       |
| 23          | 9051322-01   | 9051322-01   | 9051322-01   | Bin Liner Cover <b>32"</b> Cabinet             |
| 23          | 9051323-01   | 9051323-01   | 9051323-01   | Bin Liner Cover <b>38"</b> Cabinet             |
| 23          | 9051324-01   | 9051324-01   | 9051324-01   | Bin Liner Cover <b>48"</b> Cabinet             |



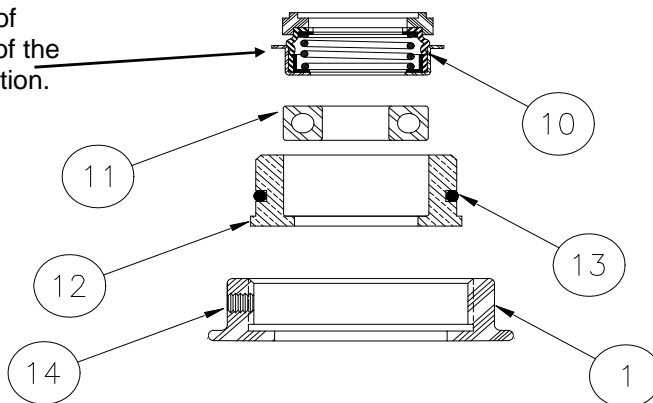
| Item | EF250      | EF450      | EF800      | Description                          |
|------|------------|------------|------------|--------------------------------------|
| 1    | 9141054-01 | 9141002-01 | 9141125-01 | Air Condenser                        |
| 2    | 2021476-01 | 2021476-01 | 3013166-01 | Fan Shroud                           |
| 3    | 9161112-01 | 9161112-01 | 9161112-01 | Fan Motor (Replaces 9161045-01)      |
| 4    | 9131133-02 | 9131133-02 | 9131384-08 | Fan Blade                            |
| 5    | 9131054-01 | 9131054-01 | 9131054-01 | Fan Motor Bracket                    |
| 6    | 9181098-11 | 9181095-11 | 9181086-11 | Compressor                           |
| 7    | 2051172-91 | 2051172-91 | 2051172-91 | Evaporator Assembly                  |
| 8    | 9161093-01 | 9161093-01 | 9161093-01 | Auger Motor                          |
| 9    | 9111001-01 | 9111001-01 | 9111001-11 | V-Belt                               |
| 10   | 9111002-29 | 9111002-29 | 9111002-05 | Auger Motor Pulley                   |
|      | 9021028-01 | 9021028-01 | 9021028-01 | Auger Motor Pulley Key               |
| 11   | 9151006-09 | 9151006-09 | 9151134-09 | Expansion Valve                      |
| 12   | 9131032-01 | 9131032-01 | 9131032-01 | Float (Includes Float and Reservoir) |
| 13   | 9051007-01 | 9051007-01 | 9051007-01 | Drip Boot                            |
| 14   | 2081012-02 | 2081012-02 | 2081012-02 | Coupling Assembly (5/8 x 3/4)        |
|      | 9021028-01 | 9021028-01 | 9021028-01 | Auger or Gear Reducer Output Key     |
|      | 9111012-91 | 9111012-91 | 9111012-91 | Upper Coupler Half (5/8)             |
|      | 9111004-91 | 9111004-91 | 9111004-91 | Spyder                               |
|      | 9111004-92 | 9111004-92 | 9111004-92 | Lower Coupler Half (3/4)             |
| 15   | 9171010-04 | 9171010-04 | 9171010-04 | Gear Reducer                         |
| 16   | 9111002-08 | 9111002-08 | 9111002-26 | Gear Reducer Pulley                  |
|      | 9021028-02 | 9021028-02 | 9021028-02 | Gear Reducer Pulley Key              |
| 17   | 9151163-01 | 9151163-01 | 9151163-01 | Drier (Replaces 9151004-02)          |
| 18   | 9091086-02 | 9091086-02 | 9091086-02 | Service Valve Core                   |
| 19   | 9091086-03 | 9091086-03 | 9091086-03 | Service Valve Cap                    |
| 20   | 9051011-01 | 9051011-01 | 9051011-01 | Evaporator Gasket (Chute Gasket)     |

**Compressor Components**

| EF250      | EF450      | EF800      | Description      |
|------------|------------|------------|------------------|
| 9181098-11 | 9181095-11 | 9181086-11 | Compressor       |
| 9181004-25 | 9181004-22 | 9181010-14 | Compressor Relay |
| 9181005-34 | 9181005-31 | 9181005-12 | Overload         |
| N/A        | N/A        | N/A        | Run Capacitor    |
| 9181003-38 | 9181003-03 | 9181003-17 | Start Capacitor  |



Note: Apply a small bead of silicone on the underside of the seal flange prior to installation.





| Item | EF250      | EF450      | EF800      | Description                                     |
|------|------------|------------|------------|---|
| 1    | 9131207-01 | 9131207-01 | 9131207-01 | Nut-Retaining                                   |
| 2    | 3011011-01 | 3011011-01 | 3011011-01 | Evaporator Cap                                  |
| 3    | 9031001-01 | 9031001-01 | 9031001-01 | Hex Bolt 1/2-20 x 1"                            |
| 4    | 9031004-09 | 9031004-09 | 9031004-09 | Washer  |
| 5    | 9121039-02 | 9121039-02 | 9121039-02 | Upper Bearing                                   |
| 6    | 9131219-01 | 9131219-01 | 9131219-01 | Upper Bearing Housing                           |
| 7    | 9131009-03 | 9131009-03 | 9131009-03 | O-Ring-Upper                                    |
| 8    | 9131012-01 | 9131012-01 | 9131012-01 | Auger   |
| 9    | 2051172-91 | 2051172-91 | 2051172-91 | Evaporator Assembly <b>(Complete)</b>           |
|      | 2051171-91 | 2051171-91 | 2051171-91 | Evaporator Barrel Only (No Internal Components) |
| 10   | 9121026-01 | 9121026-01 | 9121026-01 | Seal (Includes Upper and Lower)                 |
| 11   | 9121001-06 | 9121001-06 | 9121001-06 | Lower Bearing                                   |
| 12   | 9131220-01 | 9131220-01 | 9131220-01 | Lower Bearing Housing                           |
| 13   | 9131009-08 | 9131009-08 | 9131009-08 | O-Ring-Lower                                    |
| 14   | 9031033-03 | 9031033-03 | 9031033-03 | Set Screw 1/4-20                                |
| 15   | 9131010-01 | 9131010-01 | 9131010-01 | Locating Pin                                    |

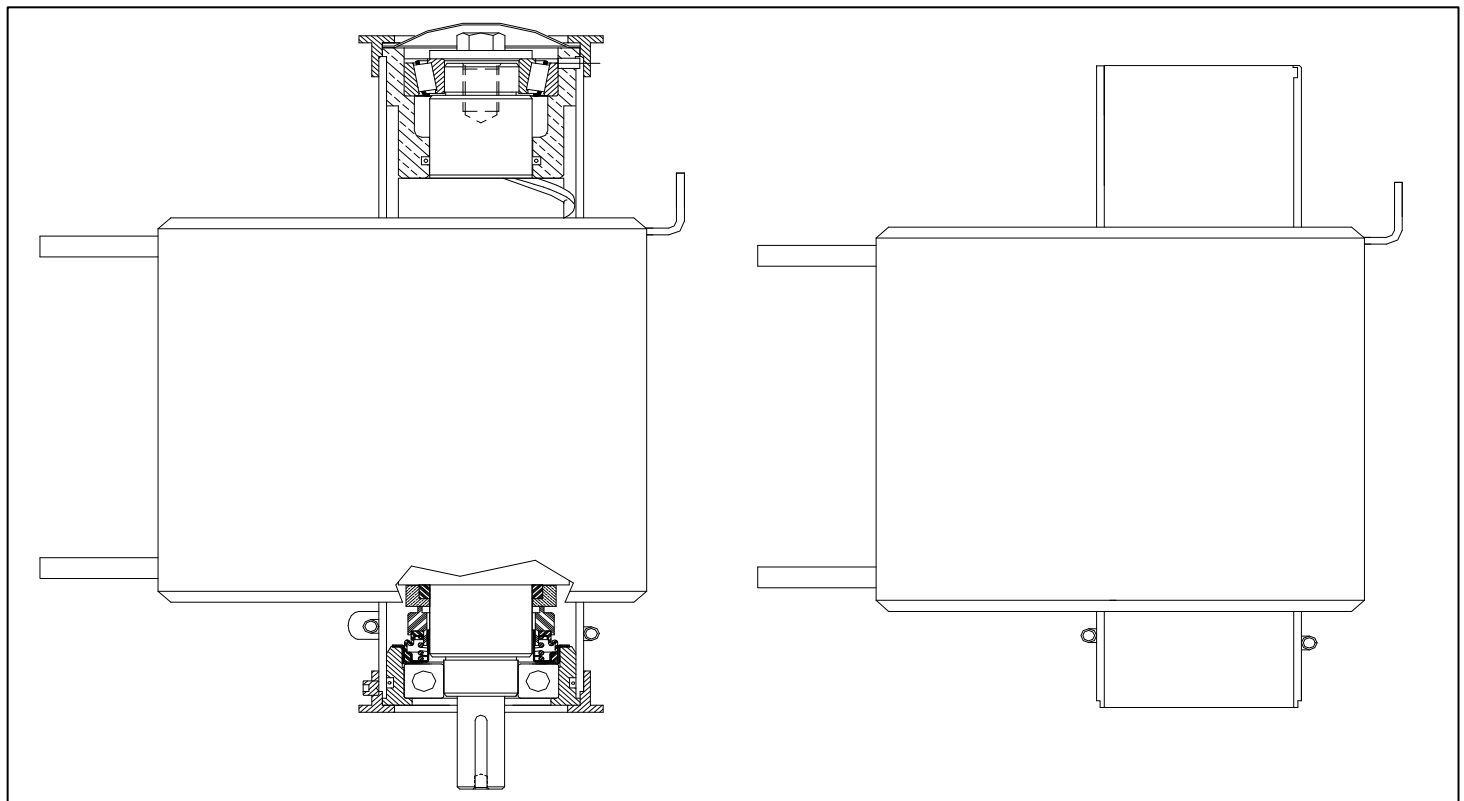
**Note: The Evaporator Assembly includes all internal components.**

Upper Bearing, Housing and O-Ring

Auger and Seal

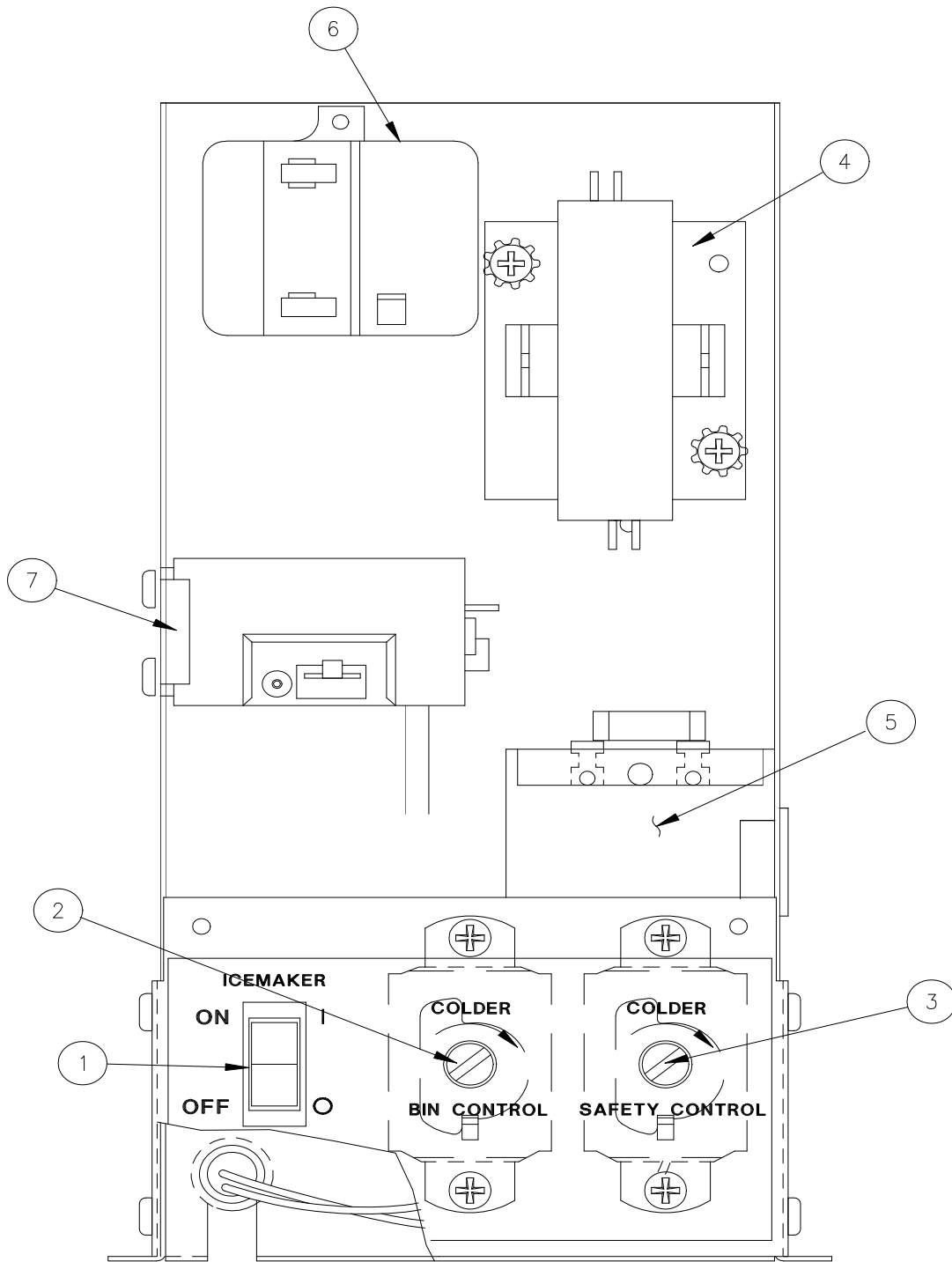
Lower Bearing, Housing, Water Seal and O-Ring

Retaining Nuts



**Evaporator Assembly**

**Evaporator Barrel Only**



| Item | EF250      | EF450      | EF800      | Description                 |
|------|------------|------------|------------|-----------------------------|
| 1    | 9101139-04 | 9101139-04 | 9101139-04 | Rocker Switch (On-Off)      |
| 2    | 9041004-02 | 9041004-02 | 9041004-02 | Bin Control Thermostat      |
| 3    | 9041002-01 | 9041002-01 | 9041002-01 | Low Temp Safety Thermostat  |
| 4    | 9101002-03 | 9101002-03 | 9101002-03 | Contactor                   |
| 5    | N/A        | N/A        | 9181003-17 | Start Capacitor             |
| 6    | N/A        | N/A        |            | Potential Relay             |
| 7    | 9041095-01 | N/A        | N/A        | High Pressure Control       |
| 8    | 3011795-01 | 3011795-01 | 3011795-01 | Control Box Cover-Not Shown |