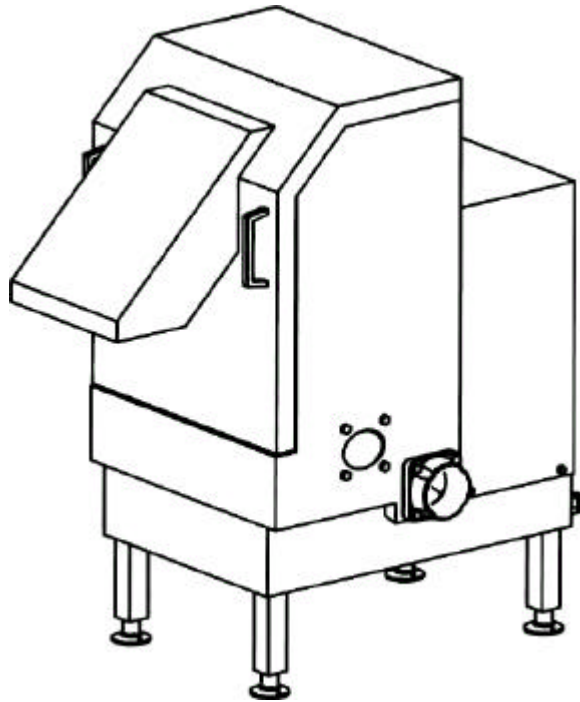




PARTS LIST (WX-1, WX-2, WX-3, WX-4)



When Ordering Parts

Order by **PART** number, **NOT** by code number

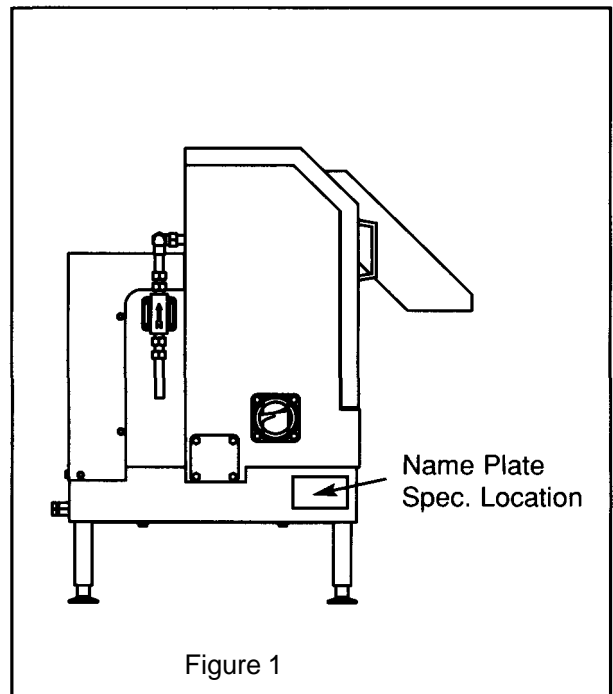
Include information from nameplate spec (see figure 1)
Complete model number (example: WX-1) Complete serial
number (example: WD1000001)

Order parts from:

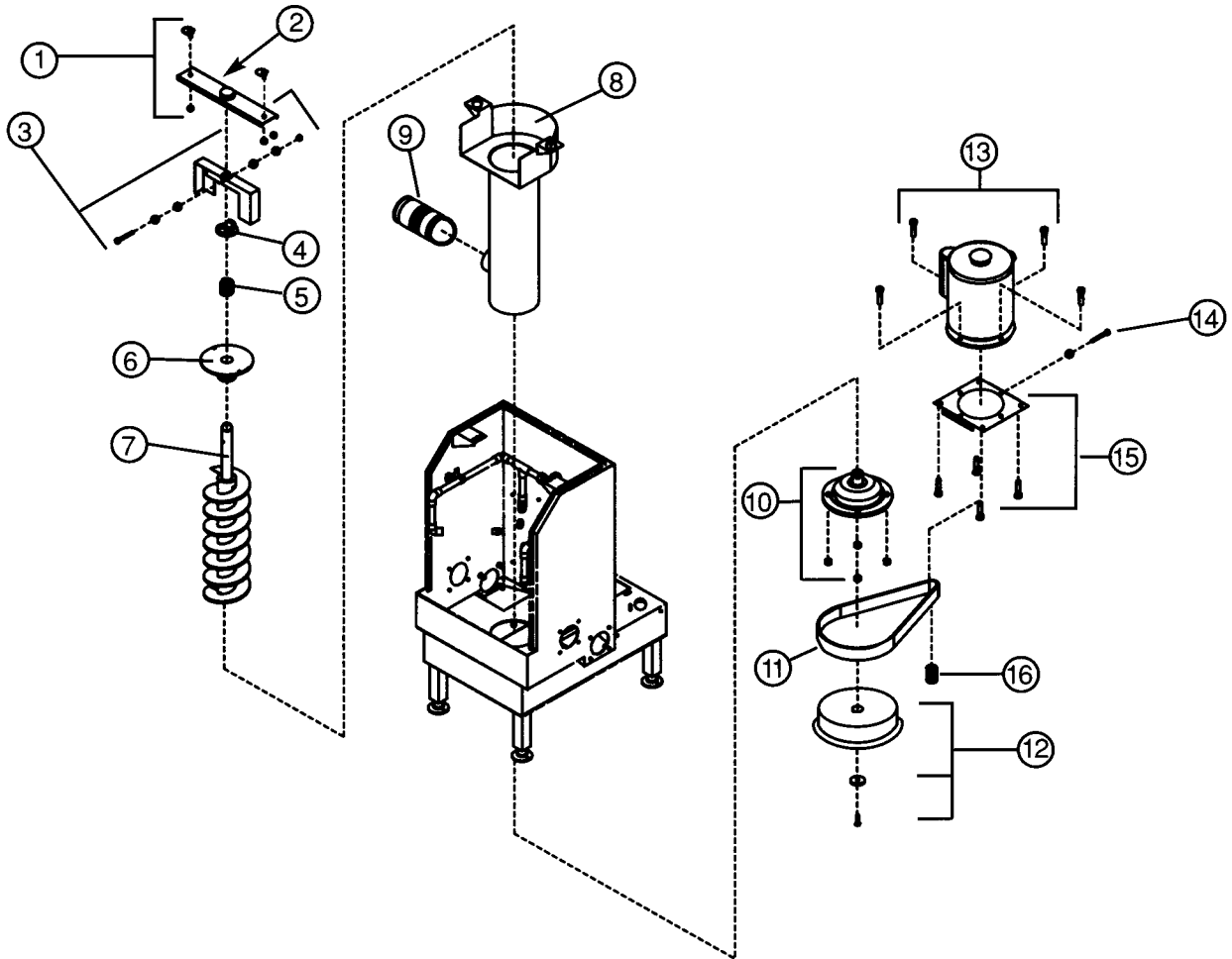
(USA)
In-Sink-Erator Division,
Emerson Electric Company
4700 – 21st. street
Racine, Wisconsin 53406

Within the USA
1-800-558-5712 (Toll Free)
Ask for commercial service

Outside the USA
1-262-554-5432
Ask for commercial service

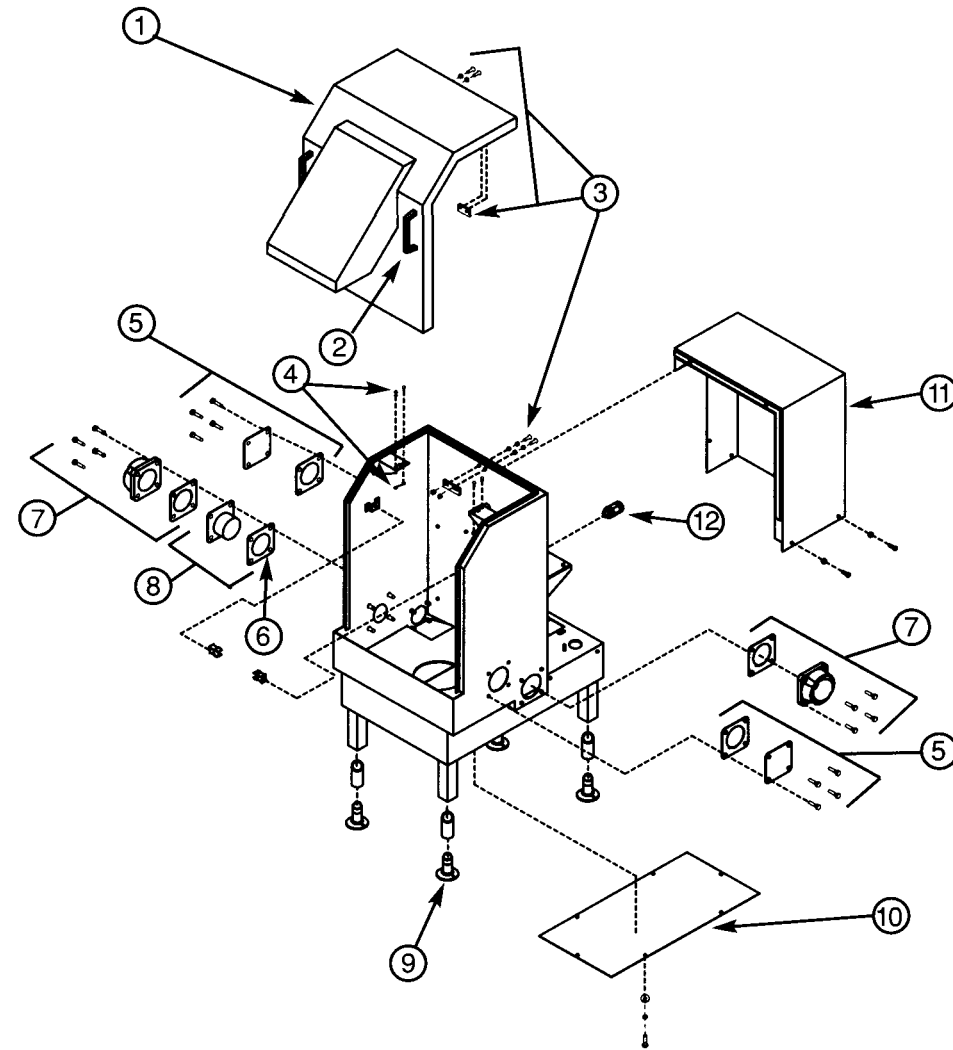


Cabinet



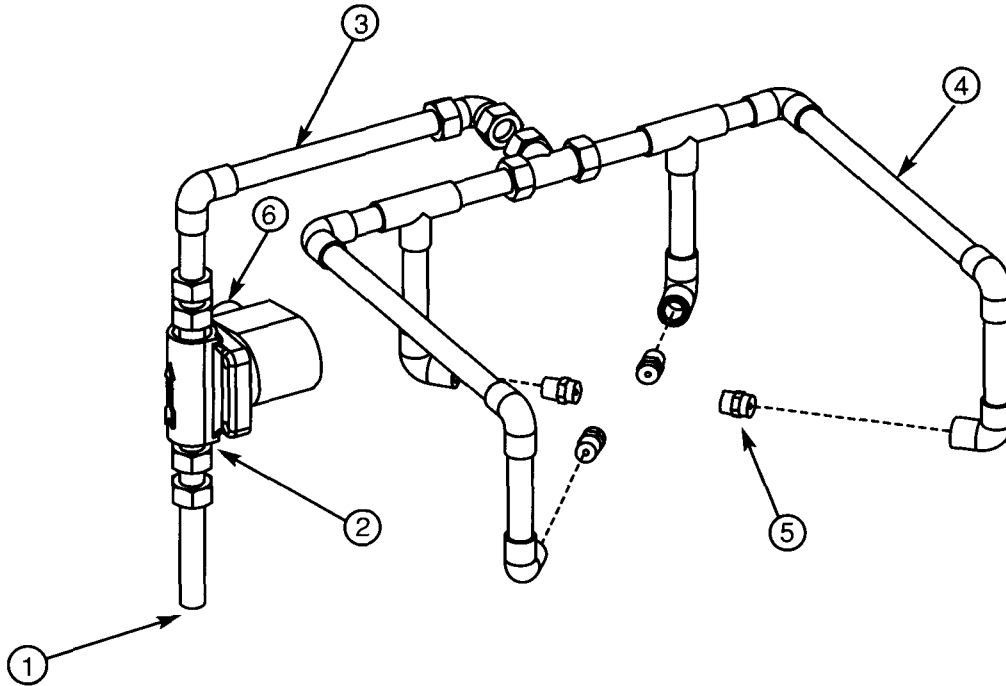
Code No	Part No	No Req	Description	Code No	Part No	No Req	Description
1	14237	2	Captive Fastener	12	14246	1	Pulley, Auger WX
2	14238	1	Bearing Bracket WX (includes 14237)				(Includes fasteners)
3	14061	1	Auger Paddle	13	14247	1	Auger Motor, 1/2HP 115/208-230/60
4	14239	1	Tension Adjustment Dial				(includes fasteners)
5	14240	1	Tension Spring		14247A	1	Auger Motor, 1/2HP 208-230/460/60
6	14062	1	Auger Weight		14247B	1	Auger Motor, 1/2HP 200/50/60
7	14241	1	Auger, WX	14	14248	1	Tension Adj. Bolt
8	14242	1	Screen, WX	15	14249	1	Motor Bracket 1 ph
9	14243	1	Transfer Hose		14249A	1	Motor Bracket 3 ph
10	14244	1	Auger Drive Assy. (includes fasteners)	16	14276	1	Pulley, Drive 1 ph
11	14245	1	Auger Belt, WX		14276A	1	Pulley, Drive 3 ph

Cabinet



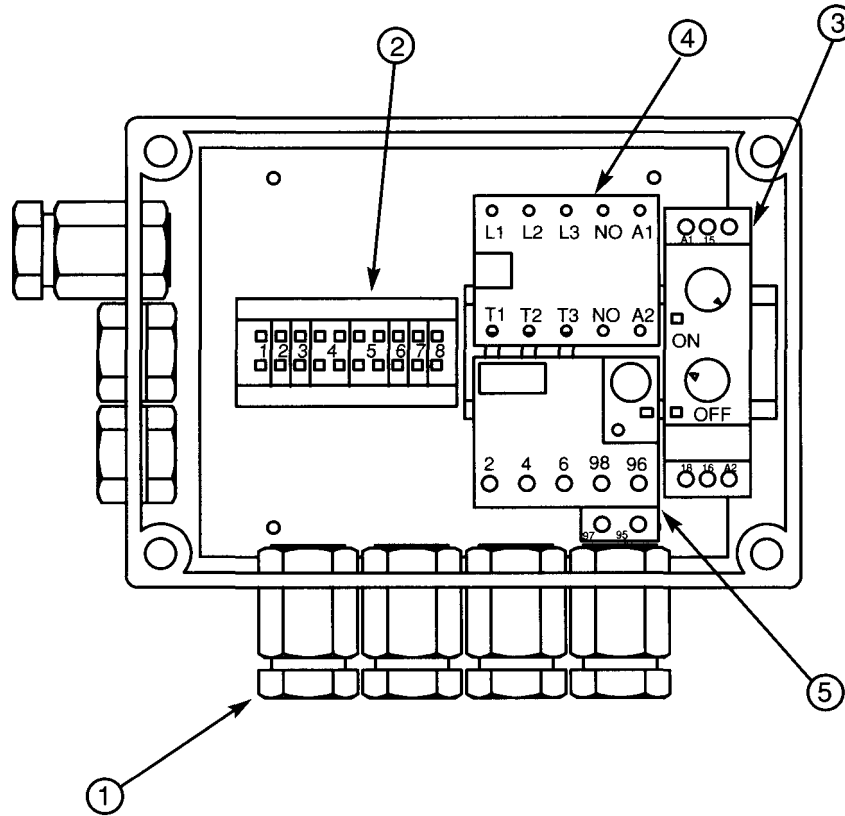
Code No	Part No	No Req	Description	Code No	Part No	No Req	Description
1	14251	1	Discharge Chute, WX (includes handles)	7	14256	1	Inlet/ Outlet Fitting (includes gasket and fasteners)
2	14252	2	Handles, Discharge Chute	8	14257	1	Inlet Adapter (includes gasket)
3	14258	1	Interlock Assembly (includes fasteners)	9	14259	1	Leveling Leg
4	14253	2	Retaining Spring (includes fasteners)	10	14260	1	Bottom Cover, WX (includes fasteners)
5	14254	1	Inlet/Outlet Cap (includes gasket & fasteners)	11	14261	1	Motor Cover (includes fasteners)
6	14255	1	Gasket Inlet/Outlet	12	14262	1	Strain Relief

Plumbing



Code No	Part No	No Req	Description	Code No	Part No	No Req	Description
1	14263	1	Water Inlet Tube	4	14266	1	Tubing Assy. (spray nozzle)
2	14264	1	Solenoid Valve, WX	5	14071	4	Spray Nozzle
3	14265	1	Tubing Assy. (water transfer)	6	14262	1	Strain Relief

Electrical Controls



Code No	Part No	No Req	Description	Code No	Part No	No Req	Description
1	14262	1	Strain Relief	5	14106	1	3 Phase Adjustable Overload, 208-230V
2	14267	1	Terminal Block		14106A	1	3 Phase Adjustable Overload, 460V
3	14268	1	Timer, WX				
4	14113	1	Contactor, WX				