

SERVICE INSTRUCTIONS

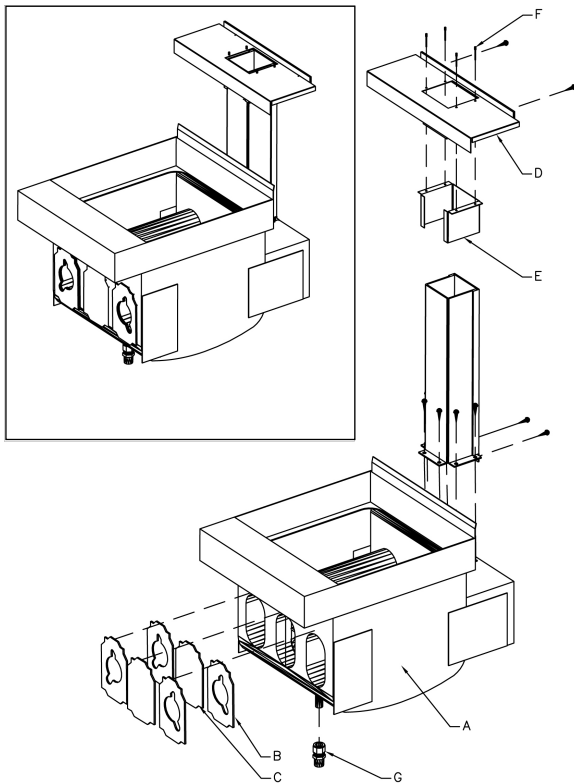
www.keatingofchicago.com

KEATING
OF CHICAGO, INC. ®

Part # 023804

1-800-KEATING

REPLACEMENT INSTRUCTIONS FOR 14 IFM POT



ITEM	PART #	QTY	DESCRIPTION
A	052985	1	14IFM POT
B	016504	4	BURNER TO TUBE SEALING GASKET
C	016512	2	CENTER BURNER TUBE GASKET
D	035408	1	FLUE COVER
E	035409	1	FLUE COVER GUIDE
F	019355	4	RIVET POP 1/8ø
G	054428	1	FITTING CC 5/8" X 1/2"

The 14 IFM fryer pot is shipped with a new flue box mounted, which has a preattached side, front and rear insulation and liners. The new thermostat and high limit probe fittings are secured leak proof.

The items required to be disassembled from the removed fry pot:

- Burner Mounting Plate with Burners and Center Tube Cover Plate
- Center Tube Divider with Baffles
- Flue Box Stack

Reassemble these 3 items to the new fry pot as they were in the removed fry pot.

Also included as loose parts:

- 4 New Burner to Tube Sealing Gaskets (2/burner)
- 2 Center Tube Sealing Gaskets
- Flue Cover

Replace during reassembly.

After pot is placed in the fryer, assemble the following:*

- Flue Cover
- Flue Cover Guide

*NOTE: On earlier models use the original flue cover.