

MagiKitch'n®

Project _____

Item No. _____

Quantity _____

Model MKH Gas Griddle 24", 36", 48", 60" and 72"



**MKH36

Equipped with Solid State Controls



**ENERGYSTAR® Models

STANDARD FEATURES

- 1" (2.5 cm) thick polished griddle plate
- Large 3.75 gallon grease box (two on 72" model)
- Front grease trough, fully welded grease chute
- Tapered splash back
- Double walled stainless sides
- 24 VAC Solid State Controls
- Matchless Ignition System
- 13,333 BTU/hr burner for every 6", thermostatically controlled every 12".
- Gas regulator and shut off factory installed
- 4" legs (can be removed for flush mounting)

OPTIONS & ACCESSORIES (AT ADDITIONAL COST)

- 24 VAC Digital Solid State Thermostat
- Chrome griddle plate (includes scraper, spatula, Palmetto brush, and MagiKitch'n griddle cleaner)
- Griddle plate with Left and Front grease trough
- Griddle plate with Rear grease trough
- Service Shelf available in 8", 10" or 12" depth
- Pan cutouts for 1/6 -1/9 pan on 10" or 12" shelf
- Towel bar with or without service shelf
- Cutting board for 10" or 12" shelf (specify length)
- Gas hose with quick disconnect
- NSF approved, Stainless steel griddle stand with legs
 - Stand with optional casters
- Prison Security Package

STANDARD SPECIFICATIONS CONSTRUCTION

- Heavy 1" (2.5 cm) thick polished griddle plate
 - *Optional:* Chrome plated top with mirror finish
- Side skirting fully welded around plate perimeter
- Extra smooth 11 ga. skirt finish for ease of cleaning
- Tapered splash back with no debris contour
- Wide 3-1/2" (8.9 cm) spatula wide front grease trough
- Grease chute is fully welded to stop grease migration
- Large 3.75 gal (14ltr) grease box with quick lift handle
- Grease box splash zone compartment
- Double walled and reinforced stainless steel sides
- Solid panel cabinet base for flush mount capability
- Easy to remove cabinet back for easy cleaning
- No exposed fasteners allowing easy cleanup
- All stainless steel independent venturi style burners
- Gas regulator and shutoff are factory installed and recessed for close wall installation

MODELS

- MKH24** 53.3 Kbtu/hr (15.6 kW) (56.2 MJ)
- MKH36**** 80 Kbtu/hr (23.4 kW) (84.4 MJ)
- MKH48**** 106.6 Kbtu/hr (31.2 kW) (112.4 MJ)
- MKH60**** 133.3 Kbtu/hr (39.1 kW) (140.6 MJ)
- MKH72**** 160 Kbtu/hr (46.8 kW) (168.8 MJ)

CONTROLS

- 24 Vac Solid State Thermostat includes matchless ignition which automatically lights the pilot when the power is turned on. Cooking surface is thermostatically controlled from 150°F to 550°F. Pilot ready lights and power switches are recessed. Power switches include a Heat on indicator light.
- All temperature probes are embedded into the plate for faster response time and more accurate surface temperatures.
- All pilots have a flame loss safety shutoff. One pilot operates up to two thermostat cook zones



Model MKH Gas Griddle 24", 36", 48", 60" and 72"

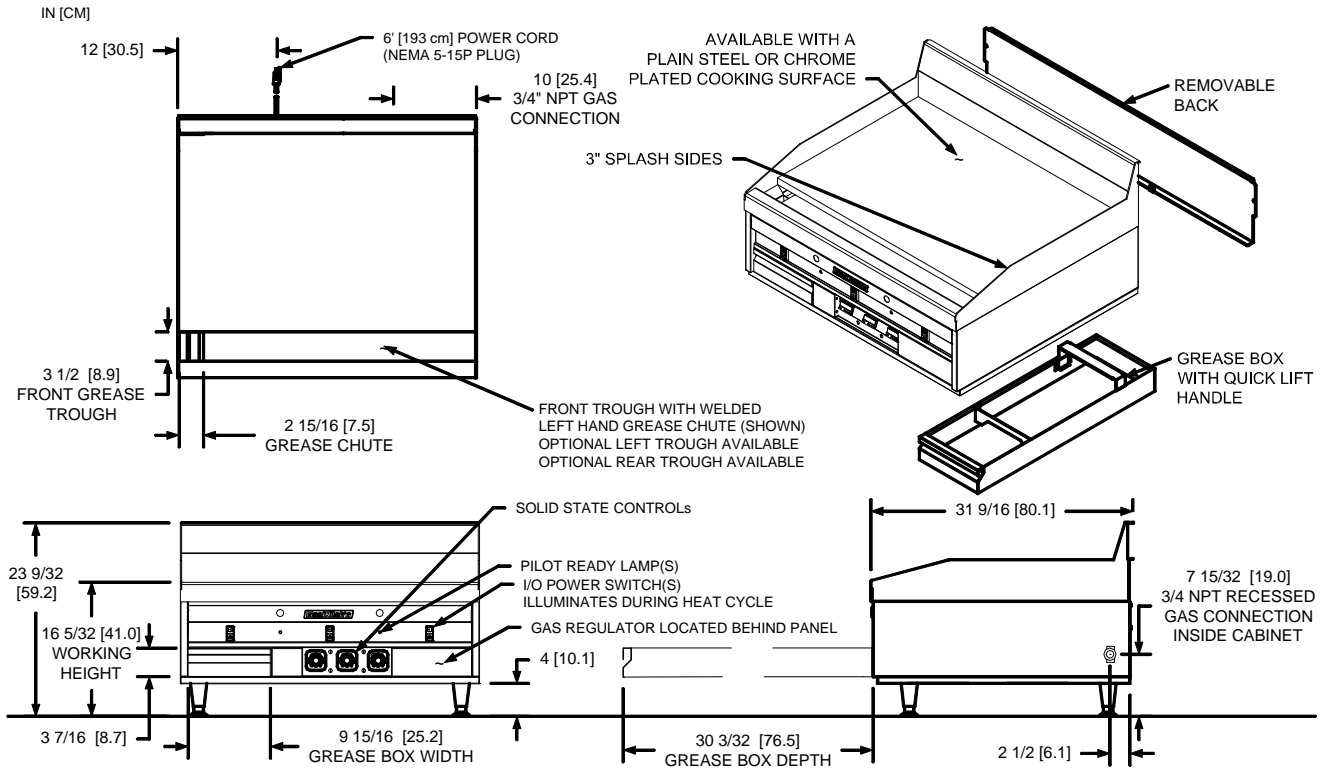


MagiKitch'n • P.O. Box 501, Concord, NH 03302-0501 • 509 Route 3A, Bow, NH 03304
603-225-6684 • FAX: 603-225-8497 • www.magikitch'n.com

L10-525 Rev 1 09/11

Printed in the USA

Model MKH Gas Griddle 24", 36", 48", 60" and 72"



INDIVIDUAL GRIDDLE SPECIFICATIONS

| Model | Cooking Area | Control # | Width | Grease Box | Gas Input Rate / Hr | Burner Pressure Nat |
|-------|----------------------------|-----------|-------------|--------------|----------------------------------|----------------------------------|
| MKH24 | 24 x 23-3/4 in (61x 60cm) | 2 | 24" (61cm) | Left | 53,300 BTUs (15.6 kW)(56.2 MJ) | 4" W.C. (10 mbars / 1 kPa) |
| MKH36 | 24 x 35-3/4 in (61x 90cm) | 3 | 36" (91cm) | Left | 80,000 BTUs (23.4 kW)(84.4 MJ) | |
| MKH48 | 24 x 47-3/4 in (61x 121cm) | 4 | 48" (122cm) | Left | 106,600 BTUs (31.2 kW)(112.4 MJ) | Burner Pressure LP |
| MKH60 | 24 x 59-3/4 in (61x 151cm) | 5 | 60" (152cm) | Left | 133,300 BTUs (39.1 kW)(140.6 MJ) | 10" W.C. (25 mbars / 2.5 kPa) |
| MKH72 | 24 x 71-3/4 in (61x 182cm) | 6 | 72" (183cm) | Left & Right | 160,000 BTUs (46.8kW)(168.8 MJ) | |

GRIDDLE SYSTEM SHIPPING INFORMATION (Approximate)

| Unit ⁽¹⁾ | Shipping Weight | Shipping Crate Size H x W x L | Shipping Cube |
|---------------------|------------------|--------------------------------------|--|
| MKH24 Griddle | 309 Lbs (140kg) | 33 x 23 x 38 in (84 x 58 x 97 cm) | 16.7ft ³ (.05m ³) |
| MKH36 Griddle | 465 Lbs (211kg) | 34 x 43 x 40 in (87 x 109 x 102 cm) | 33.8 ft ³ (.96 m ³) |
| MKH48 Griddle | 615 Lbs (280 kg) | 34 x 55 x 40 in (87 x 140 x 102 cm) | 43.3 ft ³ (1.6 m ³) |
| MKH60 Griddle | 775Lbs (352 kg) | 43 x 43 x 74 in (109 x 109 x 188 cm) | 79.2ft ³ (2.2m ³) |
| MKH72 Griddle | 855 Lbs (388 kg) | 43 x 43 x 74 in (109 x 109 x 188 cm) | 79.2ft ³ (2.2m ³) |

⁽¹⁾ MKH Griddle and Stands are shipped separately (consult factory for shipments with equipment stands)

INSTALLATION INFORMATION

| GAS SYSTEM REQUIREMENTS | | | ELECTRIC SYSTEM REQUIREMENTS ⁽³⁾ | | | | | |
|--------------------------------|--|---|---|-------|-------|-------|-------|-------|
| | Natural Gas | LP Gas | Amps | MKH24 | MKH36 | MKH48 | MKH60 | MKH72 |
| Supply Pressure ⁽²⁾ | 7 - 14" W.C. (17.4 mbars/ 1.75 kPa) | 12 - 14" W.C. (29.9 mbars/ 2.99 kPa) | 115V 50/60Hz | 0.44 | 0.66 | 0.88 | 1.10 | 1.32 |

⁽²⁾ Check plumbing / gas codes for proper gas supply line sizing to sustain burner pressure when all gas appliances are full on.

⁽³⁾ Required on all MKH Models.

CLEARANCES

| Front min. | Bottom min. | Combustible material | | Non-Combustible material | | Griddle Flue Area Do not block / restrict flue gases from flowing into hood or install vent hood drains over the flue. |
|----------------------|-------------|----------------------|-------------|--------------------------|-------------|---|
| 30-1/8" (76.5 cm) | 0" | Sides min. | Rear min. | Sides min. | Rear min. | |
| | | 2" (5.1cm) | 6" (15.2cm) | 0" | 6" (15.2cm) | |

SHORT FORM SPECIFICATION

Provide MagiKitch'n gas fired griddle ENERGYSTAR[®] performance. Griddle shall be a single 1" thick steel griddle top unit with no debris tapered splash back. Smooth 11 ga. sides with 3-1/2" (8.9cm) wide fully welded front grease trough and chute. Large 3.75gal (14ltr) grease box with quick lift handle. Stainless steel double panel sides and cabinet base. Factory installed gas regulator and shutoff with safety pilot for flame loss shut off protection. Individual thermostat shall be mounted every 12 inches with probes plate embedded. Provide Options & Accessories as follows:



MagiKitch'n • P.O. Box 501, Concord, NH 03302-0501 • 509 Route 3A, Bow, NH 03304

603-225-6684 • FAX: 603-225-8497 • www.magikitch'n.com L10-525 Rev 1 09/11 Printed in the USA

We reserve the right to change specifications without notice and without incurring any obligation for equipment previously or subsequently sold.