



## **Ice Machine Parts List for Series S 22" Dispensers Models**

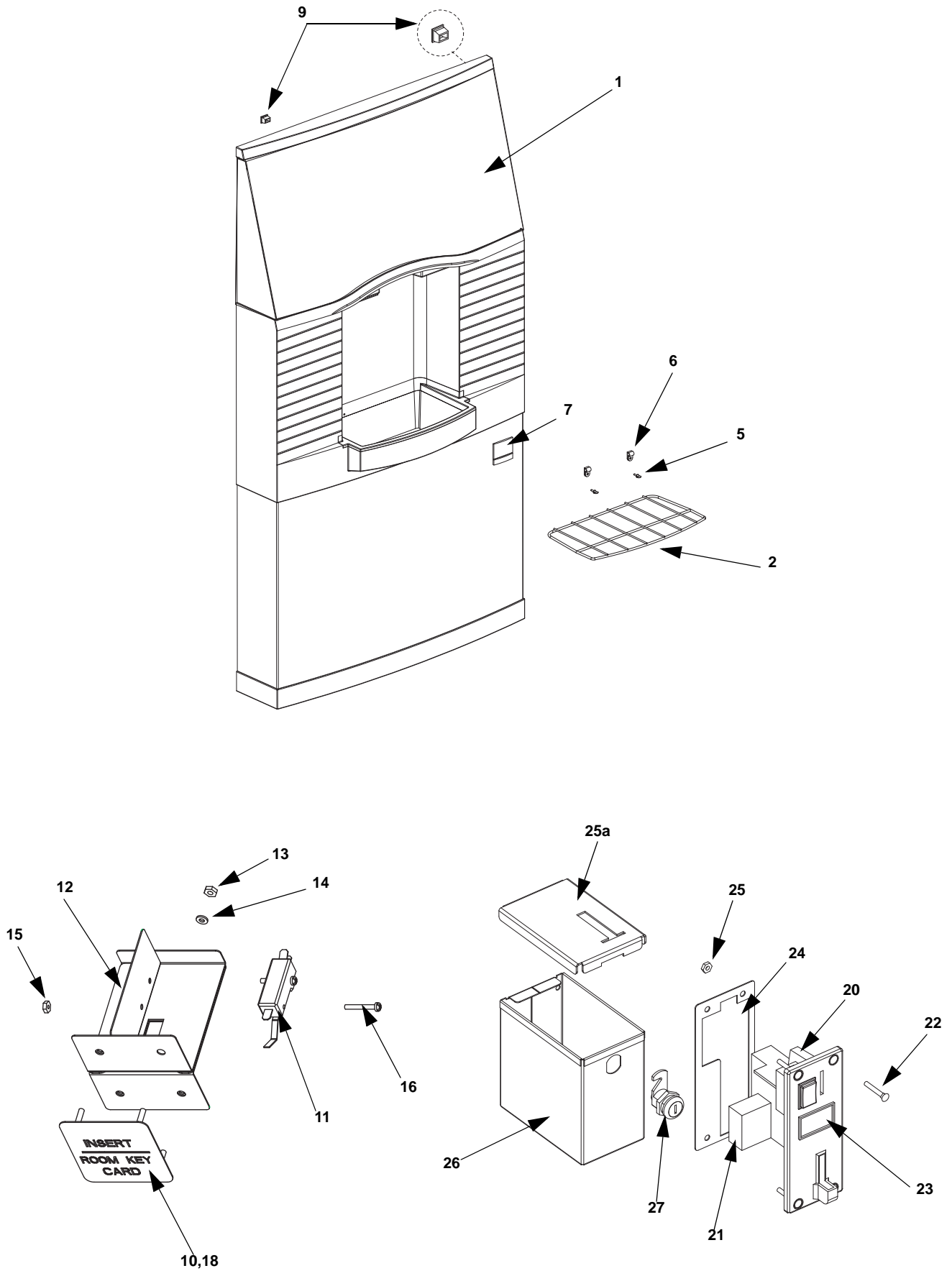
**SPA-160**

**SRA-164**

**SCA-163**

**SFA-191**

# SPA-160, SRA-164, SCA-163, SFA-191 DOOR ASSEMBLY

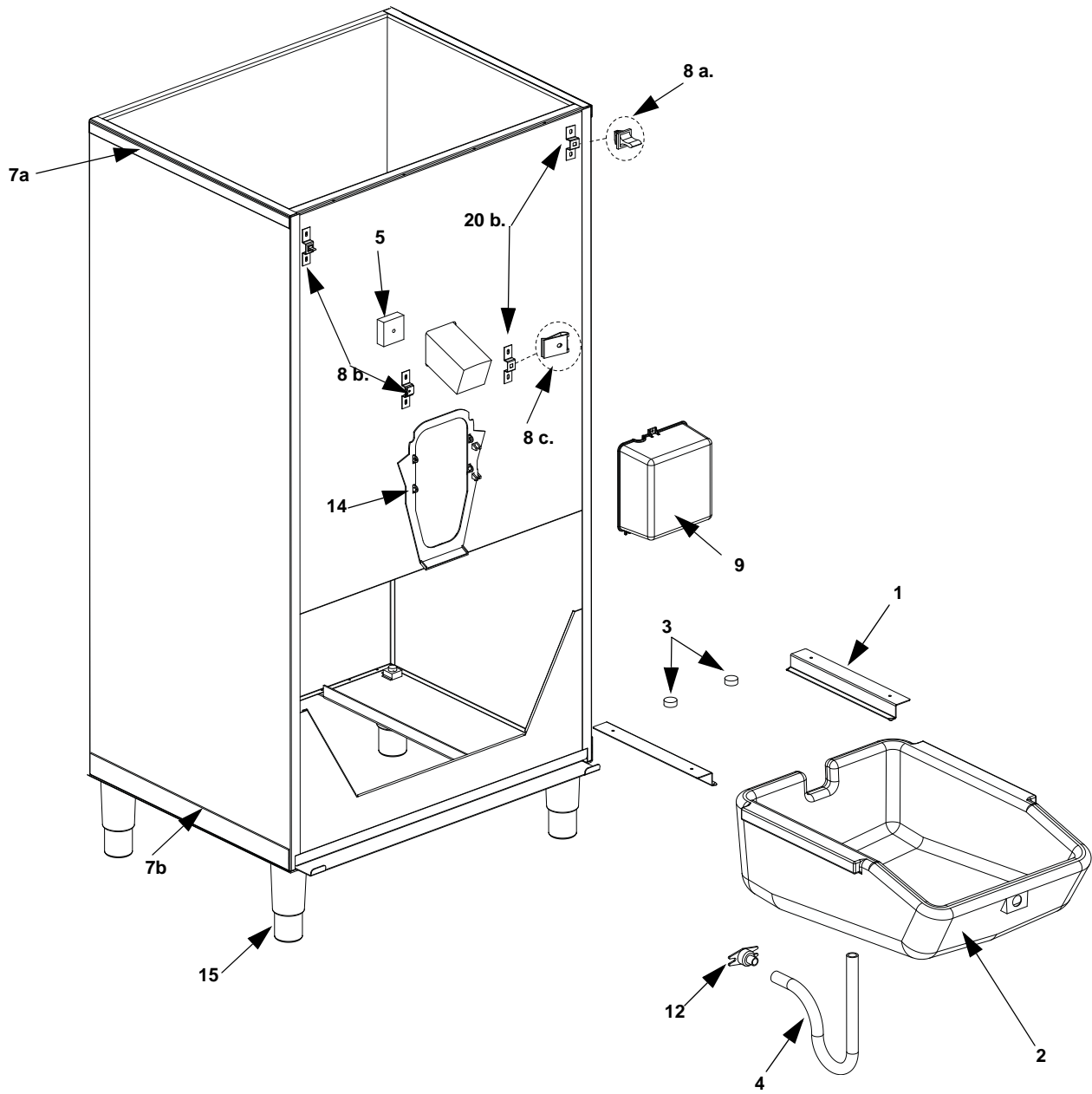


**SPA-160, SRA-164, SCA-163, SFA-191 DOOR ASSEMBLY, CONTINUED**

| DESCRIPTION  |   | PART NO.     |           |
|--|---|--------------|-----------|
|  |   | New Part     | Old Part  |
| 1  | <b>Main Door Assembly</b>                   |              |           |
|  | a. SPA-160 Rocking Chute . . . . .          | 5030394      | 000000202 |
|  | b. SCA-163 Coin Chute . . . . .             | 5030875      | 000000204 |
|  | c. SRA-164 Room Card . . . . .              | 5030876      | 000000205 |
|  | d. SFA-191 Push Button Glass Fill . . . . . | 5030877      | 000000203 |
|  | e. Upper Door Panel . . . . .               | 5030238      | 000000241 |
|  | f. Lower Door Panel . . . . .               | 5030237      | 000000242 |
| 2  | Wire Grill . . . . .                        | 5029519      | 000000208 |
| 3  | Water Fill Valve (not shown). . . . .       | 202-FN-SLB-B | 000000209 |
|  | a. Bracket Water Fill Valve . . . . .       | 5011281      | 000000210 |
|  | b. Arm . . . . .                            | 516-06       | 000000558 |
|  | c. Lever Retainer Clip . . . . .            | 517-00       | 000001024 |
| 4  | Wiring Harness                              |              |           |
|  | a. 115V . . . . .                           | 5029448      | 000000213 |
|  | b. 220V . . . . .                           | 5029447      | 000000214 |
| <b>SPA-160, SRA-164, SFA-191, Miscellaneous – Brackets, Screws, etc.</b> |   |              |           |
| 5  | Thumbscrew 8 x 1/2" type A . . . . .        | 5008075      | 97-5008-3 |
| 6  | Clamp 1/4" Grid Black . . . . .             | 5007667      | 97-5009-3 |
| 7  | Label Manitowoc Logo . . . . .              | same         | 81-3001-3 |
|  | a. Snowflake Logo . . . . .                 | same         | 81-3000-3 |
| 8  | Carton Assembly (without pallet) . . . . .  | 5008131      | 97-5064-3 |
|  | a. Carton Pallet . . . . .                  | 5008132      |           |
| 9  | Door Attachment Fastener Latch . . . . .    | 00217721     | 000000211 |
| <b>SRA-164</b>   |   |              |           |
| 10   | Plate Front . . . . .                       | 5008217      | 97-5080-3 |
| 11   | Switch. . . . .                             | 5008269      | 97-5081-3 |
| 12   | Bracket . . . . .                           | 5008270      | 97-5082-3 |
| 13   | Nut 8-32 Hex SS . . . . .                   | 0902103      | 97-5083-3 |
| 14   | Washer Star #8 SS . . . . .                 | 0901915      | 97-5084-3 |
| 15   | Nut 6-32 Kept HH SS . . . . .               | 88000087     | 97-5085-3 |
| 16   | Screw 6-32 x 1" SS PH RH MS . . . . .       | 0900901      | 97-5086-3 |
| 17   | Wiring Harness (not shown). . . . .         | 5008594      | 000000212 |
| 18   | Insert Card Label . . . . .                 | 5008455      | 97-5088-3 |
| 19   | Wiring Diagram Label (SRA-164) (not shown)  |              |           |
|  | a. 115V . . . . .                           | 5029412      | 000000228 |
|  | b. 220/240V. . . . .                        | 5029428      | 000000255 |
| <b>SCA-163</b>   |   |              |           |
| 20   | Coin Mechanism with Microswitch . . . . .   | 5008313      | 97-5056-3 |
| 21   | Timer, Coin Mechanism 115V . . . . .        | 5008325      | 97-5057-3 |
|  | Timer, Coin Mechanism 230V . . . . .        | 5009453      | 97-5060-3 |
| 22   | Bolt Carriage 8-32 x 1" Black. . . . .      | 5008370      | 97-5078-3 |
| 23   | Coin Mechanism Label. . . . .               | 5009899      | 97-5076-3 |
| 24   | Plate . . . . .                             | 5008379      | 97-5077-3 |
| 25   | Nut Kept 42 . . . . .                       | 00201803     | 97-5074-3 |
| 26   | Coin Box. . . . .                           | 5030562      | 000000215 |
|  | a. Coin Box Cover. . . . .                  | 5030561      | 000000216 |
| 27   | Box Lock . . . . .                          | same         | 97-5073-3 |

† Refer to Cross Reference Guide

# SPA-160, SRA-164, SFA-291, SCA-163, SFA-191 CABINET ASSEMBLY

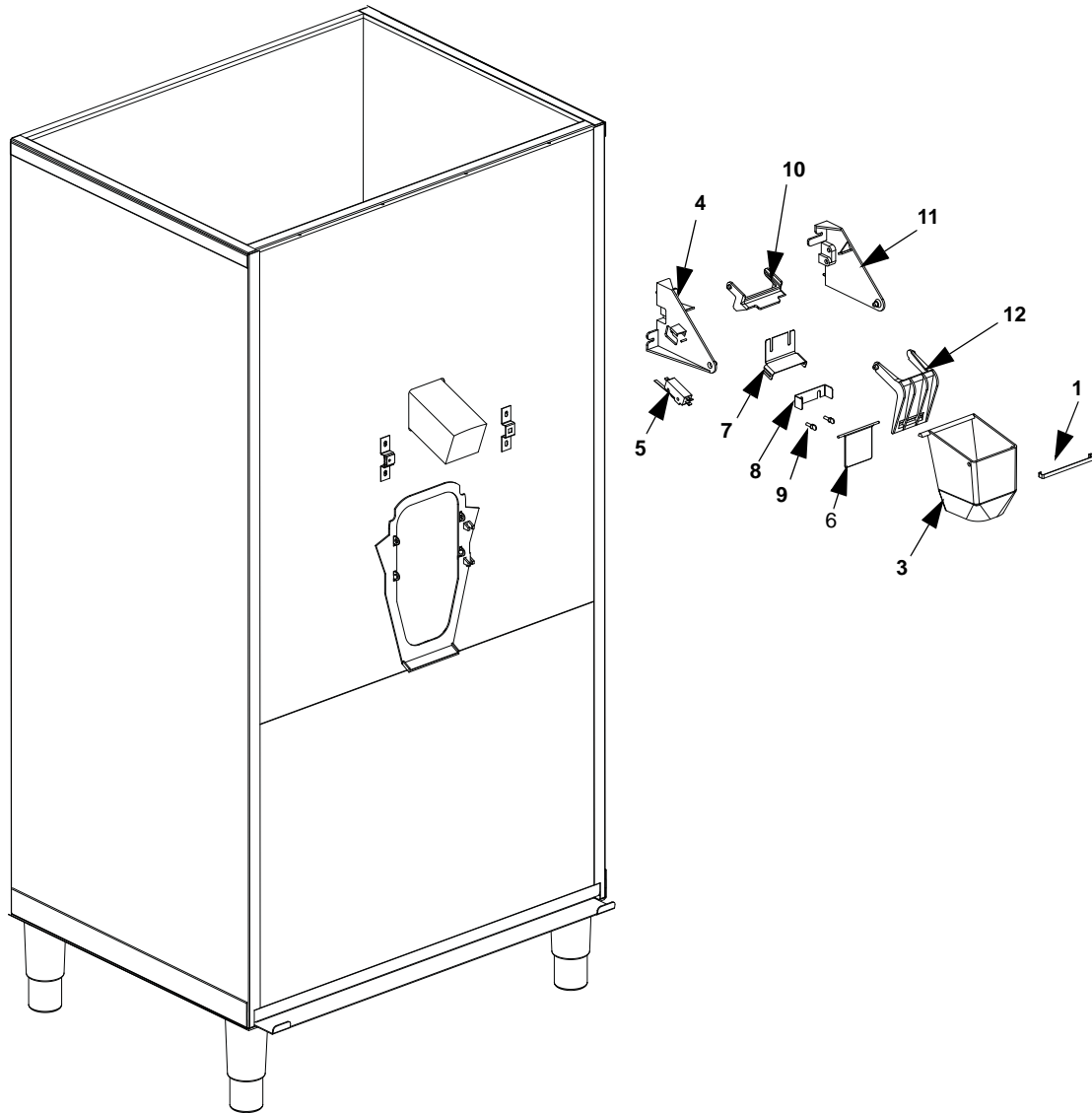


**SPA-160, SRA-164, SCA-163, SFA-191 CABINET ASSEMBLY, CONTINUED**

| DESCRIPTION  |                                   | PART NO.  |             |
|--|-----------------------------------|-----------|-------------|
|  |                                   | New Part  | Old Part    |
| <b>SPA-160, SRA-164, SFA-191, SCA-163 Drain Pan Assembly</b>                     |                                   |           |             |
| 1  | Bracket Drainpan Support .....    | 5029691   | 000000223   |
| 2  | Drain Pan Assembly .....          | 5029307   | 000000225   |
| 3  | Drain Pan Stops .....             | 5014120   | NA          |
| 4  | Tubing Drain w/Insulation .....   | 5010341   | 000000226   |
|  | a. Drain Strainer .....           | 5013878   | NA          |
| <b>SPA-160, SRA-164, SFA-191, SCA-163 Electrical</b>                             |                                   |           |             |
| 5  | Timer Agitation .....             | 020000222 | 020000222   |
| 6  | Label Wiring Diagram .....        | 5029412   | 000000228   |
| <b>SPA-160, SRA-164, SFA-191, SCA-163 Miscellaneous – Brackets, Screws, etc.</b> |                                   |           |             |
| 7  | Trim Decorative                   |           |             |
|  | a. Top .....                      | 5029523   | 000000229   |
|  | b. Bottom .....                   | 5029522   | 000000256   |
| 8  | Front Door Attachment             |           |             |
|  | a. Fastener Strike .....          | 00217722  | 000000230   |
|  | b. Bracket Strike .....           | 5029694   | 000000231   |
|  | c. Clip .....                     | 0900240   | 000000232   |
| 9  | Cover Electrical Box .....        | 5008116   | 97-5052-3   |
| 10   | Box RC Electrical .....           | 5008115   | 97-5053-3   |
| 11   | Cord Electrical (not shown) ..... | 5008642   | 000000244   |
| 12   | Fitting 1/2" Brass .....          | same      | 87-0608-3   |
| 13   | Baffle (not shown) .....          | same      | K00348      |
| 14   | Motor Pin Retaining Bracket ..... | 5010220   | † 97-5065-9 |
| 15   | Legs .....                        | 5030236   | 000000236   |

† Refer to Cross Reference Guide

**SPA-160, SRA-164, SFA-291, SCA-163, SFA-191 ROCKING CHUTE ASSEMBLY  
BEFORE SERIAL NUMBER 610065166**



**DESCRIPTION**

**PART NO.**

**New Part**

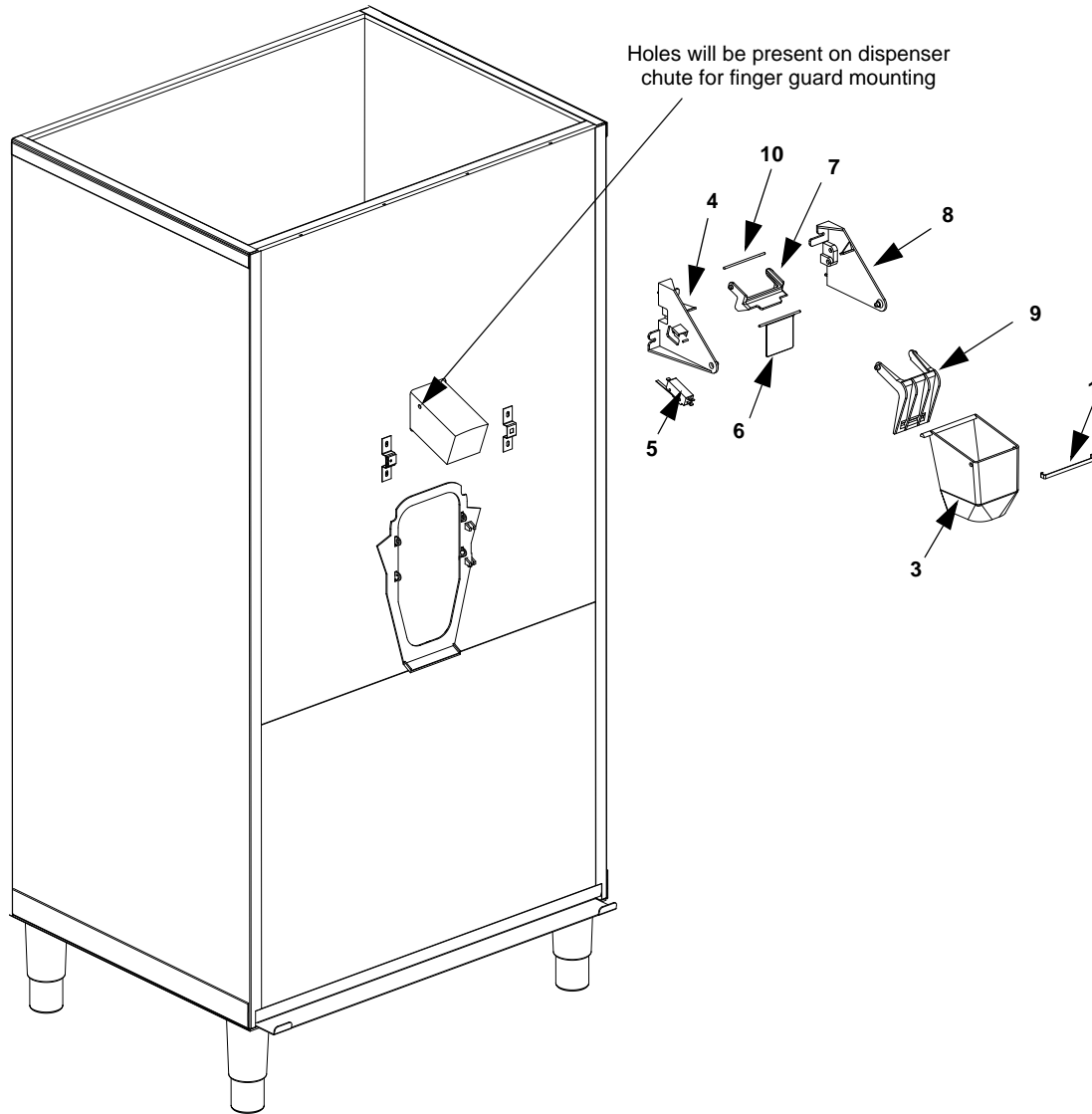
**Old Part**

**ROCKING CHUTE ASSEMBLY**

|    |   |           |           |
|----|---|-----------|-----------|
| 1  | Bracket Rocking Chute Outer . . . . .                           | 5031384   | 95-5011-3 |
| 2  | Label "Push For Ice" . . . . .                                  | 5008636   | 00000243  |
| 3  | Rocking Chute . . . . .   | 5007355   | 97-5013-3 |
| 4  | Bracket Rocking Chute Door Left Hand - Kit includes both sides  | 020002673 | 97-5014-3 |
| 5  | Microswitch . . . . .   | 1000703   | 97-5015-3 |
| 6  | Door Finger Guard . . . . .                                     | 5011788   | 00000220  |
| 7  | Retainer Guard . . . . .  | 5007662   | 97-5017-3 |
| 8  | Retainer Door . . . . .   | 5008112   | 97-5018-3 |
| 9  | Screw #8-32 x 1/2" Knurl w/o Slot . . . . .                     | 5008402   | 00000222  |
| 10 | Lock Rocking Chute Door . . . . .                               | 5002509   | 97-5020-3 |
| 11 | Bracket Rocking Chute Door Right Hand - Kit includes both sides | 020002673 | 97-5021-3 |
| 12 | Door Rocking Chute . . . . .                                    | 5002508   | 97-5022-3 |

† Refer to Cross Reference Guide

**SPA-160, SRA-164, SFA-291, SCA-163, SFA-191 ROCKING CHUTE ASSEMBLY  
AFTER SERIAL NUMBER 610065166**



**DESCRIPTION**

**PART NO.**

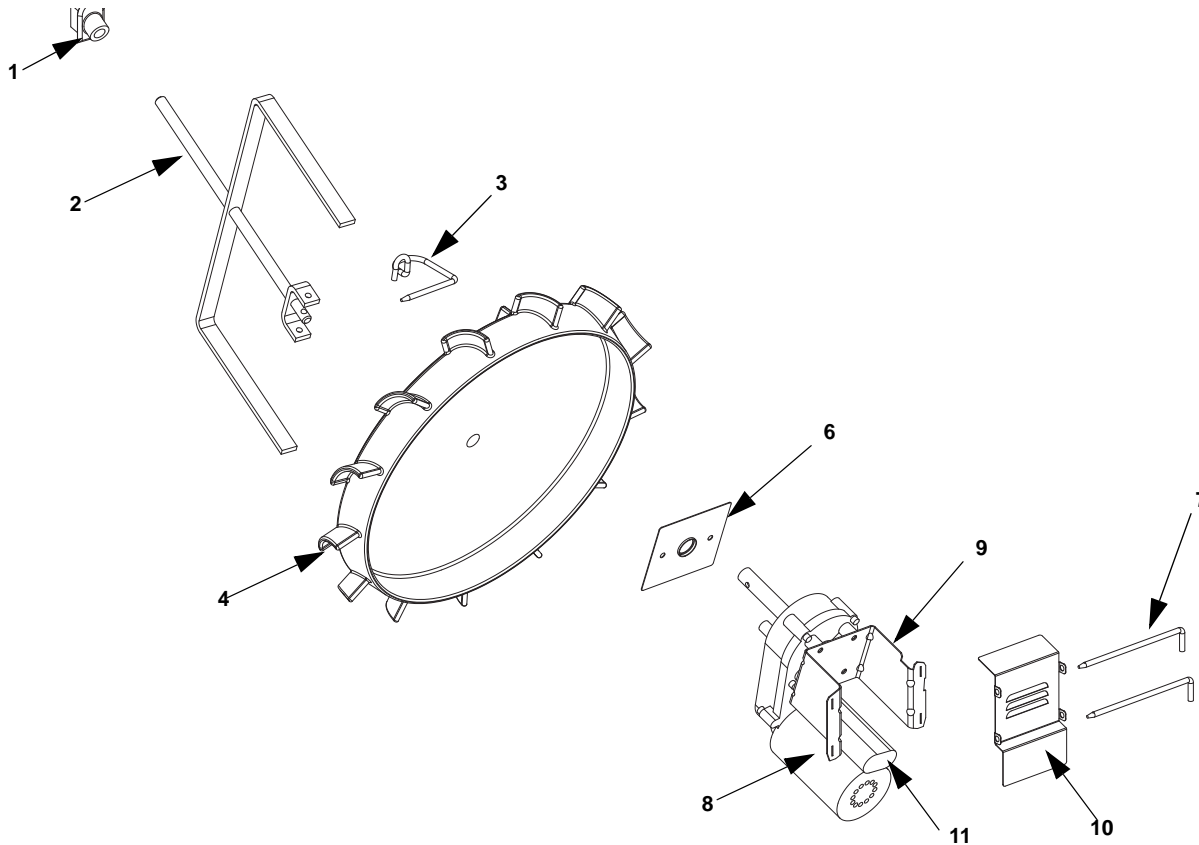
**ROCKING CHUTE ASSEMBLY**

|    |   | <b>New Part</b> | <b>Old Part</b> |
|----|---|-----------------|-----------------|
| 1  | Bracket Rocking Chute Outer . . . . .                           | 5031384         | 95-5011-3       |
| 2  | Label "Push For Ice". . . . .                                   | 5008636         | 00000243        |
| 3  | Rocking Chute . . . . .   | 5007355         | 97-5013-3       |
| 4  | Bracket Rocking Chute Door Left Hand - Kit includes both sides  | 020002673       | 97-5014-3       |
| 5  | Microswitch . . . . .   | 1000703         | 97-5015-3       |
| 6  | Door Finger Guard . . . . .                                     | 020002334       | NA              |
| 7  | Lock Rocking Chute Door . . . . .                               | 5002509         | 97-5020-3       |
| 8  | Bracket Rocking Chute Door Right Hand - Kit includes both sides | 020002673       | 97-5021-3       |
| 9  | Door Rocking Chute. . . . .                                     | 5002508         | 97-5022-3       |
| 10 | Door Rod . . . . .  | 020002389       | NA              |

† Refer to Cross Reference Guide

# SPA-160, SRA-164, SFA-291, SCA-163, SFA-191 PADDLE WHEEL ASSEMBLY

Before Serial Number 610050366



## DESCRIPTION

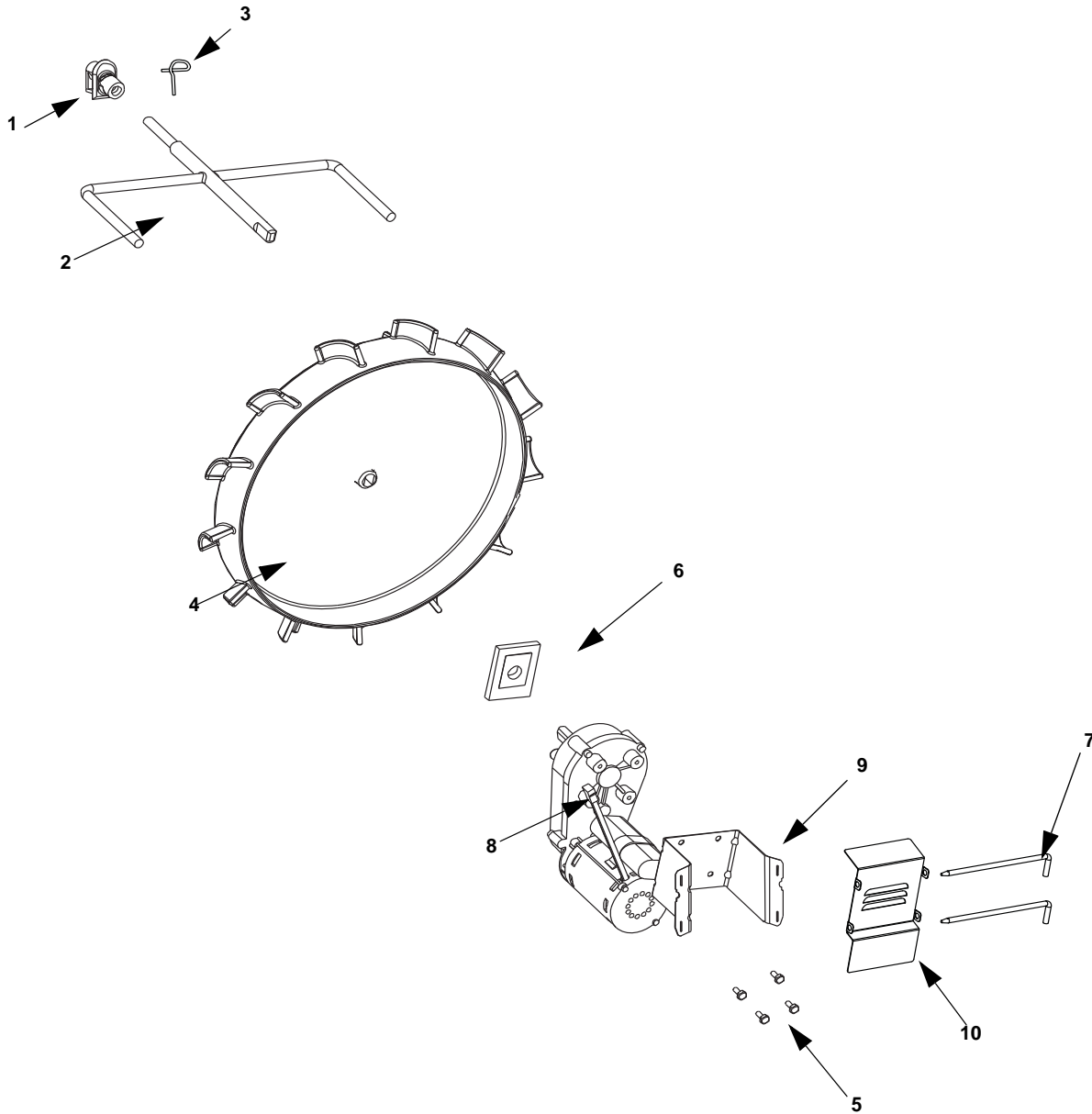
## PART NO.

|    |  | New Part            | Old Part  |
|----|--|---------------------|-----------|
| 1  | Mushroom Bushing . . . . .             | 0101702             | 97-5036-3 |
| 2  | Agitator . . . . .                     | 5009529             | 97-5054-9 |
| 3  | Pin 9.75 SS Agitator Removal . . . . . | 5010452             | 000000237 |
| 4  | Paddle Wheel . . . . .                 | 2601415             | 000000238 |
| 5  | Bolt 1/4 -20 x 5/8" SS HHCS . . . . .  | 0900601             | 97-5040-3 |
| 6  | Motor Insulator . . . . .              | 5030254             | 000000239 |
| 7  | Pin Retaining . . . . .                | 4140023             | 97-5043-3 |
| 8  | Motor/Reducer AO-62                    |                     |           |
|    | a. 115V/60 Hz . . . . .                | 5000868             | 97-5044-3 |
|    | b. 220-240V/50-60 Hz . . . . .         | 5000869             | 97-5055-3 |
| 9  | Motor Mount . . . . .                  | 5001776             | 97-5045-3 |
| 10 | Gearbox Shield . . . . .               | No Longer Available |           |
| 11 | Capacitor 4MFD 440 VAC . . . . .       | 50-0839-8           | 97-5058-3 |
|    | a. Capacitor 120V . . . . .            | 5008877             | 97-5061-3 |



# SPA-160, SRA-164, SFA-291, SCA-163, SFA-191 PADDLE WHEEL ASSEMBLY

After Serial Number 610050366



## DESCRIPTION

## PART NO.

|    |  |                     |
|----|--|---------------------|
| 1  | Mushroom Bushing . . . . .             | 020001418           |
| 2  | Agitator . . . . .                     | 020001420           |
| 3  | Pin 9.75 SS Agitator Removal . . . . . | 020002668           |
| 4  | Paddle Wheel . . . . .                 | 020001423           |
| 5  | Bolt 1/4 -20 x 5/8" SS HHCS . . . . .  | 0900601             |
| 6  | Motor Insulator . . . . .              | 020001424           |
| 7  | Pin Retaining . . . . .                | 41-4002-3           |
| 8  | Motor/Reducer AO-62                    |                     |
|    | a. 115V/60 Hz . . . . .                | 020001417           |
|    | b. 220-240V/50-60 Hz . . . . .         | 020001517           |
| 9  | Motor Mount . . . . .                  | 50-0177-6           |
| 10 | Gearbox Shield . . . . .               | No Longer Available |