

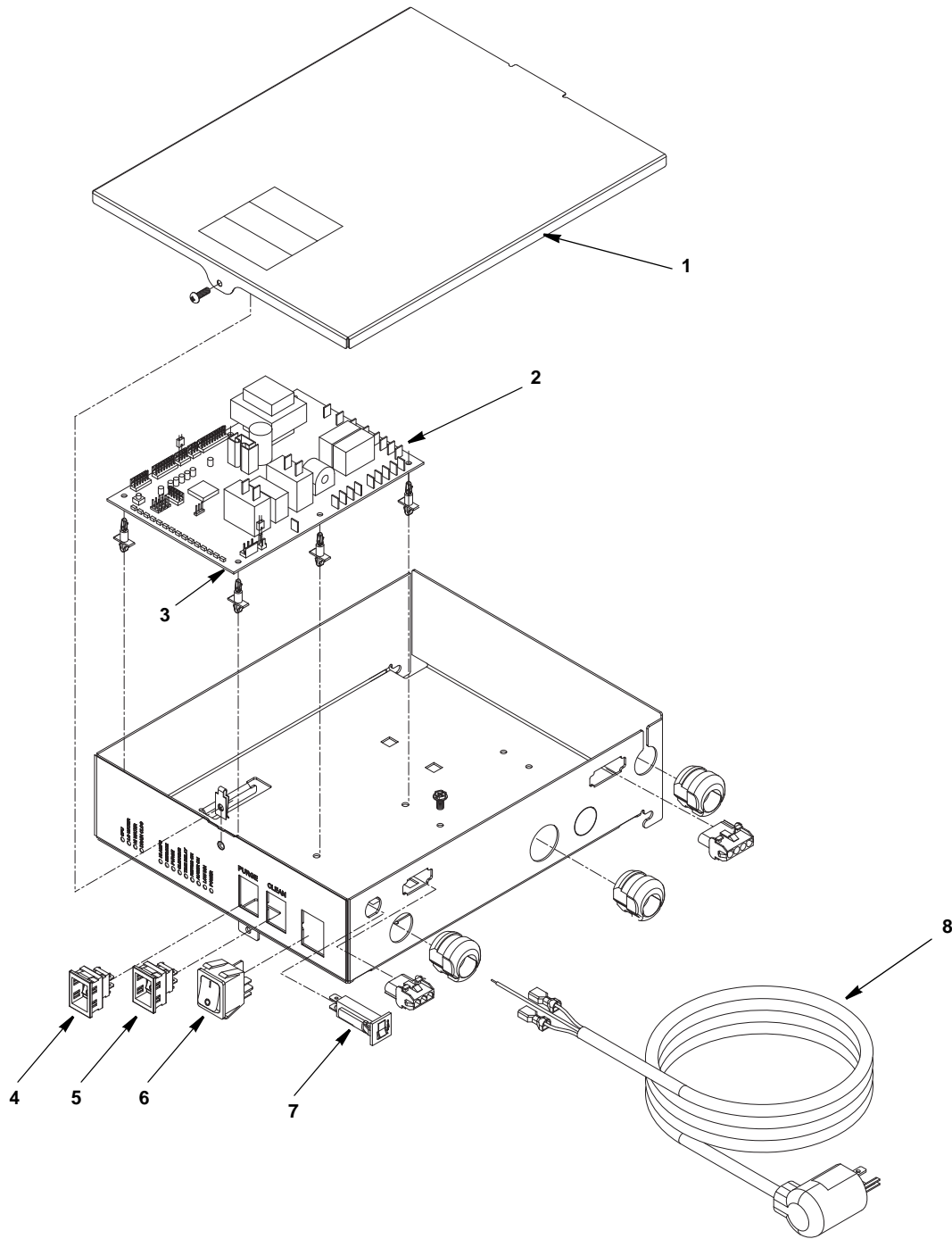


**Ice Machine Parts List for  
Series RN-1200C/RCU1275 Models**

**RN1278C**

**RCU1275**

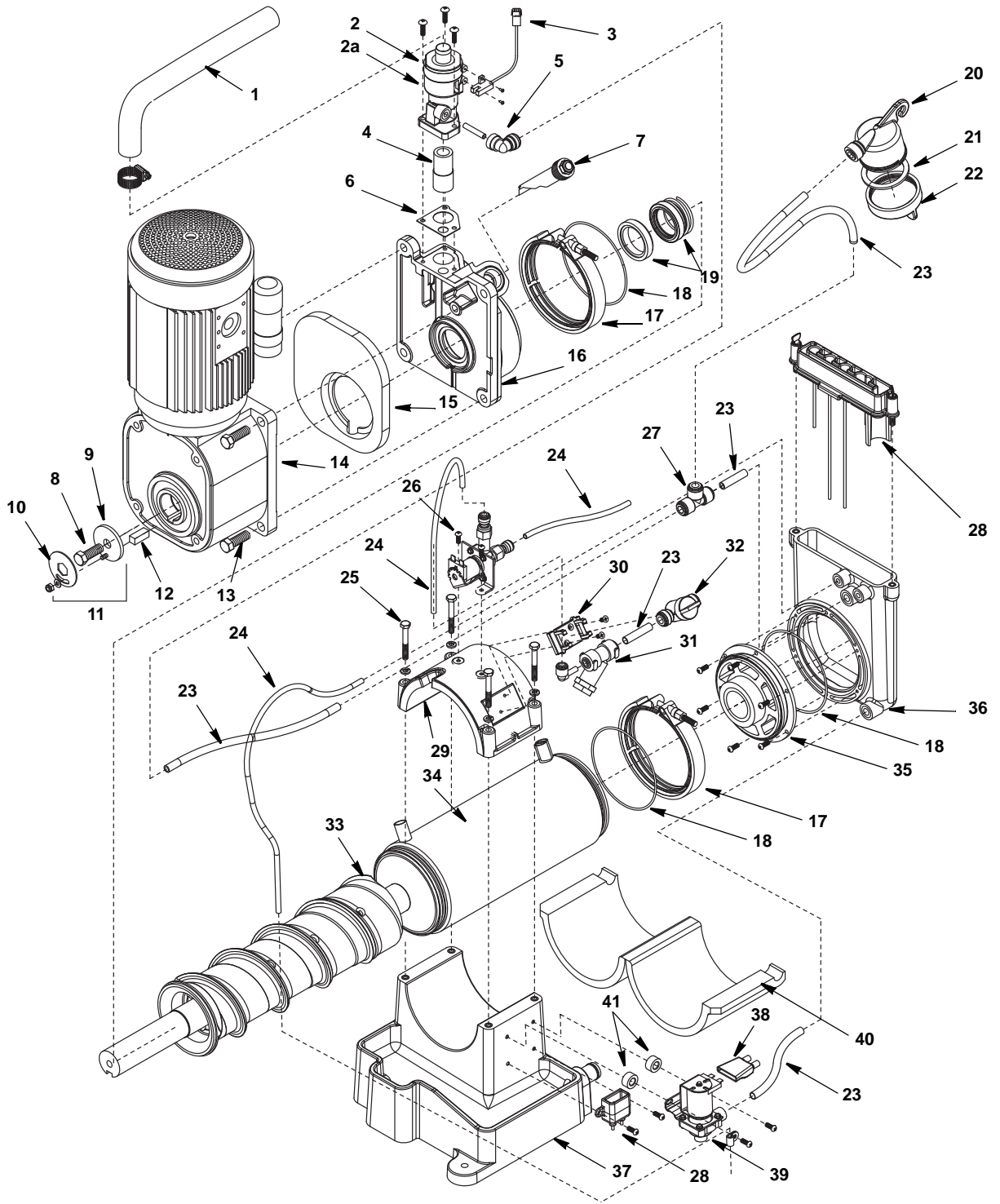
# RN1200C CONTROL BOX



## DESCRIPTION

	<b>DESCRIPTION</b>	<b>PART NO.</b>
1	Cover, electrical box, remote .....	000007401
2	Board, control circuit, 120V (includes 000007293) .....	000007402
3	Stand offs (set of 6) .....	000007293
4	Switch, evaporator purge .....	000007301
5	Switch, evaporator clean .....	000007302
6	Switch, ice machine power .....	208867
7	Circuit breaker, 8 amp .....	000007403
8	Cord, power .....	000007404

# RN1200C EVAPORATOR COMPARTMENT



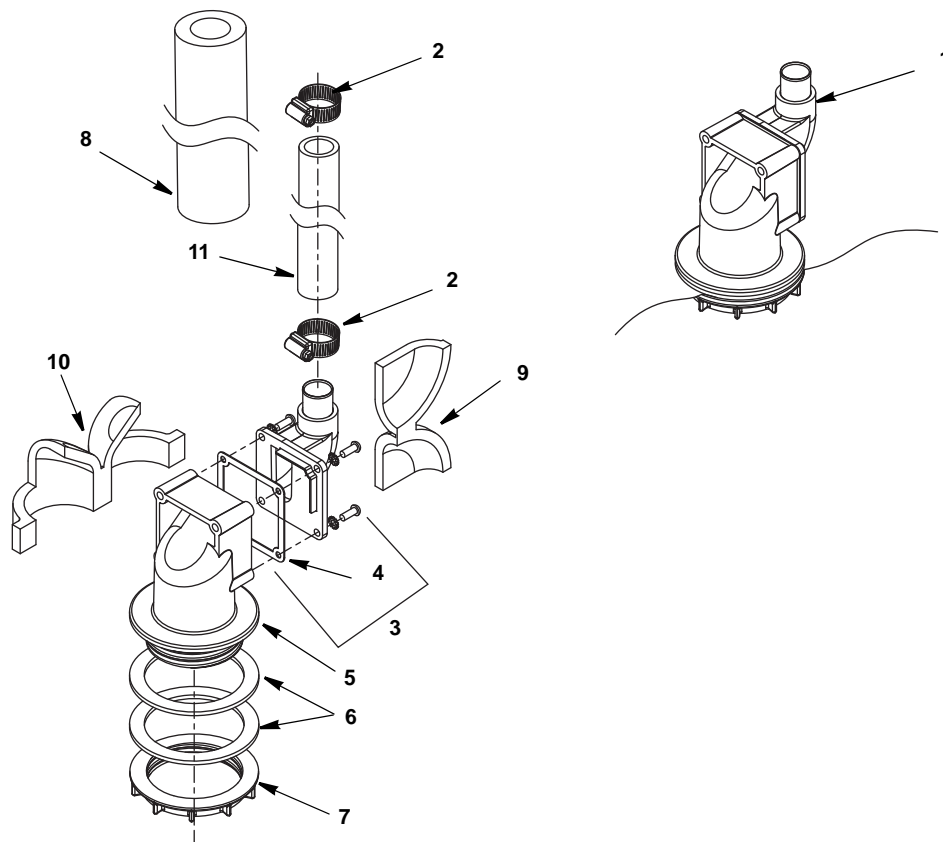
## DESCRIPTION

DESCRIPTION	PART NO.
1 Tube, ice transport, molded .....	000007196
2 Shuttle assembly (includes 000007201) .....	000007197
2a Transport tube shuttle actuator .....	00925719
3 Switch, optical .....	000007198
4 Compression nozzle .....	000007199
5 Elbow, water .....	000007200
6 Gasket, shuttle .....	000007201
7 Stream divider .....	000007203

## RN1200C EVAPORATOR COMPARTMENT

DESCRIPTION	PART NO.
8 Auger bolt	000007204
9 Washer	000007205
10 Retainer, auger bolt	000007206
11 Kit, auger bolt (auger bolt, washer, retainer, nut and washer)	000007207
12 Key	000007208
13 Bolts, gearmotor mounting (4)	00130641
14 Gearmotor, 120V (includes capacitor)	00130799
15 Gasket, gearmotor	000007211
16 Main housing (includes 000007215 & 000007214)	000007212
17 Coupling, V-band	000007213
18 O ring	000007214
19 Seal, auger shaft	000007215
20 Cup, sanitizer	000007216
21 Gasket, sanitizer	000007217
22 Cap, sanitizer (includes 000007217)	000007218
23 Tubing, water, 3/8" OD	000007219
24 Tubing, water, 1/4" OD	000007143
25 Hardware, mounting, evaporator cap	000007221
26 Solenoid, water feed (120V)	00130823
27 Tee, water	000007225
28 Sensor assembly, water level and drain clog	000007226
29 Cap, evaporator (includes 000007250 & 000007221)	000007227
30 Clip, water shut-off valve	000007228
31 Strainer, water	000007126
32 Valve, shut-off, water	000007230
33 Auger (includes 000007215 and 000007214)	000007233
34 Evaporator (includes 000007215 & (2) 000007214)	00137570
35 Journal housing and bearing (includes (2) 000007214)	000007243
36 Reservoir, water	000007244
37 Base, evaporator	000007245
38 Boot, solenoid	000007246
39 Solenoid, purge (120V)	00130757
40 Insulation, evaporator	000007248
41 Spacers, solenoid	000007249
42 Insulation, evaporator cap (Not shown)	000007250
43 Condensate pan (Not shown)	000007251

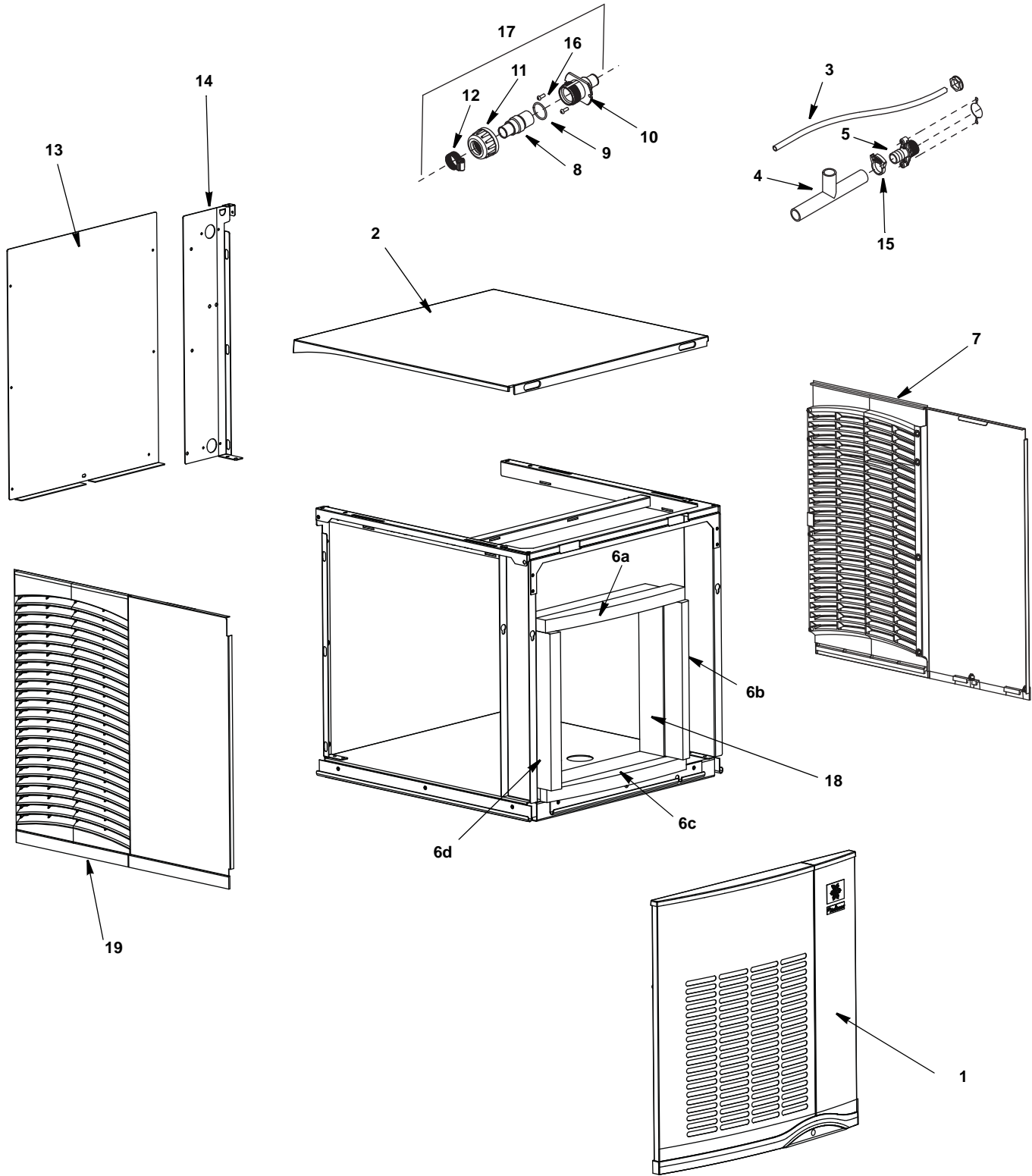
## RN1200C MOUNTING KITS



### DESCRIPTION

DESCRIPTION	PART NO.
1 Shuttle actuator .....	000007307
2 Clamp .....	000007308
3 Actuator elbow (includes 000007311 and hardware) .....	000007309
4 Gasket .....	000007311
5 Actuator body .....	000007312
6 Gasket, coupling .....	000007313
7 Ring, locking (includes 000007313) .....	000007319
8 Insulation, transport tube .....	000007322
9 Insulation, elbow .....	000007323
10 Insulation, actuator .....	000007324
11 Ice transport tube, top mount, 30" (762mm) .....	000007325
12 Integration kit, top mount (Not shown) .....	000007326
13 Integration kit, Satellite-fill (requires transport tube) (Not shown) .....	000007327
14 Extension-fill tube, 9" (Not shown) .....	00135723
15 Extension-fill tube, 4" (Not shown) .....	00153684
16 Sani-Sponge kit (Not shown) .....	000007358

# RN1200C HEAD SECTION PANELS

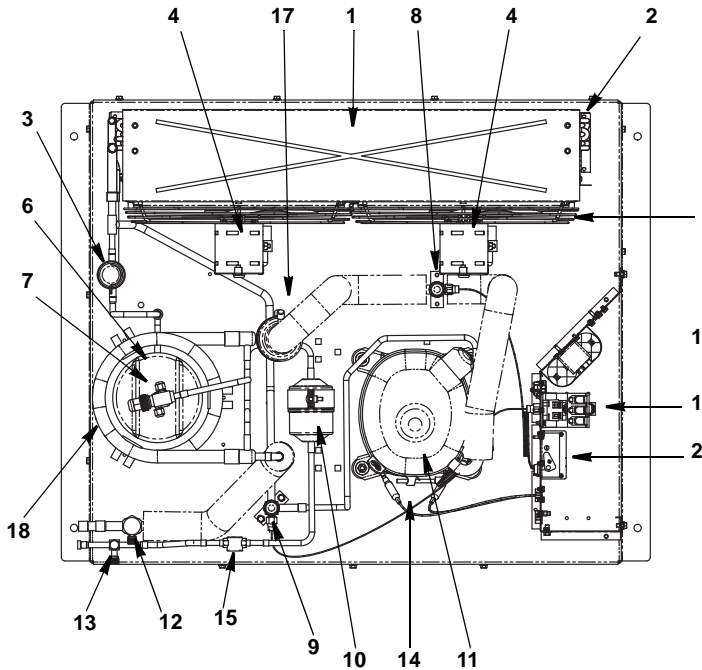


## RN1200C HEAD SECTION PANELS

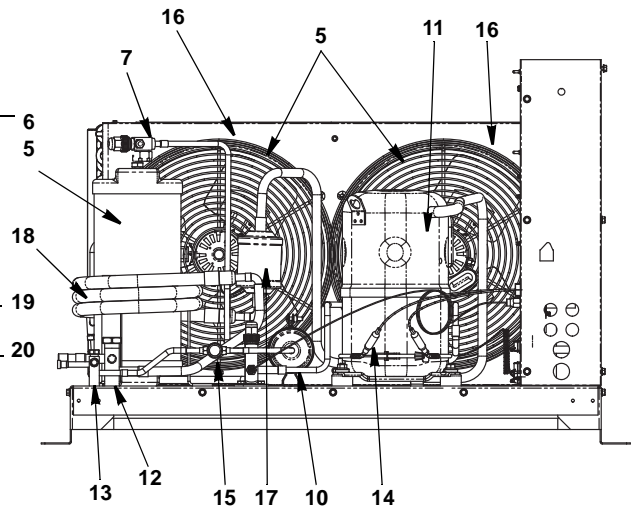
DESCRIPTION	PART NO.
1 Front panel.....	
2 Top cover.....	4015433
3 Tubing, water, 3/8" OD.....	000007219
4 Tubing, drain.....	000007363
5 Fitting, drain.....	000007364
6a Top insulation.....	000006732
6b Right side insulation.....	
6c Bottom insulation.....	000006735
6d Left side insulation.....	
7 Right side panel.....	6060521
8 Coupling (includes 000007368).....	000007367
9 O ring.....	000007368
10 Bulkhead fitting.....	000007369
11 Nut.....	000007370
12 Hose clamp.....	000007308
13 Air-cooled back panel.....	
14 Utility panel.....	6072361
15 Clamp, drain line.....	000007375
16 Screws.....	208568
17 Bulkhead connector kit.....	000007377
18 Condenser shroud.....	
19 Left side panel.....	6060531
20 Air filter (Not Shown).....	00955310
21 Air filter retaining rod, PVC (Not Shown).....	00948551
22 Fitting, water inlet, female wing adapter (Not Shown).....	00137315
23 Drain tube (Not Shown).....	203534

# RCU1275 REMOTE CONDENSER

TOP VIEW



SIDE VIEW

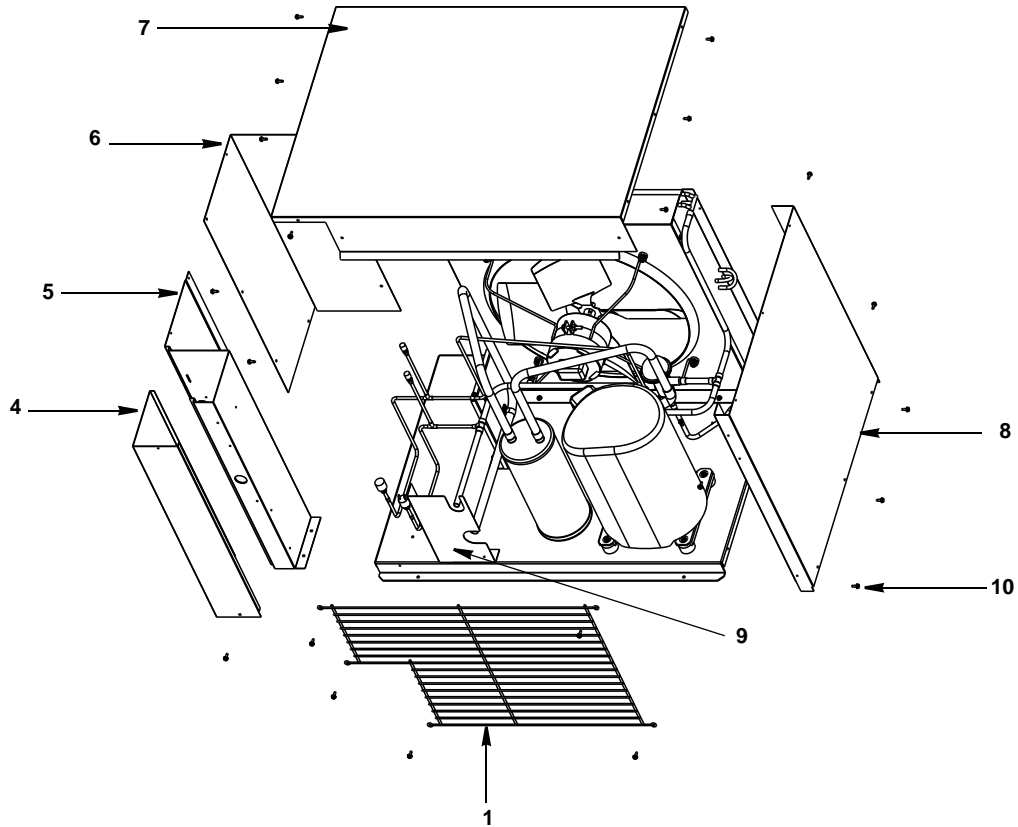


**DESCRIPTION**

DESCRIPTION	PART NO.
1 Shroud . . . . .	00155937
2 Condenser . . . . .	00185843
3 Head pressure control valve . . . . .	00110619
4 Condenser fan motor . . . . .	00173070
5 Condenser fan guard . . . . .	00123067
6 Receiver . . . . .	00110627
7 Receiver service valve . . . . .	00173047
8 Service valve, suction line . . . . .	00185835
9 Service valve, discharge line . . . . .	00175935
10 Filter dryer, liquid . . . . .	00175869
11 Compressor . . . . .	00185785
12 Shut-off valve, suction line . . . . .	00107078
13 Shut-off valve, liquid line . . . . .	00107060
14 Crankcase heater . . . . .	00185827
15 Sight glass . . . . .	00175885
16 Condenser fan blade . . . . .	00173088
17 Filter dryer, suction . . . . .	00173039
18 Heat exchanger . . . . .	00185850
19 Contactor . . . . .	00155952
20 Low pressure switch . . . . .	00173104
21 Check valve (Not Shown) . . . . .	00175893
22 Starting relay (Not Shown) . . . . .	00110585
23 Gasket, receiver service valve (Not Shown) . . . . .	00175901
24 Baffle, shroud (Not Shown) . . . . .	00173096
25 Run capacitor (Not Shown) . . . . .	00141689
26 Starting capacitor (Not Shown) . . . . .	00185793
27 High pressure switch (Not Shown) . . . . .	00173112
28 Fan cycling switch (Not Shown) . . . . .	00173120



## RCU1275 PANELS



### DESCRIPTION

	DESCRIPTION	PART NO.
1	Condenser Fan Guard . . . . .	34-0689-3
2	<b>Fan Motor</b>	
	a. 208-230V/60 Hz/1 Ph (or 3 Ph) . . . . .	† 20-0018-9
	b. 208-230V/50 Hz/1 Ph . . . . .	† 20-0058-3
3	Fan Blade . . . . .	24-1630-3
4	Control Box Cover . . . . .	† 604017-1
5	Control Box Panel . . . . .	603707-1
6	Left Side Panel . . . . .	603729-1
7	Cover Top . . . . .	603475-1
8	Right Side Panel . . . . .	603470-1
9	Bracket . . . . .	† 604226-1

### Miscellaneous – Brackets, Screws, etc.

10	Screw, #10-24 x .50 Hex . . . . .	† 52-0206-9
11	Fan Shroud . . . . .	603704-1
12	Fan Motor Mounting Bracket . . . . .	30-0682-3
13	Fan Motor Mounting Screw . . . . .	† 50-3358-9
	a. Fan Motor Mounting Lockwasher . . . . .	† 55-4511-9
	b. Fan Motor Mounting Hexnut . . . . .	† 54-2952-9
14	Fan Bracket Mounting Screw . . . . .	† 50-3358-9
	a. Fan Bracket Mounting Lockwasher . . . . .	† 55-4511-9
	b. Fan Bracket Mounting Flatwasher . . . . .	† 55-7305-9
	c. Fan Bracket Mounting Rubber Wellnut . . . . .	† 54-2955-9
15	Screw, #10-24 x .50 (Used for Panel Attachment – Not shown) . . . . .	† 52-0206-9

† Refer to Cross Reference Guide