

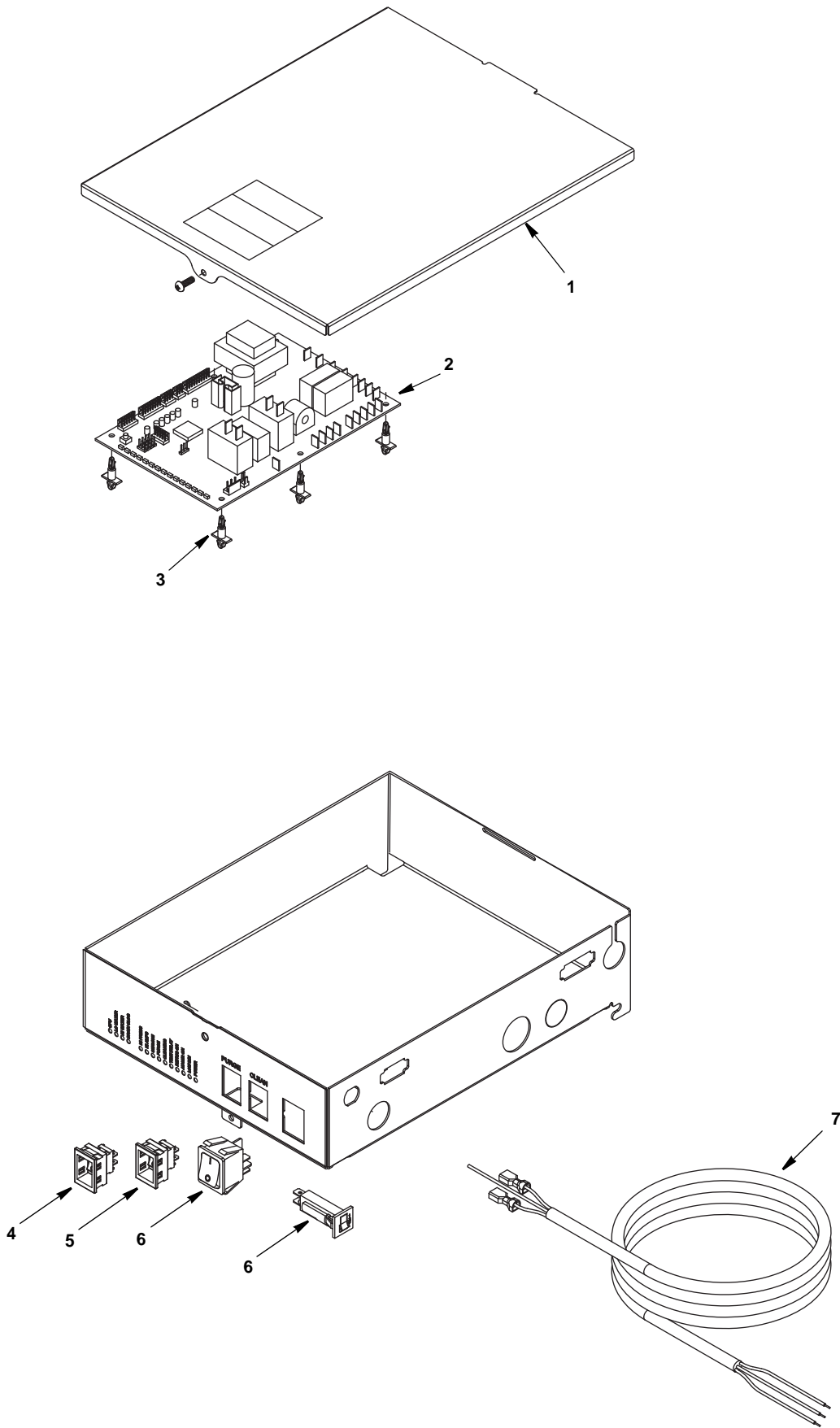


**Ice Machine Parts List for
Series RN-1000C/RCU1075 Models**

RN1078C

RCU1075

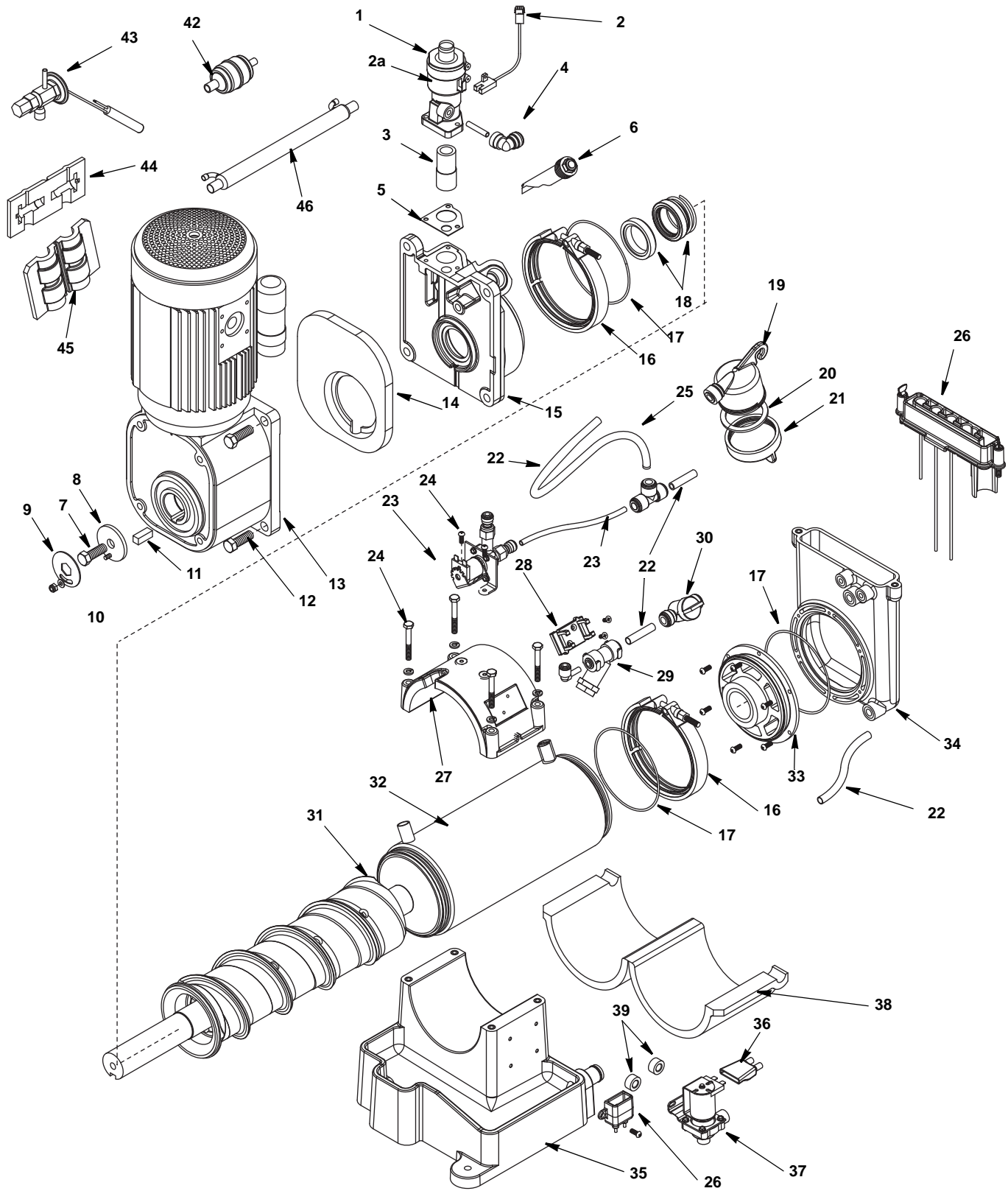
RN1000C CONTROL BOX



RN1000C CONTROL BOX

DESCRIPTION	PART NO.
1 Cover, electrical box, air/water-cooled	000007291
1 Cover, electrical box, remote	000007401
2 Board, control circuit, 120V	000007402
3 Stand offs (set of 6)	000007293
4 Switch, evaporator purge	000007301
5 Switch, evaporator clean	000007302
6 Switch, ice machine power	000007303
6 Circuit breaker, 8 amp	000007403
7 Cord, power, 120V	000007404

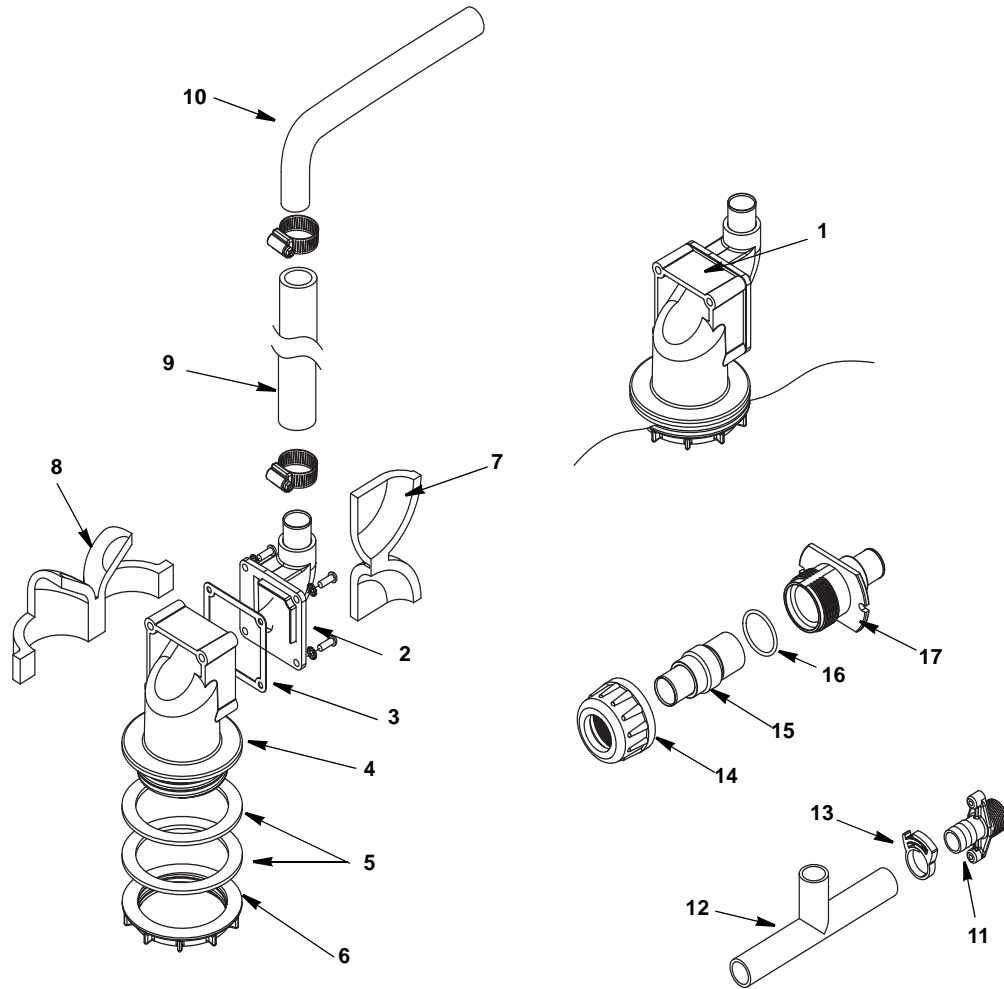
RN1000C EVAPORATOR COMPARTMENT



RN1000C EVAPORATOR COMPARTMENT

DESCRIPTION	PART NO.
1 Shuttle assembly (includes 000007201)	000007197
2 Switch, optical	000007198
3 Compression nozzle	000007199
4 Elbow, water	000007200
5 Gasket, shuttle	000007201
6 Stream divider	000007202
7 Auger bolt	000007204
8 Washer	000007205
9 Retainer, auger bolt	000007206
10 Kit, auger bolt (auger bolt, washer, retainer, nut and washer)	000007207
11 Key	000007208
12 Mounting bolt	000007209
13 Gearmotor, 120V (includes capacitor)	000007540
14 Gasket, gearmotor	000007211
15 Main housing (includes 000007215 & 000007214)	000007212
16 Coupling, V-band	000007213
17 O ring	000007214
18 Seal, auger shaft	000007215
19 Cup, sanitizer	000007216
20 Gasket, sanitizer	000007217
21 Cap, sanitizer (includes 000007217)	000007218
22 Tubing, water, 3/8" OD	000007219
23 Tubing, water, 1/4" OD	000007220
24 Hardware, mounting, evaporator cap	000007221
24 Solenoid, water feed (120V)	000007562
25 Tee, water	000007225
26 Sensor assembly, water level and drain clog	000007226
27 Cap, evaporator (includes 000007250 & 000007221)	000007227
28 Clip, water shut-off valve	000007228
29 Strainer, water	000007229
30 Valve, shut-off, water	000007230
31 Auger (includes 000007215 & 000007214)	000007231
32 Evaporator (includes 000007215 & (2) 000007214)	000007232
33 Journal housing and bearing (includes (2) 000007214)	000007243
34 Reservoir, water	000007244
35 Base, evaporator	000007245
36 Boot, solenoid	000007246
37 Solenoid, purge (120V)	000007561
38 Insulation, evaporator	000007248
39 Spacers, solenoid	000007249
40 Insulation, evaporator cap (Not shown)	000007250
41 Condensate pan (Not shown)	000007251
42 Liquid Line Drier	000007271
43 Thermostatic Expansion Valve (TXV)	000007273
44 Expansion Valve Insulation	000007274
45 Expansion Valve Bulb Insulation	000007269
46 Heat Exchanger	000007288

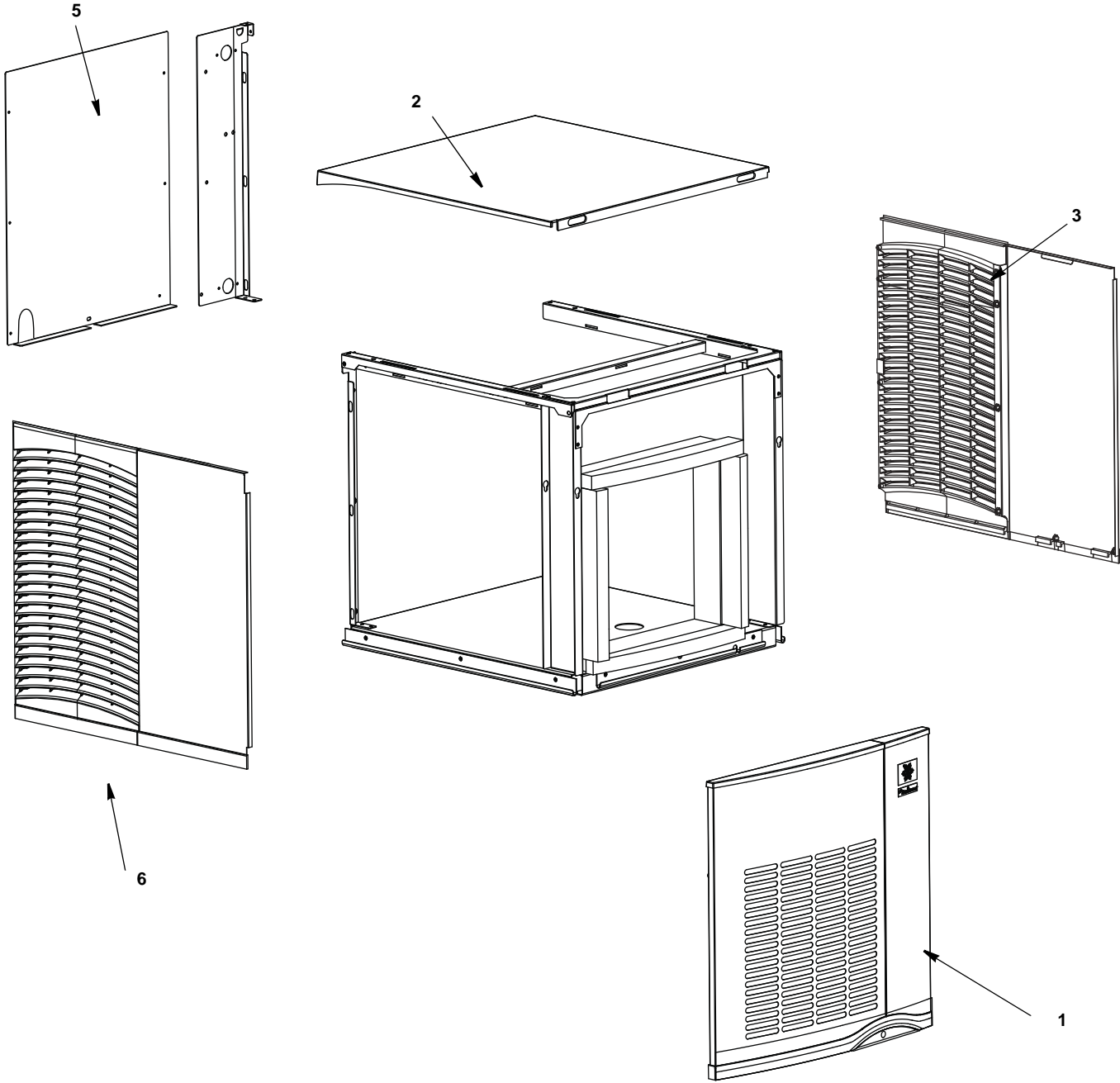
RN1000C COMMON PARTS



DESCRIPTION

DESCRIPTION	PART NO.
1 Shuttle actuator	000007307
2 Actuator elbow (includes 000007311 and fasteners)	000007309
3 Gasket	000007311
4 Actuator body	000007312
5 Gasket, coupling	000007313
6 Ring, locking (includes 000007313)	000007319
7 Insulation, elbow	000007323
8 Insulation, actuator	000007324
9 Ice transport tube	000007325
10 Tube, ice transport, molded	000007196
11 Tubing, drain	000007363
12 Fitting, drain	000007364
13 Clamp, drain line	000007375
14 Nut	000007370
15 Coupling (includes 000007368)	000007367
16 O ring	000007368
17 Bulkhead fitting	000007369
18 Extension-fill tube, 9" (Not shown - extends into bin/dispenser)	000007355
19 Extension-fill tube, 4" (Not shown - extends into bin/dispenser)	000007356
20 Sani-Sponge kit (Not shown - Sponges and push rod)	K00417

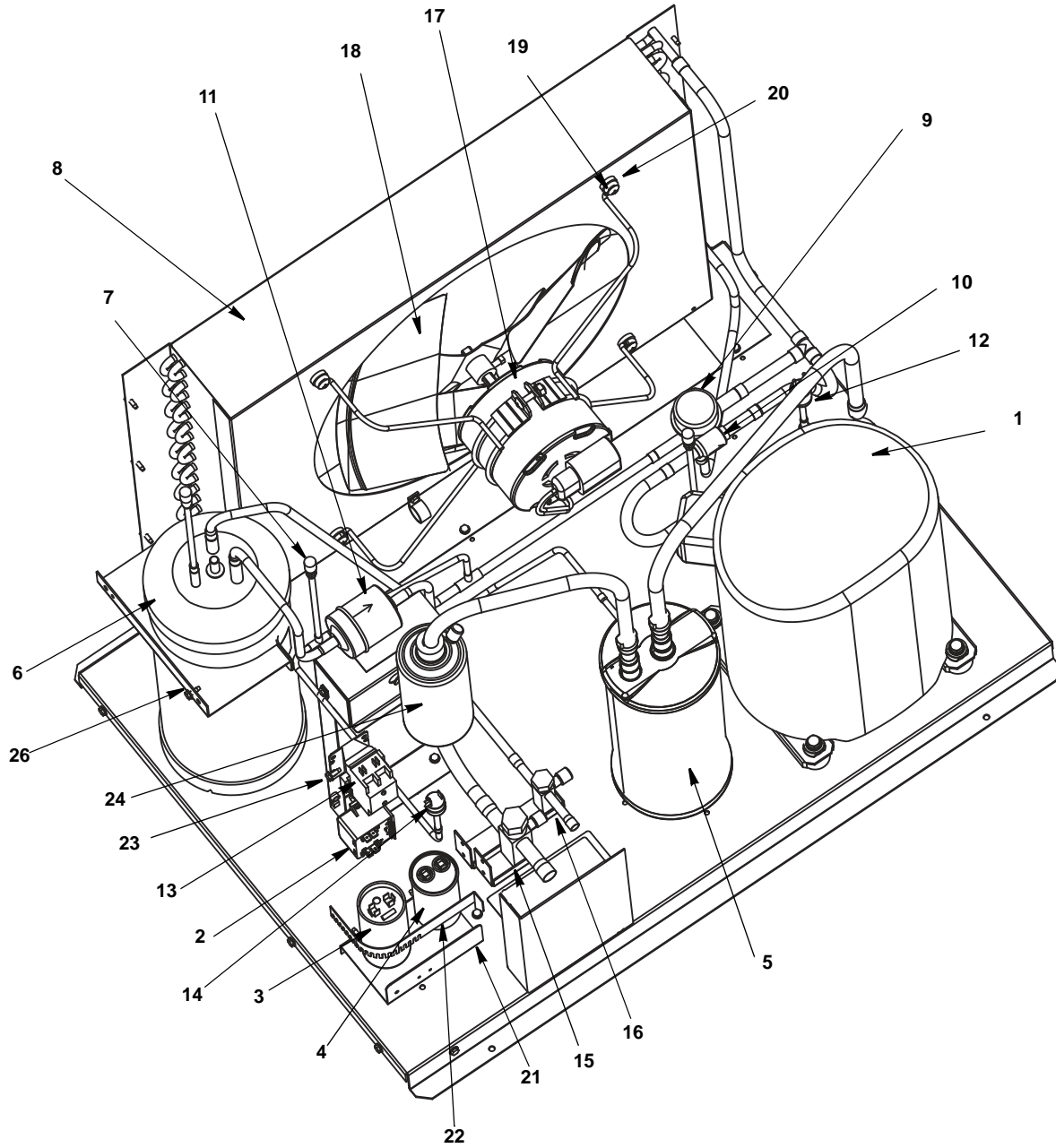
RN1000C PANELS



DESCRIPTION

	PART NO.
1 Front panel.....	000006745
2 Top cover.....	000006737
3 Right side panel.....	6060541
4 Utility panel.....	6072361
5 Left side panel.....	6060551

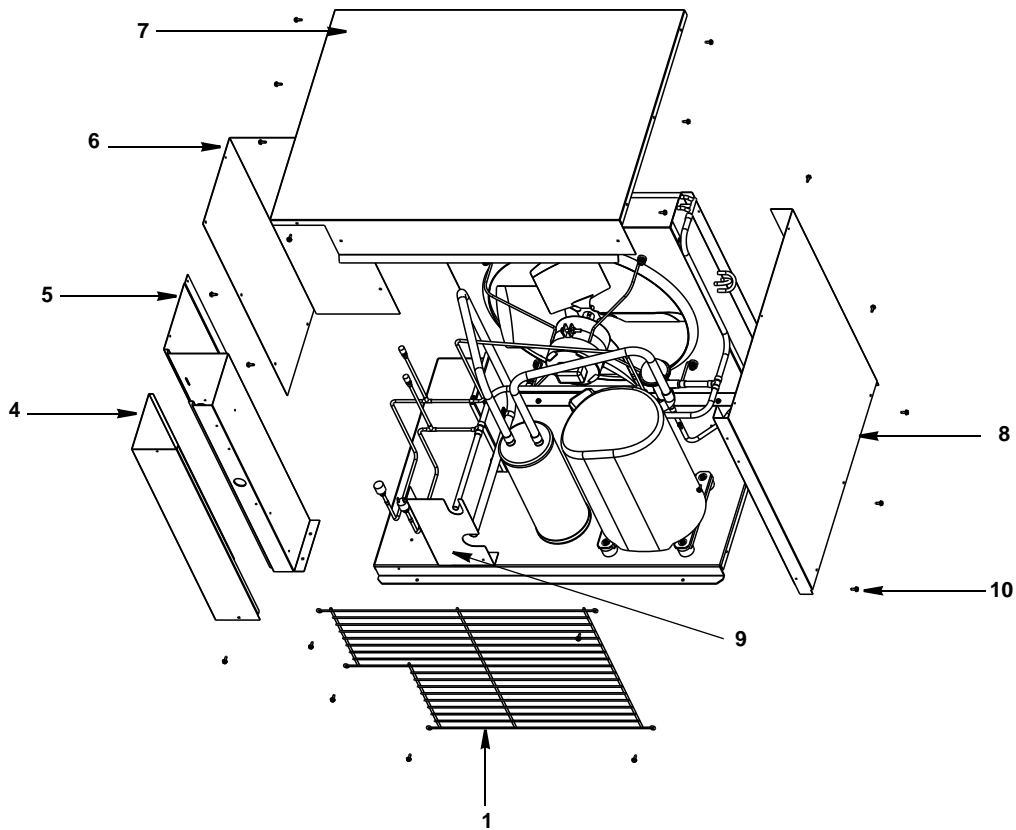
RCU1075 REMOTE CONDENSER



RCU1075 REMOTE CONDENSER

	DESCRIPTION	PART NO.
1	Compressor	
	a. 208-230V/60 Hz/1 Ph	000001736
	b. 208-230V/60 Hz/3 Ph	000001737
	c. 208-230V/50 Hz/1 Ph	000001738
2	Start Relay	
	a. 60 Hz/1 Ph	2007539
	b. 50 Hz/1 Ph	2007543
3	Start Capacitor	
	a. 60 Hz/1 Ph	000006454
	b. 50 Hz/1 Ph	8505513
4	Run Capacitor	
	a. 60 Hz/1 Ph	8503933
	b. 50 Hz/1 Ph	8503933
5	Suction Accumulator	000006838
6	Receiver	8900003
7	Access Valve	8373253
8	Air-cooled Condenser	8851443
9	Head Pressure Control Valve	000000467
10	Check Valve	000001259
11	Liquid Line Drier	8253333
12	High Pressure Cut-out Control	2001243
13	Contactors	
	a. 60 Hz/1 Ph	2007869
	b. 60 Hz/3 Ph	2006619
	c. 50 Hz/1 Ph	2006603
14	Low Pressure Cut-out Control	2002229
15	Suction Shutoff Valve	8373303
16	Liquid Line Shutoff Valve	8373293
17	Condenser Fan Motor	000003031
18	Condenser Fan Blade	2416303
19	Condenser Fan Motor Bracket	3006823
20	Condenser Fan Bracket Rubber Grommet	5429553
	Miscellaneous – Brackets, Screws, etc.	
21	Capacitor Mounting Bracket	6034981
22	Capacitor Mounting Strap	6021601
23	Ground Terminal	5650653
24	Suction Line Filter	8252733
25	Wiring Harness (Not Shown)	
	a. 230V/60 Hz/1 Ph	000006532
	b. 230V/60 Hz/3 Ph	2033083
	c. 230V/50 Hz/1 Ph	000006531
26	Receiver Mounting Bracket (Not Shown)	6000561
27	Copeland Plug Wiring – 3 ph – 50/60 Hz (Not Shown)	2007613
28	Terminal Block – 50 Hz (Not Shown)	2006143

RCU1075 PANELS



DESCRIPTION

	DESCRIPTION	PART NO.
1	Condenser Fan Guard	34-0689-3
2	Fan Motor	
	a. 208-230V/60 Hz/1 Ph (or 3 Ph)	† 20-0018-9
	b. 208-230V/50 Hz/1 Ph	† 20-0058-3
3	Fan Blade	24-1630-3
4	Control Box Cover	† 604017-1
5	Control Box Panel	603707-1
6	Left Side Panel	603729-1
7	Cover Top	603475-1
8	Right Side Panel	603470-1
9	Bracket	† 604226-1

Miscellaneous – Brackets, Screws, etc.

10	Screw, #10-24 x .50 Hex.	† 52-0206-9
11	Fan Shroud	603704-1
12	Fan Motor Mounting Bracket	30-0682-3
13	Fan Motor Mounting Screw	† 50-3358-9
	a. Fan Motor Mounting Lockwasher	† 55-4511-9
	b. Fan Motor Mounting Hexnut	† 54-2952-9
14	Fan Bracket Mounting Screw	† 50-3358-9
	a. Fan Bracket Mounting Lockwasher	† 55-4511-9
	b. Fan Bracket Mounting Flatwasher	† 55-7305-9
	c. Fan Bracket Mounting Rubber Wellnut	† 54-2955-9
15	Screw, #10-24 x .50 (Used for Panel Attachment – Not shown)	† 52-0206-9