

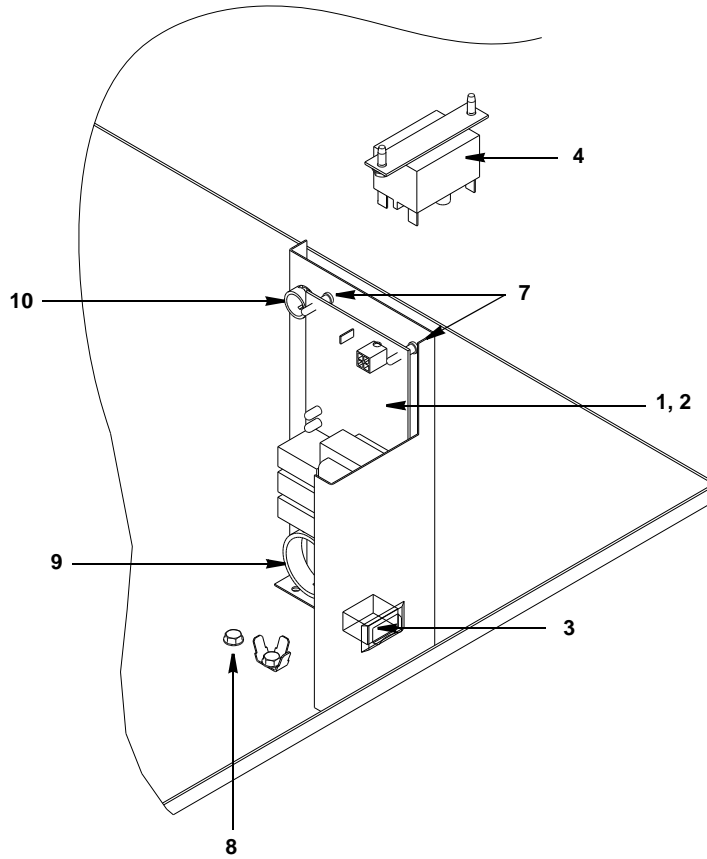


**Ice Machine Parts List for
Series QM45 Models**

QM45A

QM45AE

QM45 CONTROL BOX



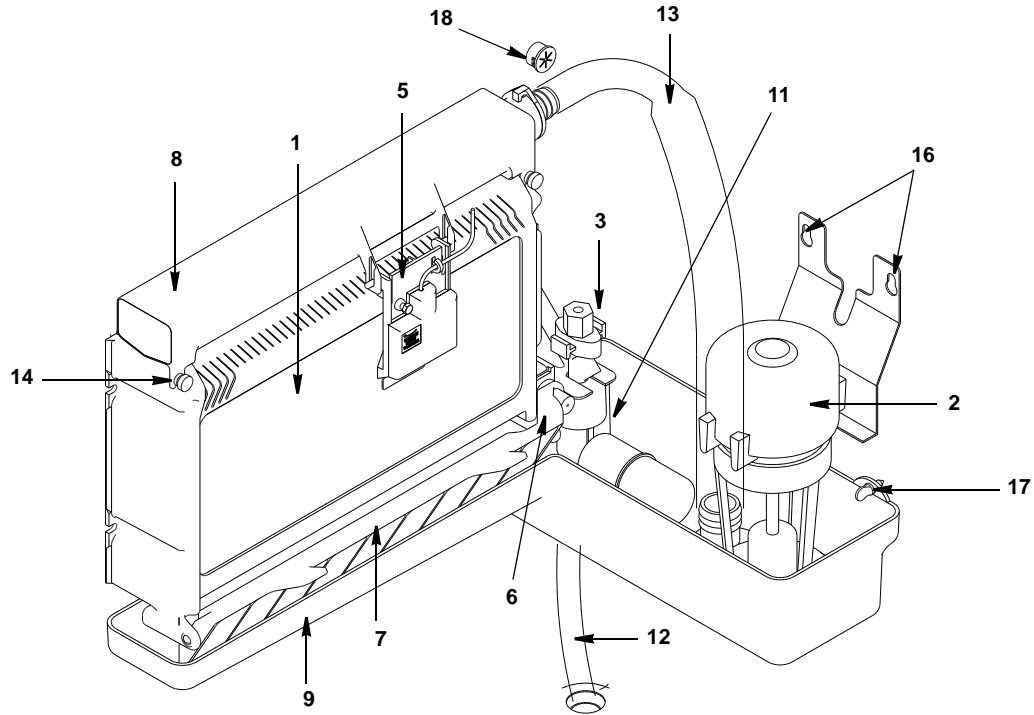
pt1274

DESCRIPTION

| | | PART NO. |
|---|--|-----------------|
| 1 | Control Board (for use with all voltages) | † 76-2907-3 |
| 2 | 10 Amp Fuse – Mounted on Control Board | 25-1149-3 |
| 3 | Toggle Switch Only | 23-0151-3 |
| | a. Toggle Switch Wiring Harness Only | 20-3248-3 |
| 4 | Relay | |
| | a. 115V/60 Hz/1 Ph | 85-0553-3 |
| | b. 230V/50-60 Hz/1 Ph | 85-0554-3 |
| 5 | Wiring Harness | |
| | a. Air-Cooled (Not shown) | 20-0830-3 |
| | b. Ice Thickness Control Probe (Wire Lead and Connectors Only) | 20-0701-3 |
| | Ice Thickness Control Probe (Wire Lead and Connectors Only) | 76-0160-3 |
| 6 | Power Cord | |
| | a. 125V/60 Hz (Not shown) | 20-3301-3 |
| | b. 230V/50 Hz (Not shown) | 20-3302-3 |
| Miscellaneous – Brackets, Screws, etc. | | |
| 7 | Control Board Mounting Supports | 43-0225-3 |
| 8 | Screw, #10-24 x .50 Ground | 52-0233-3 |
| 9 | Bushing | † 25-0013-9 |
| 10 | Bushing | † 25-0218-9 |

† Refer to Cross Reference Guide

QM45 EVAPORATOR ASSEMBLY



pt1273

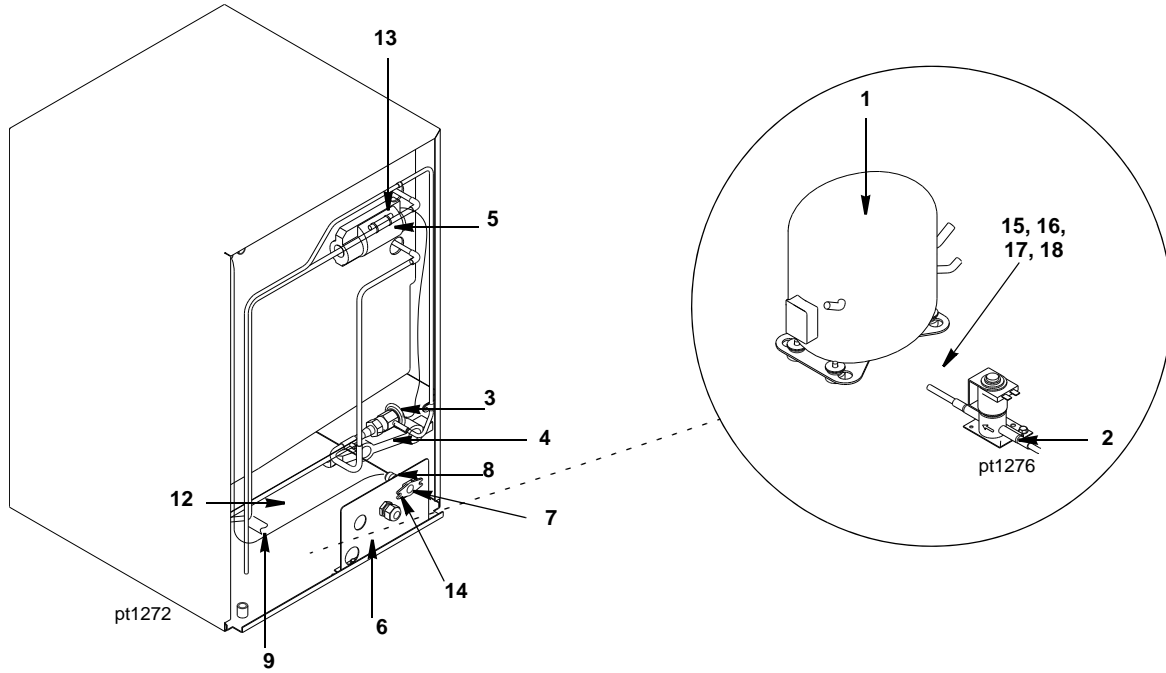
DESCRIPTION

PART NO.

| | | |
|---|--|-------------|
| 1 | Evaporator Assembly | |
| a. | Dice Cube | † 76-2946-3 |
| 2 | Water Pump | |
| a. | 115V/60 Hz | † 76-2306-3 |
| b. | 230V/50 Hz | † 76-2601-3 |
| 3 | Float Valve (Complete Assembly) - Up to Serial Number 031100000 | † 76-0213-3 |
| 4 | Float Valve (Complete Assembly) - After Serial Number 031100000 | 83-6904-9 |
| a. | Float Valve Screen | † 83-6906-9 |
| b. | Float Valve Plunger | † 83-6908-9 |
| c. | Float Valve Compression Nut | † 56-5072-9 |
| 5 | Ice Thickness Control Probe | † 76-0160-3 |
| 6 | Magnetic Bin Switch (Mounted to Evaporator) | † 23-0148-3 |
| 7 | Ice Damper | † 76-0049-3 |
| a. | Ice Damper Magnet and Cap | 76-2909-3 |
| 8 | Water Distribution Tube | 43-0426-3 |
| 9 | Water Trough | 43-0412-3 |
| 10 | Water Inlet Tubing (Not shown) | 44-2029-1 |
| 11 | Siphon Cap | 43-0222-3 |
| Miscellaneous – Brackets, Screws, etc. | | |
| 12 | Drain Tube | † 76-0086-3 |
| 13 | Tubing (Water Pump Out) | 40-1205-3 |
| 14 | Screw, #8-32 x .63 Nylon Water Distribution Tube Mounting | † 50-0001-3 |
| 15 | Screw, #10-24 x .750 Used to Mount Evaporator (Not shown) | † 52-0218-9 |
| 16 | Screw, #10-24 x .50 | † 52-0206-9 |
| 17 | Thumbscrew, #8-32 x .625 | 53-0510-3 |
| 18 | Bushing (Ice Thickness Probe Wire) | † 25-0016-9 |
| 19 | Water Pump Lead (Not Shown) | 20-7806-3 |

† Refer to Cross Reference Guide

QM45 REFRIGERATION COMPARTMENT – COMMON PARTS

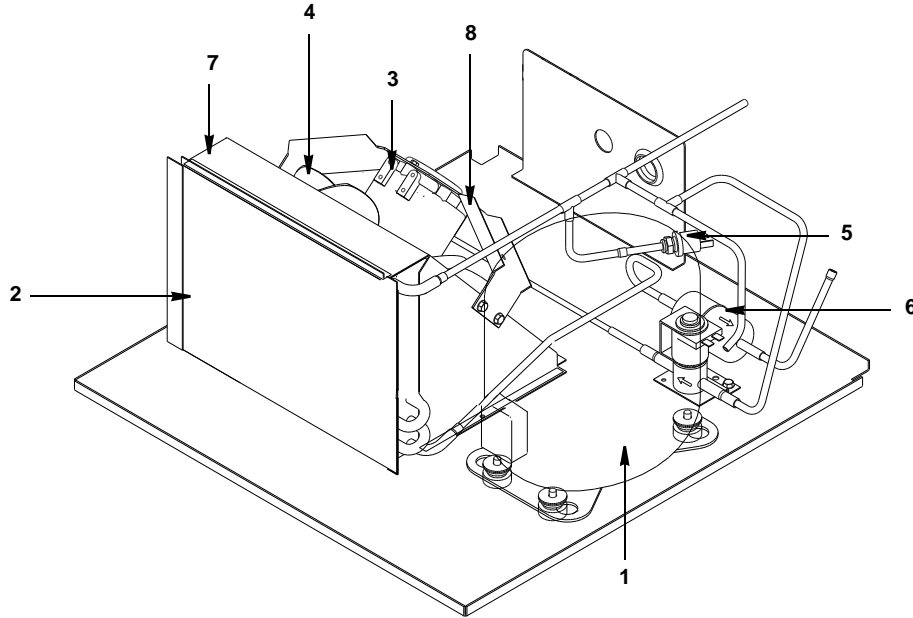


DESCRIPTION

| | | PART NO. |
|---|---|-----------------|
| 1 Compressor | | |
| a. | 115V/60 Hz/1 Ph | † 76-2918-3 |
| b. | Overload for Compressor | † 85-0568-3 |
| c. | Starting Device | 85-0570-3 |
| d. | 230V/50 Hz/1 Ph | † 76-2919-3 |
| e. | Overload for Compressor | † 85-0550-3 |
| f. | Starting Device | 85-0569-3 |
| 2 Hot Gas Valve | | |
| a. | Hot Gas Valve Including 115V 60 Hz Electrical Coil (Danfoss) | † 76-3000-1 |
| b. | Hot Gas Valve 115V Coil Only Danfoss | 000005156 |
| c. | Hot Gas Valve 115V Coil Only Alco | 24-0436-3 |
| d. | Hot Gas Valve Including 208/230V 50/60 Hz Electrical Coil (Danfoss) | † 76-3006-1 |
| e. | Hot Gas Valve 230V/50 Hz Coil Only Danfoss | 000005157 |
| f. | Hot Gas Valve 230V/50 Hz Coil Only Alco | † 24-0448-3 |
| 3 Expansion Valve | | † 76-2950-3 |
| 4 Expansion Valve Body Insulation Boot | | 40-0721-3 |
| 5 Expansion Valve Bulb Insulation Boot | | 40-0720-3 |
| Miscellaneous – Brackets, Screws, etc. | | |
| 6 Bracket (Water/Electrical Inlet) | | 603515-1 |
| 7 Water Inlet Female Wing Adapter | | † 87-0609-3 |
| 8 Male Connector 1/4" OD x 1/8" NTPF | | 13-6096-1 |
| 9 Bin Drain Tubing (Molded) | | 44-2144-3 |
| 10 Bin Drain Hose Clamp (Not shown) | | † 56-5064-9 |
| 11 Drain Tube | | 44-2141-3 |
| 12 Water Inlet Tubing .375 ID | | 44-2029-1 |
| 13 Clamp, Expansion Valve Bulb | | † 56-5052-9 |
| 14 Screw, #10-24 x .50 | | † 52-0206-9 |
| 15 Compressor Mounting Retainer | | † 56-4826-9 |
| 16 Compressor Mounting Washer | | † 55-7317-9 |
| 17 Compressor Clevis Pin 1/4" x 1" | | † 37-1210-9 |
| 18 Compressor Hairpin Clip | | † 56-4828-9 |

† Refer to Cross Reference Guide

QM45 REFRIGERATION COMPARTMENT – AIR-COOLED



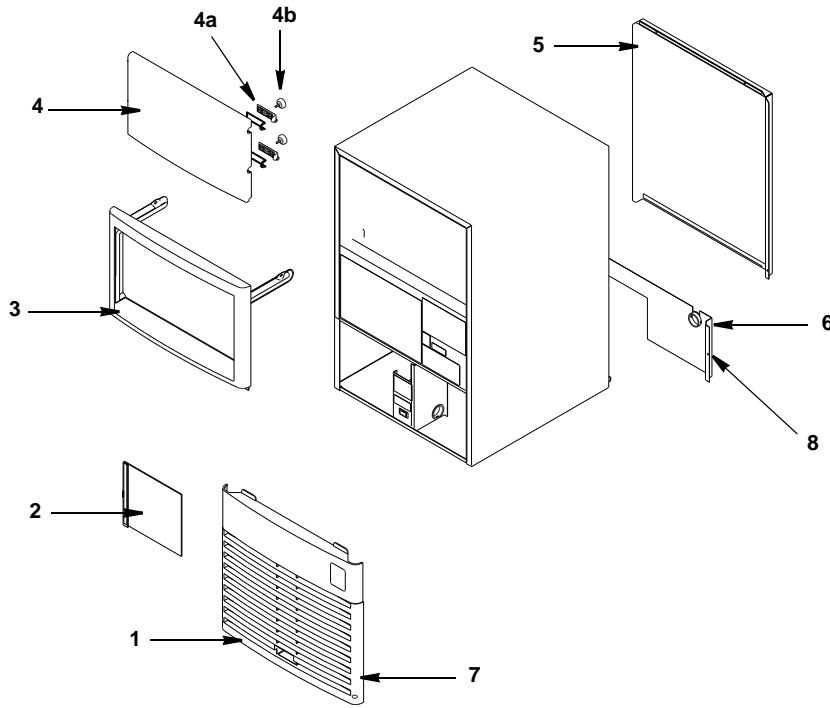
pt1275

DESCRIPTION

| | PART NO. |
|--|-----------------|
| 1 Compressor (Refer to COMMON PARTS Page) | Page 4 |
| 2 Air Condenser | 88-5135-3 |
| 3 Fan Motor | |
| a. 115V | † 76-2961-3 |
| b. 230V/50 Hz | 20-0021-9 |
| 4 Fan Blade | 24-1624-3 |
| 5 Fan Cycling Control | 23-5545-3 |
| 6 Drier | † 89-3025-9 |
| Miscellaneous – Brackets, Screws, etc. | |
| 7 Fan Shroud | 602938-1 |
| 8 Fan Motor Mounting Bracket | 602940-1 |
| 9 Speed Nut to Mount Fan Blade (Not shown) | † 54-7507-9 |

† Refer to Cross Reference Guide

QM45 PANELS



pt1277

DESCRIPTION

| DESCRIPTION | PART NO. |
|--|------------|
| 1 Front Panel Assembly | 76-2921-3 |
| 2 Air Filter | 76-2922-3 |
| 3 Door Frame Assembly | 040000627 |
| 4 Bin Door | 43-0408-3 |
| a. Door Pin Gasket and Door Pin Assembly | 76-2923-3 |
| b. Door Pin Thumbscrews | 50-1235-3 |
| 5 Back Panel, Upper | † 604710-1 |
| 6 Back Panel, Lower | 602946-1 |

Miscellaneous – Brackets, Screws, etc.

| | |
|-----------------------------------|-------------|
| 7 Front Cover Screw | † 52-0223-9 |
| 8 Screw, #10-24 x .50 | † 51-2153-9 |
| 9 Ice Scoop (Not shown) | 33-0258-3 |