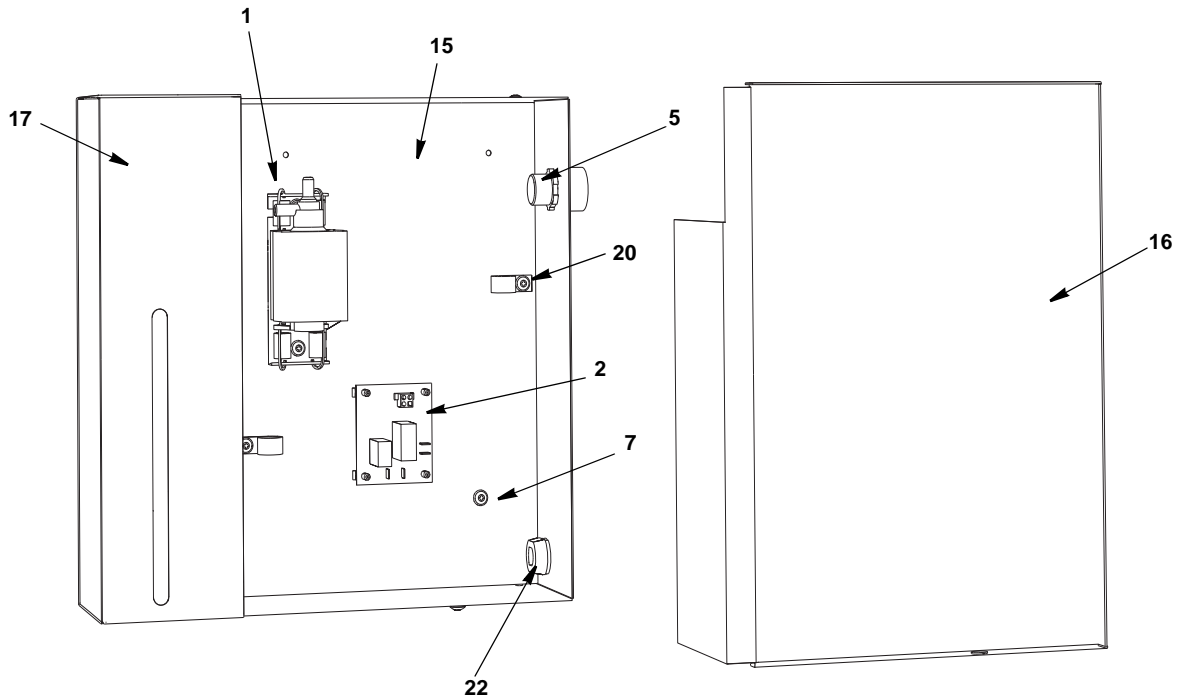




**Indigo Model  
iAuCs Series**

# AUXILIARY CLEANING SYSTEM



## Description

Description	Part No
1 Pump	
a. 115V/50-60/1 .....	000008735
b. 230V/50-60/1 .....	000008736
c. Bracket .....	000008907
2 Control Board	
a. 115-230/50-60/1 .....	000008120
b. Control board supports .....	43-0225-3
3 Power Wiring Harness .....	000009067
4 Vinyl Tubing .25 ID .....	44-2088-3
5 Fitting PVC Conduit .....	25-0226-3
6 Hose Clamp .....	56-5082-3
7 Screw #10-24x.50 (Ground) .....	50-2932-3
8 Lockwasher #10 .....	55-7320-9
9 Screw #8-15x.50 .....	51-2164-9
10 Screw #10x24x 1/2 .....	52-0206-9
11 Ice Machine Cleaner	
a. US Shipment .....	000005163
b. International Shipment .....	000005162
12 Ice Machine Sanitizer	
a. US Shipment .....	000005165
International Shipment .....	000005164
13 Y-Fitting .....	40-1044-9
14 Plastic Cap .....	94-0016-3
15 Control Box .....	601097-1
16 Front Cover Right Hand .....	601098-1
17 Front Cover Left Hand .....	600204-1
18 False Bottom .....	000008121
19 Control Box Mounting Bracket .....	76-2804-3
20 Wiring Harness Clip .....	56-5080-9
21 Strain Relief Bushing 115/60/1 .....	25-1203-3
22 Strain Relief Bushing 230/50-60/1 .....	25-1206-3
23 Locknut .....	25-0220-3
24 Screw (front cover mounting) #8-32x.50 .....	50-2624-3