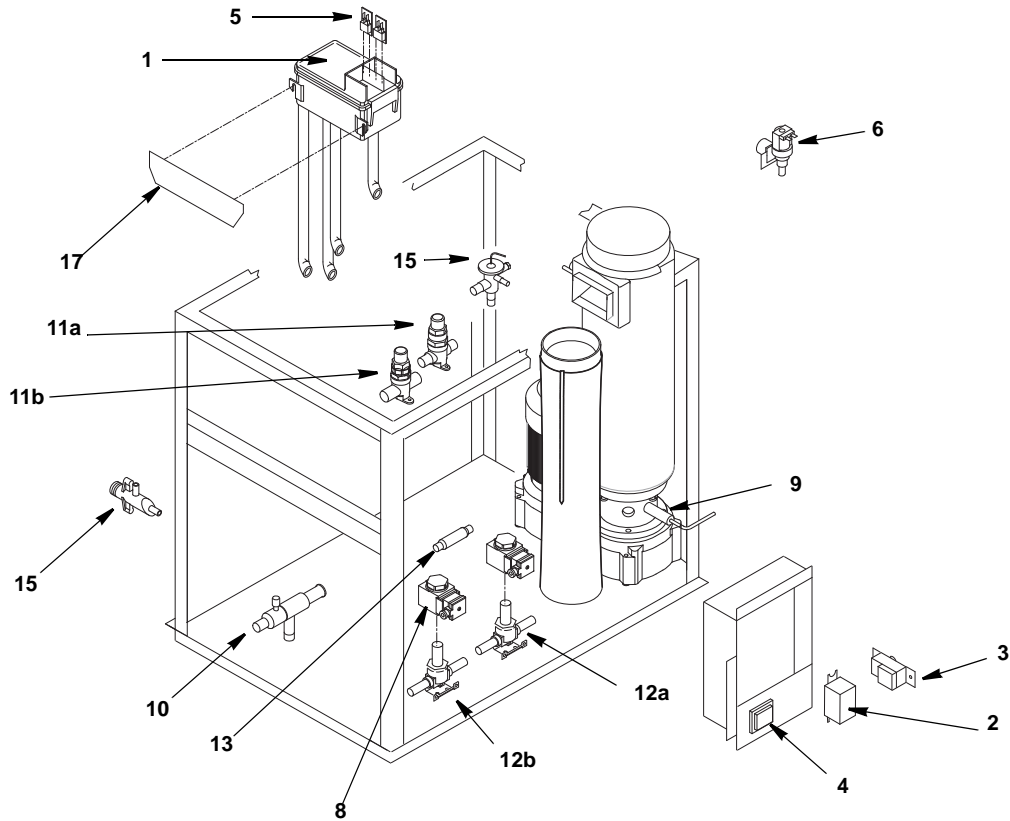




**Ice Machine Parts List for
Series RF-1200R Models**

RF1279R

RF-1200R EVAPORATOR COMPARTMENT



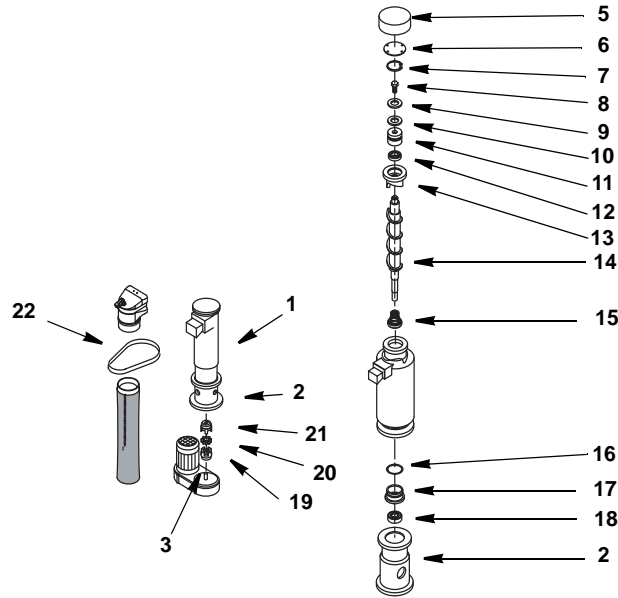
DESCRIPTION

DESCRIPTION	PART NO.
1 Water Reservoir Assembly (Includes Hoses)	00005751
a. Water Reservoir Only	00005747
2 Compressor Relay	
a. 60hz	00008462
b. 50hz	00008462
3 Bin Thermostat	00005765
4 ON/OFF Toggle Switch	00008760
5 Float Micro switch	00005760
6 Water Inlet Valve	
a. 220/60/1	00006058
b. 230/50/1	00005770
7 Expansion Valve	00008767
8 Valve Coil	00008763
9 Rotation Sensor	00005755
10 EPR Valve	00008758
11 Base Valve	
a. Liquid Line	00006244
b. Suction Line	00008756
12 Valve Body	
a. Liquid Line	00008770
b. Suction Line	00008771
13 Filter	00008761
14 Water Inlet & Drain Assembly	00009043

Miscellaneous – Brackets, Screws, Etc.

15 Drain Manifold	
a. 220/60/1	00006129
b. 230/50/1	00005669
16 Access Valve	
a. Fitting	00006408
b. Core	00006409
c. Cap	00006410
17 Reservoir Bracket	00005754
18 Strainer for Water Connections	00009042
19 Screws	
a. M5 x 10TC	00009040
b. 3.9 x 13TC	00009041

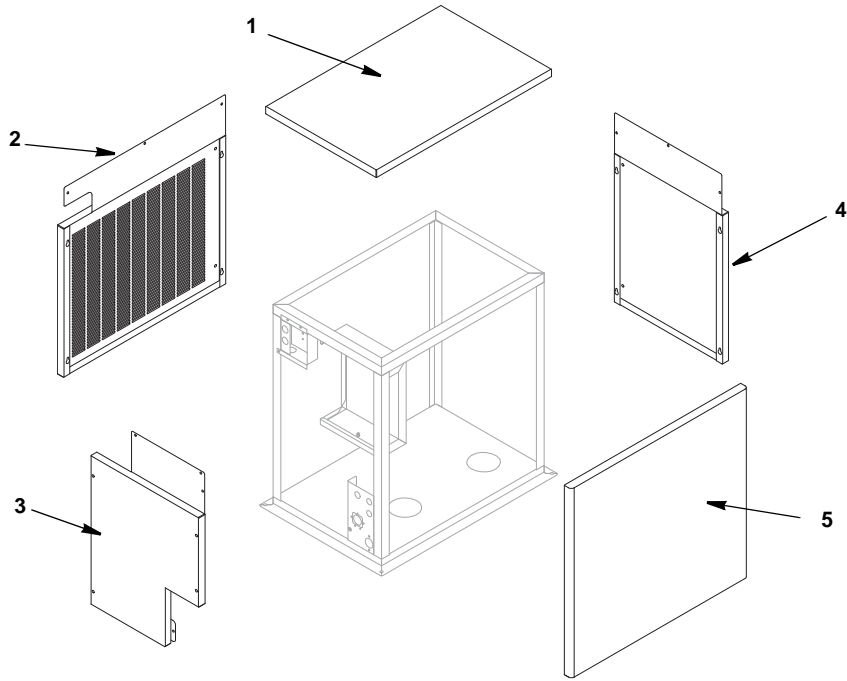
RF-1200R EVAPORATOR ASSEMBLY



DESCRIPTION

DESCRIPTION	PART NO.
1 Evaporator Assembly	000005682
2 Foundation	000005694
3 Gear Motor Assembly	
a. 220/60/1	000006064
b. 230/50/1	000005699
4 Gear Motor Capacitor (not shown)	
a. 230/50/1	000007822
b. 220/60/1	000007823
5 Insulating Cap.....	000005732
6 Bearing Cap	000005646
7 Snap Ring	000005758
8 Auger Bolt	000005600
9 Bearing Shim	000005610
10 Self Lubricating Disc.....	000005651
11 Upper Bearing.....	000005606
12 Upper O-ring	000005736
13 Cutter Head	000005649
14 Auger	000005597
15 Water Seal	000005779
16 Lower O-ring.....	000005582
17 Water Seal Retainer	000005780
18 Lower Bearing.....	000005604
19 Flex Jaw Coupling Lower	000005643
20 Flex Jaw Coupling Spider	000005644
21 Flex Jaw Coupling Upper	000005571
22 Ice Chute Kit	000007919
a. Ice Exhaust with Microswitch	000007906
b. Locking Strip	000007907
c. Bulb Holder	000007916
d. Ice Outlet Pipe Assembly	000007917
e. Cross Bar	000007918

RF-1200R PANELS



DESCRIPTION

1	Top Panel
2	Back Panel
3	Left Side Panel
4	Right Side Panel
5	Front Panel Assembly

PART NO.

00006054
00008769
00008768
00008772
00008773