

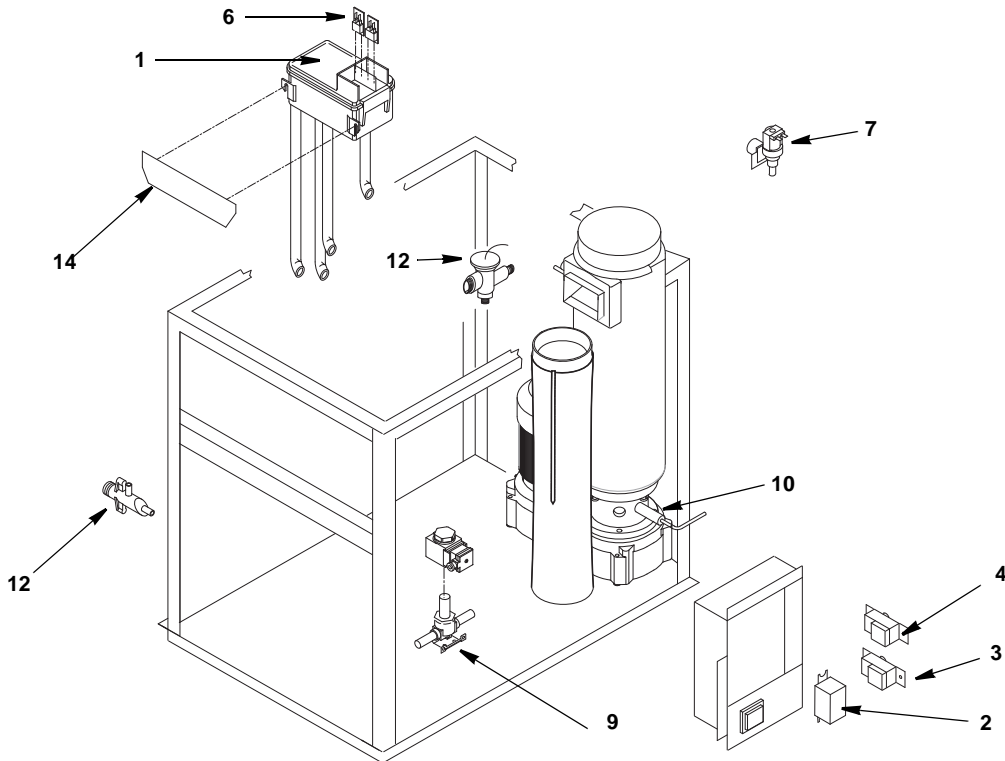


**Ice Machine Parts List for
Series RF-1200C Models**

RF1278C

RCU1075

RF-1200C EVAPORATOR COMPARTMENT



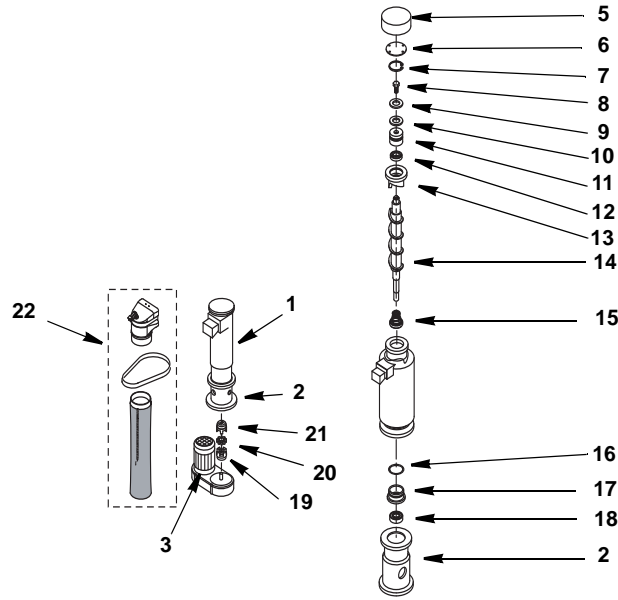
DESCRIPTION

	DESCRIPTION	PART NO.
1	Water Reservoir Assembly (Includes Hoses)	000005751
a.	Water Reservoir Only	000005747
2	Compressor Relay	
a.	60hz.	000008462
b.	50hz.	000008462
3	Evaporator Thermostat	000006076
4	Bin Thermostat	000005765
5	ON/OFF Toggle Switch	000005763
6	Float Microswitch	000005760
7	Water Inlet Valve	
a.	208-230/60/1	000006058
b.	230/50/1.	000005770
8	Expansion Valve	000008689
9	Hot Gas Valve	
a.	Body	000006244
b.	Coil	000008690
10	Rotation Sensor	000005755
11	Water Inlet & Drain Assembly	000009043

Miscellaneous – Brackets, Screws, Etc.

12	Drain Manifold	
a.	208-230/60/1	000006129
b.	230/50/1.	000005669
13	Access Valve	
a.	Fitting	000006408
b.	Core	000006409
c.	Cap	000006410
14	Reservoir Bracket	000005754
15	Strainer for Water Connections.	000009042
16	Screws	
a.	M5 x 10TC	000009040
17	3.9 x 13TC	000009041

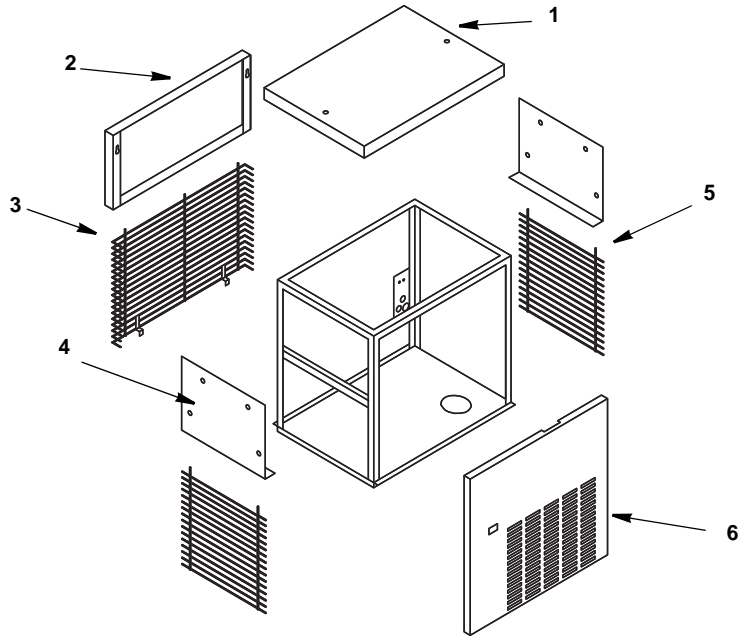
RF-1200C EVAPORATOR ASSEMBLY



DESCRIPTION

	DESCRIPTION		PART NO.
1	Evaporator Assembly		000005682
2	Foundation		000005694
3	Gear Motor Assembly		
	a. 208-230/60/1		000006064
	b. 230/50/1		000005699
4	Gear Motor Capacitor (not shown)		
	a. 230/50/1		000007822
	b. 208-230/60/1		000007823
5	Insulating Cap		000005732
6	Bearing Cap		000005646
7	Snap Ring		000005758
8	Auger Bolt		000005600
9	Bearing Shim		000005610
10	Self Lubricating Disc		000005651
11	Upper Bearing		000005606
12	Upper O-ring		000005736
13	Cutter Head		000005649
14	Auger		000005597
15	Water Seal		000005779
16	Lower O-ring		000005582
17	Water Seal Retainer		000005780
18	Lower Bearing		000005604
19	Flex Jaw Coupling Lower		000005643
20	Flex Jaw Coupling Spider		000005644
21	Flex Jaw Coupling Upper		000005571
22	Ice Chute Kit		000007919
	a. Ice Exhaust with Microswitch		000007906
	b. Locking Strip		000007907
	c. Bulb Holder		000007916
	d. Ice Outlet Pipe Assembly		000007917
	e. Cross Bar		000007918
23	Ice Chute Extension		000008643

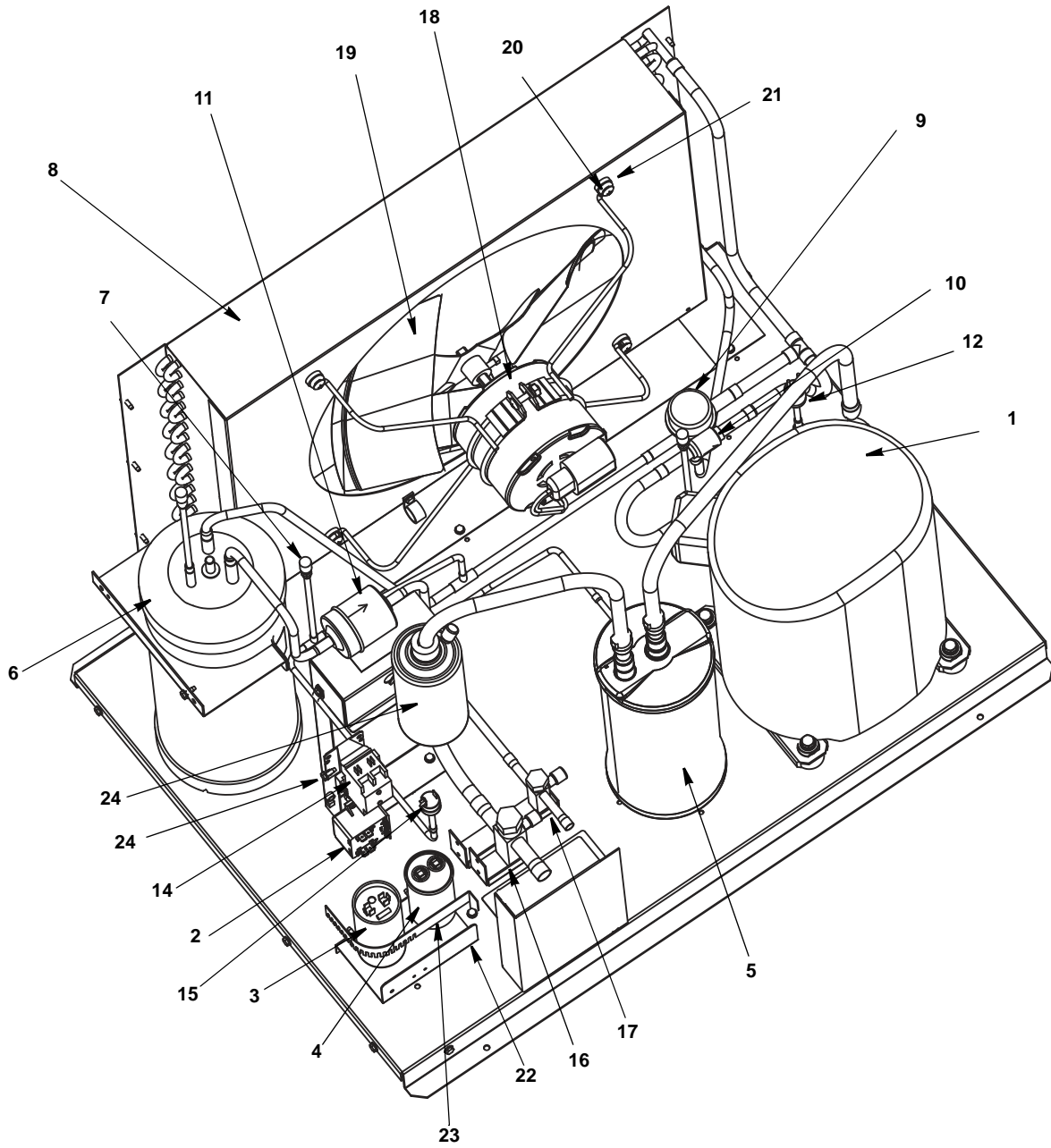
RF-1200C PANELS



DESCRIPTION

DESCRIPTION	PART NO.
1 Top Panel	000006054
2 Back Panel	
a. 208-230/60/1	000006052
b. 230/50/1	000006102
3 Back Grill	000005702
4 Left Side Panel	000006051
5 Right Side Panel	000006053
6 Front Panel Assembly	000005786

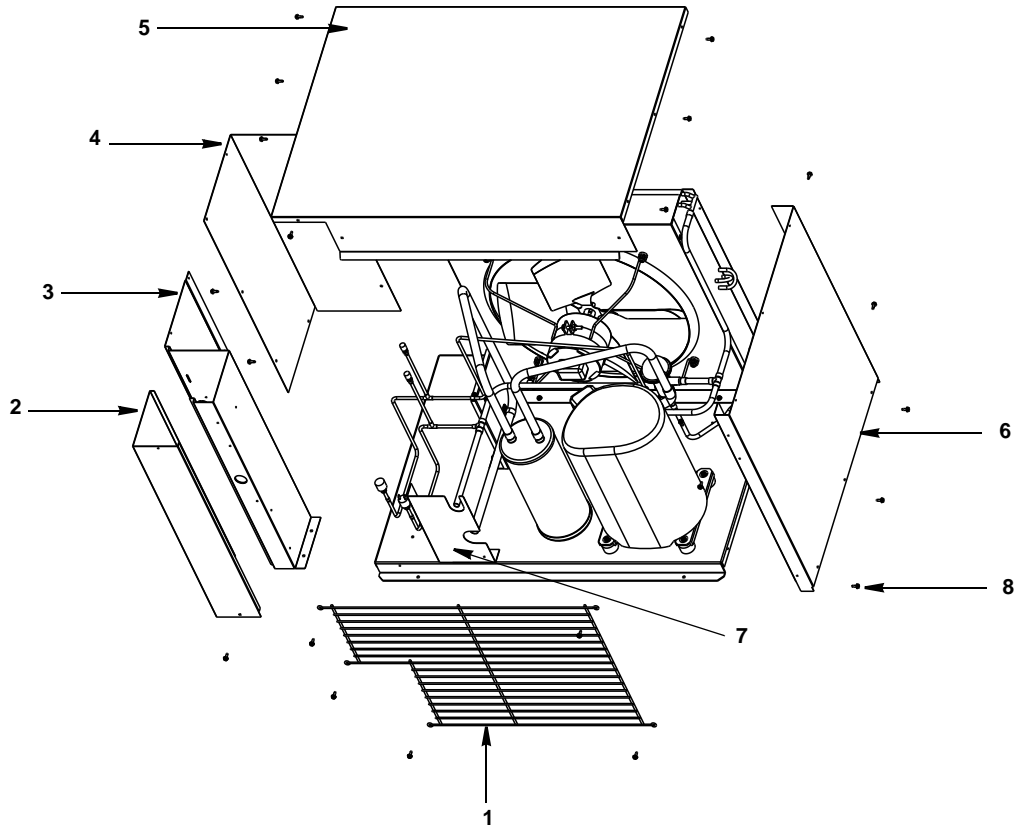
RCU1075 REMOTE CONDENSER



RCU1075 CONDENSING UNIT

DESCRIPTION	PART NO.
1 Compressor	
1a 208-230V/60 Hz/1 Ph	76-0229-3
1b 208-230V/60 Hz/3 Ph	76-0230-3
2 Start Relay 60 Hz/1 Ph	20-0755-3
3 Start Capacitor 60 Hz/1 Ph	000006454
4 Run Capacitor 60 Hz/1 Ph	20-1013-3
5 Suction Accumulator	000007280
6 Receiver	76-2957-3
7 Access Valve	83-7325-3
8 Air-cooled Condenser	88-5145-3
9 Head Pressure Control Valve	000002369
10 Check Valve	000001289
11 Liquid Line Drier	82-5333-3
12 High Pressure Cut-out Control	20-0124-3
13 Fan Cycle Control	20-0126-3
14 Contactor	
14a 60 Hz/1 Ph	20-0660-9
14b 60 Hz/3 Ph	20-0661-9
15 Low Pressure Cut-out Control	20-0222-9
16 Suction Shutoff Valve	83-7330-3
17 Liquid Line Shutoff Valve	83-7329-3
18 Condenser Fan Motor	20-0018-9
19 Condenser Fan Blade	24-1630-3
20 Condenser Fan Motor Bracket	30-0682-3
21 Condenser Fan Bracket Rubber Grommet	54-2955-9
Miscellaneous – Brackets, Screws, etc.	
22 Capacitor Mounting Bracket	603498-1
23 Capacitor Mounting Strap	602160-1
24 Ground Terminal	56-5065-3
25 Suction Line Filter	82-5053-9
26 Wiring Harness (Not Shown)	
26a 230v/60 Hz/1 Ph	000006532
26b 230v/60 Hz/3 Ph	20-3308-9
26c Fan Cycle Control	000007729
26d Heater/Therm.	000007425
27 Receiver Mounting Bracket (Not Shown)	600056-1
28 Copeland Plug Wiring – 3 Ph – 50/60 Hz (Not Shown)	20-0761-3

RCU1075 CONDENSING UNIT PANELS



pt1287

DESCRIPTION

	PART NO.
1 Condenser Fan Guard	34-0689-3
2 Control Box Cover	† 604017-1
3 Control Box Panel	603707-1
4 Left Side Panel	603705-1
5 Cover Top	603475-1
6 Right Side Panel	603470-1
7 Tube Shield	† 604226-1

Miscellaneous – Brackets, Screws, etc.

8 Screw, #10-24 x .50 Hex	† 52-0206-9
---------------------------------	-------------