

PS300 Series Gas and Electric Ovens

Models:

- PS360-U (Gas and electric)
- PS360-L (Gas and electric)
- PS360WB-U (Gas only)
- PS360WB-L (Gas only)

PARTS MANUAL

for European export ovens

© 2000 Middleby Marshall, Inc.



**Middleby
Marshall®** is a registered trademark of Middleby Marshall, Inc. All rights reserved.

Middleby Cooking Systems Group • 1400 Toastmaster Drive • Elgin, IL 60120 • (847)741-3300 • FAX (847)741-4406

WARNING

FOR YOUR SAFETY DO NOT STORE OR USE GASOLINE OR OTHER FLAMMABLE VAPORS AND LIQUIDS IN THE VICINITY OF THIS OR ANY OTHER APPLIANCE

WARNING

Improper installation, adjustment, alteration, service or maintenance can cause property damage, injury or death. Read the installation, operating and maintenance instructions thoroughly before installing or servicing this equipment.

WARNING

DISCONNECT THE OVEN FROM ITS ELECTRICAL POWER SUPPLY BEFORE SERVICING.

NOTICE

Using any parts other than genuine Middleby Marshall factory manufactured parts relieves the manufacturer of all warranty and liability.

NOTICE

Middleby Marshall (Manufacturer) reserves the right to change specifications at any time.

TABLE OF CONTENTS

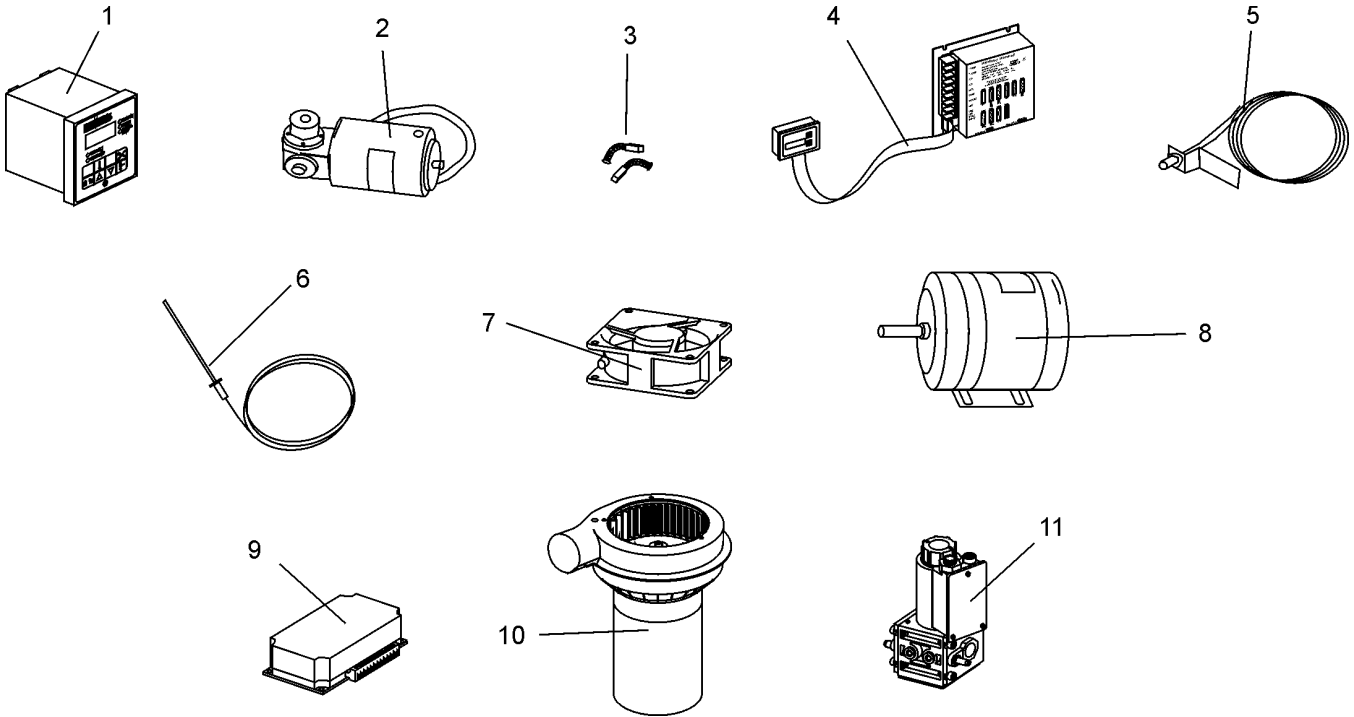
<i>Section</i>	<i>Page</i>
I. KEY SPARE PARTS KIT	4
II. INSTALLATIONKIT	5
III. OVEN PANELS, WINDOW AND LEGS	6
IV. SHROUDS AND VENTS	8
V. MACHINERY COMPARTMENT	10
VI. CONTROL PANEL AND ELECTRICAL COMONENTS - FOR GAS OVENS	12
VII. CONTROL PANEL AND ELECTRICAL COMONENTS - FOR ELECTRIC OVENS	14
VIII. GAS BURNER SYSTEM (GAS OVENS ONLY)	16
IX. ELECTRIC HEATERS (ELECTRIC OVENS ONLY)	18
X. CONVEYOR ASSEMBLY, SINGLE-BELT OVENS	20
XI. CONVEYOR ASSEMBLY, SPLIT-BELT OVENS	22
XII. UPPER OVEN STAND	24

NOTE: *Throughout this Parts Manual, the following abbreviations are used:*

A/R = Quantity As Required

N/A = Does Not Apply

I. KEY SPARE PARTS KIT

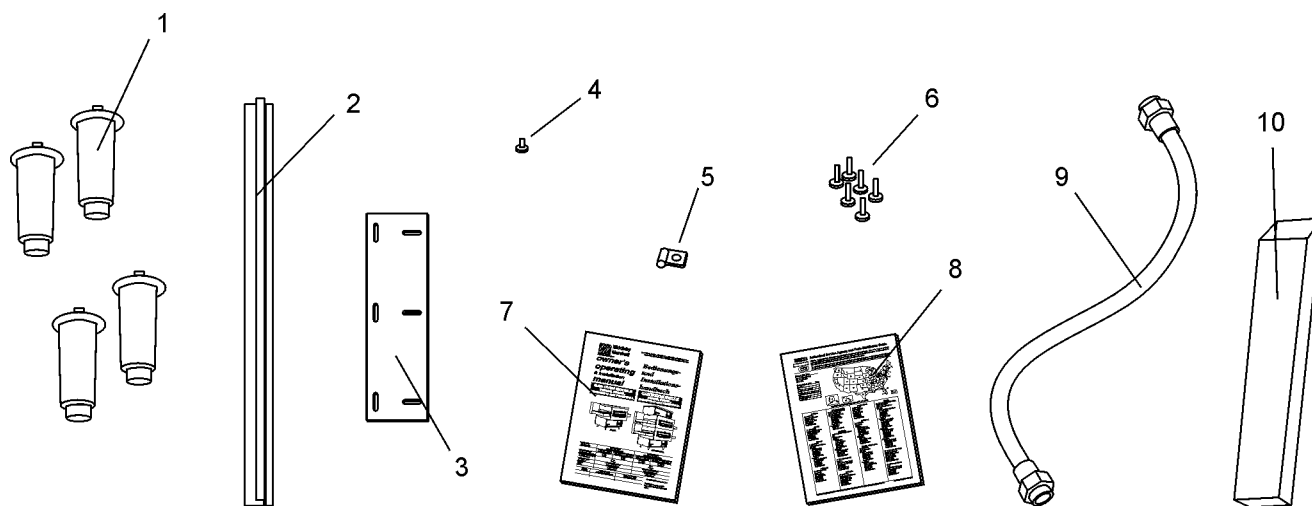


ITEM	QTY.	P/N	DESCRIPTION
1	1	36939	KIT, DIGITAL TEMPERATURE CONTROLLER
2	1	27384-0008	CONVEYOR DRIVE MOTOR
3	2	22450-0052	BRUSHES, CONVEYOR DRIVE MOTOR
4	1	37337	KIT, CONVEYOR SPEED CONTROLLER WITH DIGITAL DISPLAY
5	1	27170-0263	CONVEYOR CONTROL PICKUP ASSEMBLY
6	1	33984	THERMOCOUPLE
7	1	97525	COOLING FAN
8a	1	27381-0023	BLOWER MOTOR, 1 PH, 1/3 HP (PS360-U, PS360-L)
8b	1	31432	BLOWER MOTOR, 1 PH, 1 HP (PS360WB-U, PS360WB-L)

ADDITIONAL KIT COMPONENTS FOR GAS OVENS

9	1	35825	KIT, IGNITION MODULE
10	1	27170-0287	BURNER BLOWER/MOTOR ASSEMBLY
11	1	37770	KIT, SOLENOID VALVE

II. INSTALLATION KIT



PS300 series
Europe

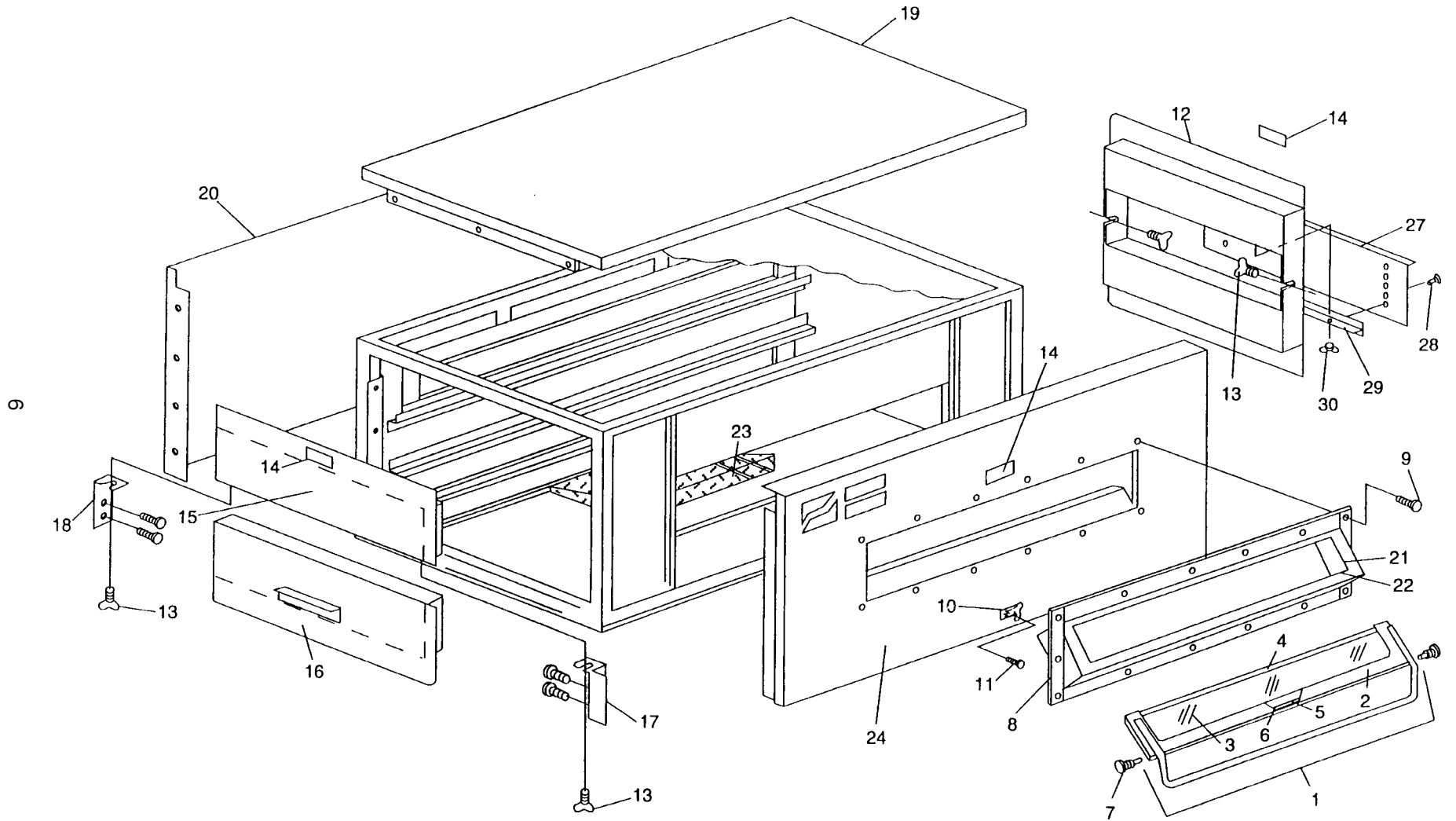
ITEM	QTY.			P/N	DESCRIPTION
	LWR OVEN W/O TOP	LWR OVEN W/TOP	UPR OVEN		
1	4	4	--	22450-0028	LEGS, ADJUSTABLE
2a	1	1	1	35000-1103	CONVEYOR END STOP, PS360-U/-L SINGLE BELT
2b	2	2	2	35509	CONVEYOR END STOP, PS360-U/-L SPLIT BELT
2c	1	1	1	36526	CONVEYOR END STOP, PS360WB-U/-L (SINGLE OR SPLIT BELT)
3	--	--	2	35122-0049	ATTACHMENT PLATE, UPPER OVEN
4	2	2	2	21256-0008	SCREW, #10-32 X 3/8"
5	1	1	1	27276-0001	CABLE CLAMP
6	2	2	14	21292-0001	SCREW, #2PT 10-16 X 3/4" HWH
7a	1	1	1	30708	OWNER'S OPERATING AND INSTALLATION MANUAL, GAS PS360-U/-L & PS360WB-U/-L (ENGLISH/GERMAN)
7b	1	1	1	31882	OWNER'S OPERATING AND INSTALLATION MANUAL, ELECTRIC PS360-U/-L (ENGLISH/GERMAN)
8	1	1	1	1002040	AUTHORIZED SERVICE AGENCY LISTING

ADDITIONAL KIT COMPONENTS FOR GAS OVENS

4	1	1	1	21256-0008	SCREW, #10-32 X 3/8"
6	2	2	2	21292-0001	SCREW, #2PT 10-16 X 3/4" HWH
9	1	1	1	22361-0001	GAS HOSE, FLEXIBLE
10a	--	1	--	30773	FLUE VENT, 14" (356mm)
10b	--	--	1	30759	FLUE VENT, 29-1/2" (749mm)
10c	1	--	--	30758	FLUE VENT, 50" (1270mm)

ADDITIONAL KIT COMPONENTS FOR TANDEM OVENS (NOT SHOWN)

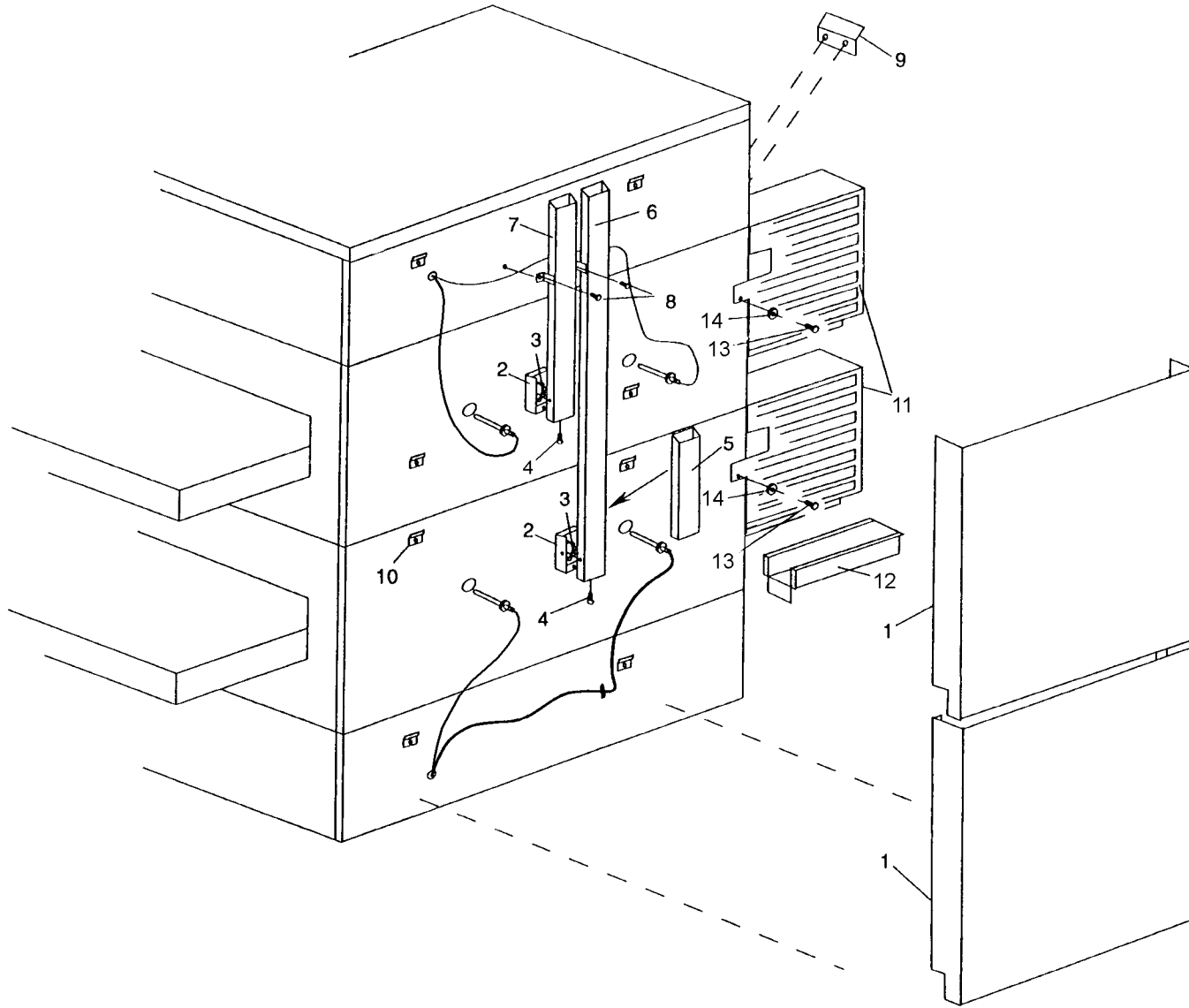
ITEM	TANDEM OVEN	DOUBLE (2-STACK) TANDEM OVEN	P/N	DESCRIPTION
--	1	2	35000-1454	MACHINERY COMPARTMENT TRIM STRIP
--	2	4	35000-1456	FRONT GASKET SPACER
--	2	4	35000-1457	REAR GASKET SPACER
--	1	2	37200-0013	BAKING CHAMBER GASKET & FRAME, PS360-U/-L
--	1	2	32483	BAKING CHAMBER GASKET & FRAME, PS360WB-U/-L



III. OVEN PANELS, WINDOWS, AND LEGS

ITEM	QTY.	P/N		DESCRIPTION
		PS360-U/L	PS360WB-U/L	
1	1	42400-0156	42400-0156	GLASS FRAME/HANDLE ASSEMBLY
2	1	37115-0136	37115-0136	GLASS FRAME/HANDLE WELDMENT
3	1	22140-0012	22140-0012	GLASS
4	1	35000-1025	35000-1025	TOP FRAME
5	A/R	17130-0006	17130-0006	SILICONE - ADH. SEAL
6	1	33300-0114	33300-0114	TUBE SS. 18 GA. 37" X 3/8"
7	2	34121-0003	34121-0003	SCREW - THUMB PIVOT
8	1	37000-0371	37000-0371	WINDOW/MTG FRAME WELDMENT
9	14	31451	31451	SCREW 6/32 X 5/8"
10	1	42400-0087	42400-0087	LATCH ASSEMBLY
12a	1	37000-0454	37000-0740 or 34309	END PLUG - RIGHT, UPPER OVEN
12b	1	37000-0455	37000-0739 or 34433	END PLUG - RIGHT, LOWER OVEN
13	4	31409	31409	WING SCREW
14	3	30631	30631	CAUTION LABEL
15a	1	37000-0456	37000-0738 or 34310	END PLUG TOP HALF - LEFT, UPPER OVEN
15b	1	37000-0458	37000-0736 or 34431	END PLUG TOP HALF - LEFT, LOWER OVEN
16a	1	37000-0457	37000-0737 or 34314	END PLUG BOTTOM HALF - LEFT, UPPER OVEN
16b	1	37000-0459	37000-0735 or 34430	END PLUG BOTTOM HALF - LEFT, LOWER OVEN

ITEM	QTY.	P/N		DESCRIPTION
		PS360-U/L	PS360WB-U/L	
17	1	35000-0946	35000-1834	END PLUG BRACKET - LH FRONT
18	1	35000-0945	35000-1833	END PLUG BRACKET - LH REAR
19a	1	35000-1493	35000-1898	TOP PANEL (LOWER SINGLE OVEN - FITS ON TOP OF BAKING CHAMBER)
19b	1	35000-0063	35000-1894	TOP PANEL (UPPER OVEN OR DOUBLE OVEN - MOUNTS ON TOP OF MACHINERY COMPARTMENT)
20	1	37000-0451	37000-0451	REAR PANEL
21	A/R	22420-0005	22420-0005	WINDOW GASKET
23	1	35200-0010	35200-0010	SCREEN GUARD FOR UPPER BURNER CHAMBER (OPTIONAL)
24a	1	35000-0955	35000-0955	FRONT PANEL, OUTER, LOWER OVEN
24b	1	35000-0953	35000-0953	FRONT PANEL, OUTER, UPPER OVEN
26	A/R	22131-0004	22131-0004	INSULATION 1" INSIDE OF ALL TOP, FRONT AND REAR PANELS (NOT SHOWN)
27	1	35200-0034	35200-0034	EYEBROW
28	2	21141-0001	21141-0001	WING NUT, 1/4"-20
29	1	37000-0571	37000-0571	EYEBROW MOUNTING BRACKET
30	2	21292-0001	21292-0001	SCREW, HEX WASHER HEAD #2 PT, #10-16 x 3/4"



IV. SHROUDS AND VENTS

<i>ITEM</i>	<i>QTY. SINGLE OVEN</i>	<i>QTY. DOUBLE OVEN</i>	<i>P/N</i>	<i>DESCRIPTION</i>
1a	1	2	31495	FLUEVENT SHROUD, 2" (51mm)
1b	1	2	32137	FLUE VENT SHROUD, 5" (127mm)
2	1	2	30758	VENT MOUNTING BOX
3	1	2	27280-0005	NUT
4	2	4	21256-0008	SCREW, HEX HD #10-32 X 3/8"
5	1	-	30773	VENT, 14" (356mm) - FOR LOWER OVENS
6	-	1	30760	VENT, 50" (1270mm) - FOR LOWER OVENS
7	1	1	30759	VENT, 29-1/2" (749mm) - FOR UPPER OVENS

<i>ITEM</i>	<i>QTY. SINGLE OVEN</i>	<i>QTY. DOUBLE OVEN</i>	<i>P/N</i>	<i>DESCRIPTION</i>
8	2	4	21292-0001	SCREW, HEX HD #10-16 X 3/4"
9	1	2	35000-1017	UTILITY SHROUD HANGER
10	4	8	35000-1622	HANGER, REAR SHROUD
11a	1	2	30364	UTILITY SHROUD ASSEMBLY
11b	1	2	32049	UTILITY SHROUD ASSEMBLY (SPLIT BELT OVENS)
12a	1	2	30363	UTILITY SHROUD, BOTTOM (SINGLE-BELT OVENS)
12b	1	2	32048	UTILITY SHROUD, BOTTOM (SPLIT-BELT OVENS)
13	1	2	2000346	SCREW, SLT RND HD 1/4"-20 X 1/2"
14	1	2	21416-0005	FLAT WASHER, 1/4"

6

V. MACHINERY COMPARTMENT

ITEM	QTY.	P/N	DESCRIPTION
1	1	30356	MACHINERY COMPARTMENT DOOR
2	1	30361	CONTROL COMPARTMENT DOOR
3	4	2000294	FLAT HEAD SCREW, #10-24 x 1-1/4"
4	18	21475-0001	FINISHING WASHER, #10
5	4	30338	RETAINER, #10-24
6	6	21292-0001	HEX SCREW, #10-16 X 3/4"
8	4	22450-0028	ADJUSTABLE LEG
9	14	21272-0013	FLAT HEAD SCREW, #10-24 X 1/2"
10a	1	35000-0958	END PANEL - RIGHT SIDE FOR LOWER OVEN, LEFT SIDE FOR UPPER OVEN - PS360-U/-L
10b	1	35000-1866	END PANEL - RIGHT SIDE FOR LOWER OVEN, LEFT SIDE FOR UPPER OVEN - PS360WB-U/-L
11a	1	35000-0959	END PANEL - LEFT SIDE FOR LOWER OVEN, RIGHT SIDE FOR UPPER OVEN - PS360-U/-L
11b	1	35000-1867	END PANEL - LEFT SIDE FOR LOWER OVEN, RIGHT SIDE FOR UPPER OVEN - PS360WB-U/-L
12	1	28021-0047	DOOR SAFETY SWITCH
13	1	35000-0957	REAR PANEL, MACHINERY COMPARTMENT
14a	2	27381-0023	BLOWER MOTOR, 1 PH, 1/3 HP (PS360-U/-L)
14b	2	31432	BLOWER MOTOR, 1 PH, 1 HP (PS360WB-U, PS360WB-L)
--	1 oz.	17110-0018	TUBE OF ANTI-SEIZE LUBRICANT (NOT SHOWN)
15	2	27221-0013	BUSH, SNAP NYLON

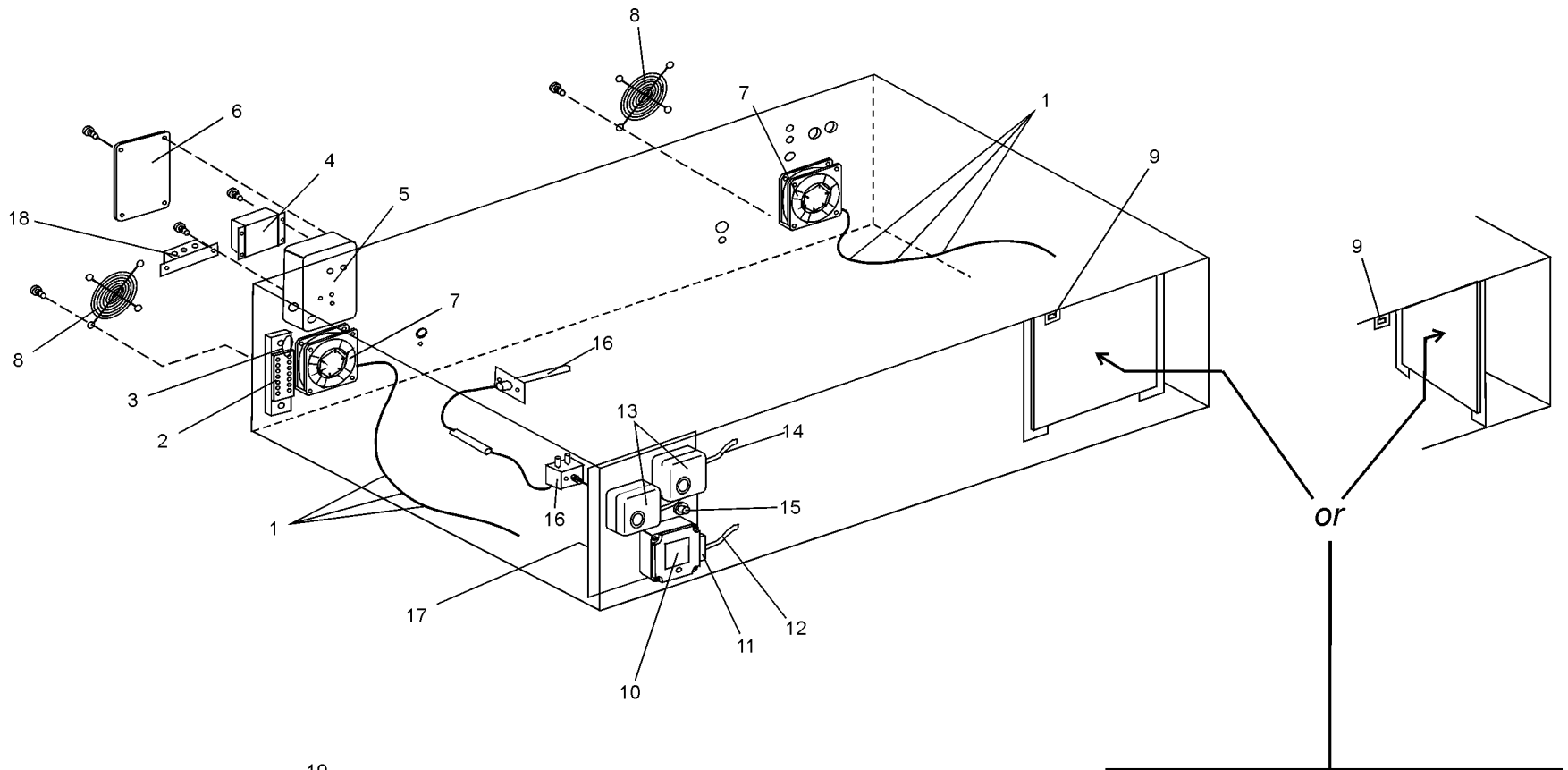
ITEM	QTY.	P/N	DESCRIPTION
16	8	21216-0013	HEX CAP SCREW, 5/16"-18 X 1"
17	16	21412-0005	FLAT WASHER, 5/16"
18	8	21126-0004	HEX NUT, 5/16"-18
19	2	27396-0004	HEAT SLINGER WITH SET SCREW
20	1	21276-0035	SET SCREW, 1/4"-20 X 3/8"
21a	2	22450-0062	INLET CONE, 9-3/16" - FOR 50 Hz PS360-U/-L
21b	2	31602	INLET CONE, 9-7/8" - FOR 50 Hz PS360WB-U/-L
22a	1	22523-0002	CLOCKWISE BLOWER WHEEL, 9-3/16" D - LEFT SIDE OF LOWER OVEN, RIGHT SIDE OF UPPER OVEN - FOR 50 Hz PS360-U/-L
22b	1	22523-0003	COUNTERCLOCKWISE BLOWER WHEEL, 9-3/16" D - RIGHT SIDE OF LOWER OVEN, LEFT SIDE OF UPPER OVEN - FOR 50 Hz PS360-U/-L
22c	1	22523-0006	CLOCKWISE BLOWER WHEEL, 9-7/8" D - LEFT SIDE OF LOWER OVEN, RIGHT SIDE OF UPPER OVEN - FOR 50 Hz PS360WB-U/-L
22d	1	22523-0007	COUNTERCLOCKWISE BLOWER WHEEL, 9-7/8" D - RIGHT SIDE OF LOWER OVEN, LEFT SIDE OF UPPER OVEN - FOR 50 Hz PS360WB-U/-L
23	2	37115-0151	INNER SHAFT SEAL
24	2	35000-1781	TEFLON SEAL
25	2	35131-0038	HEAT SINK PLATE
26	A/R	21292-0001	HEX SCREW, #10-16 X 3/4"
27	A/R	22420-0002	GASKET (PER 12"/305mm LENGTH)

ADDITIONAL COMPONENTS FOR GAS OVENS

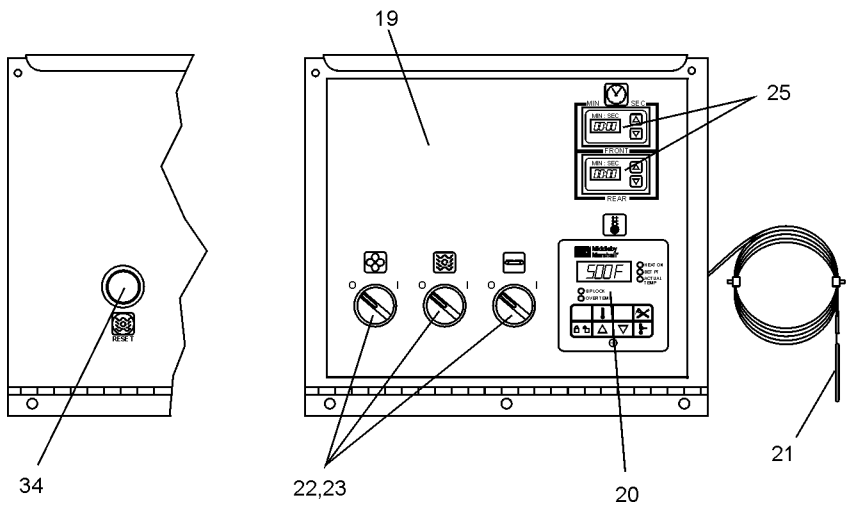
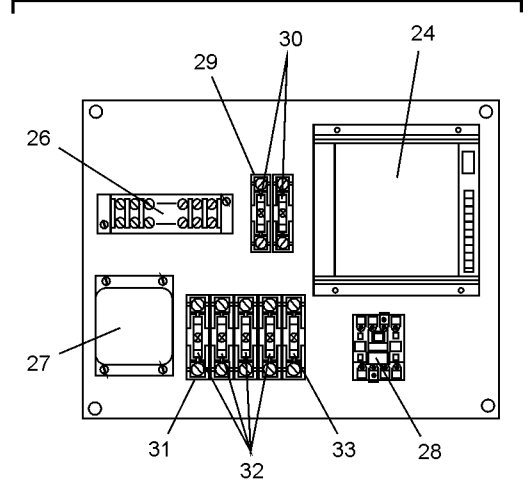
ITEM	QTY.	P/N	DESCRIPTION
28	1	35000-1036	BURNER OUTER MOUNTING PLATE
29	1	37000-0236	BURNER INNER MOUNTING PLATE
30	1	35112-0075	BURNER TUBE
31	1	37000-0659	ADJUSTABLE FLAME TUBE
32	1	35333-0003	BURNER SHIELD
33	1	37000-0658	ADJUSTABLE FLAME TUBE INDICATOR AND SHAFT

ITEM	QTY.	P/N	DESCRIPTION
34	A/R	21292-0001	HEX SCREW, #10-16 X 3/4"
35	1	28021-0016	LIGHTED RESET SWITCH
--	1	27073-0007	BULB, NEON 220V (INC. W/ITEM 35)
36	1	27170-0269	CAPACITOR, START (BLACK) (PS360WB-U/-L ONLY)
37	1	27170-0270	CAPACITOR, RUN (SILVER) (PS360WB-U/-L ONLY)

**PS300 series
Europe**



or

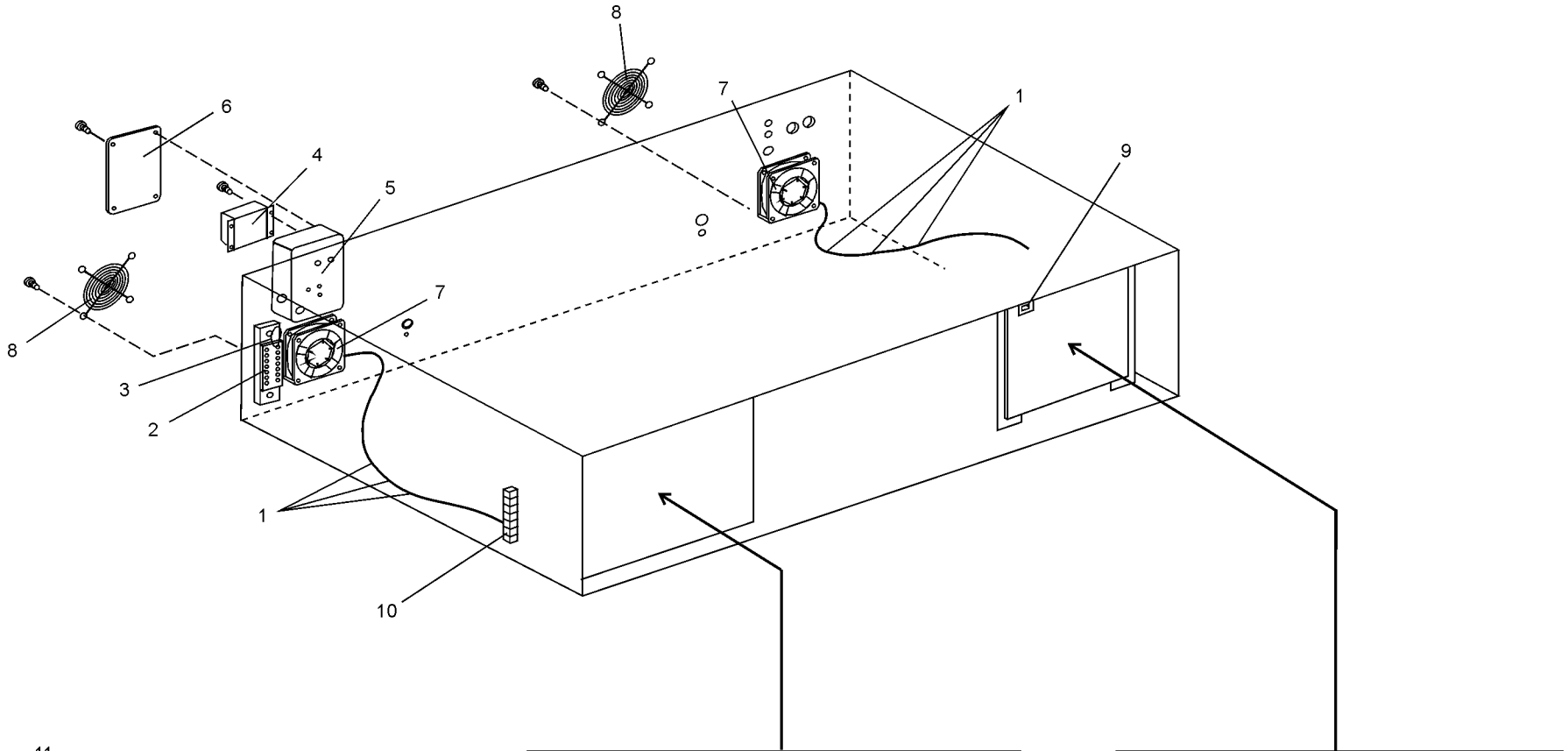


VI. CONTROL PANEL AND ELECTRICAL COMPONENTS - FOR GAS OVENS

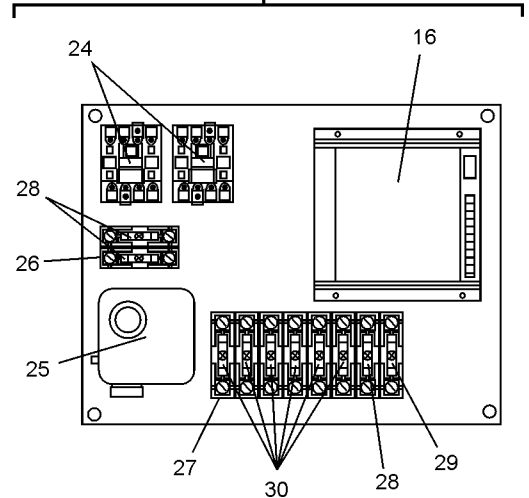
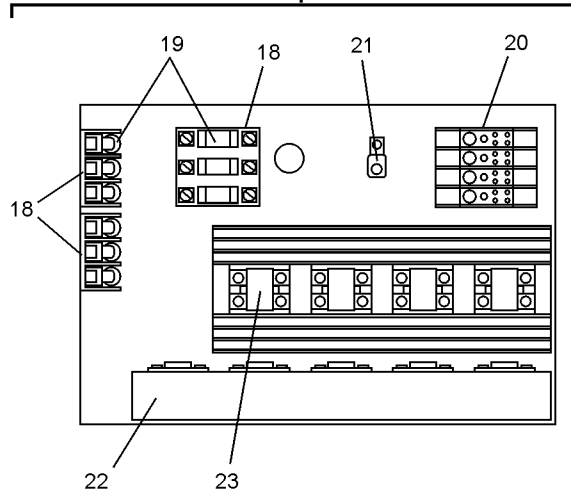
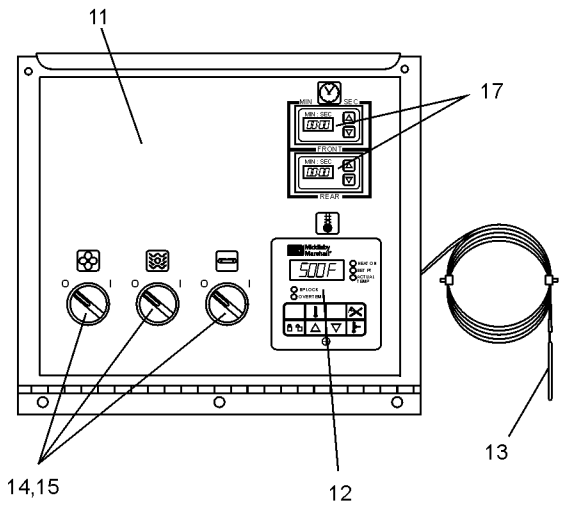
<i>ITEM</i>	<i>QTY.</i>	<i>P/N</i>	<i>DESCRIPTION</i>
1	10	27311-0003	CABLE TIE, PLASTIC, 20cm L
2	1	27011-0013	TERMINAL BLOCK, 6-POLE (FOR CONVEYOR MOTOR)
3	1	42400-0256	GROUND WIRE ASSEMBLY
4	1	33813	RFI FILTER
5a	1	33814	JUNCTION BOX W/COVER - FOR OVENS WITH RFI FILTER (INC. ITEM 6a)
6a		<i>INCLUDED WITH ITEM 16a</i>	JUNCTION BOX COVER FOR ITEM 5a
5b	1	27292-0009	JUNCTION BOX - FOR OVENS WITHOUT RFI FILTER
6b	1	27306-0006	JUNCTION BOX COVER FOR ITEM 5b - NOT INCLUDED WITH ITEM 5b
7	2	97525	COOLING FAN
8	2	27470-0004	GRILL, COOLING FAN
9	1	28021-0047	DOOR SAFETY SWITCH
10	1	35825	KIT, IGNITION MODULE
11	1	32001	CONNECTOR, 12-PIN
12	1	31048	IGNITION CABLE, 85cm
13	2	35625	KIT, AIR SWITCH
14	A/R	38290	TUBING, SILICONE, 6.4mm DIA.
15	1	28140-0006	HIGH LIMIT THERMOSTAT
16	1	30354	CAPILLARY TUBE SUPPORT BRACKET

<i>ITEM</i>	<i>QTY.</i>	<i>P/N</i>	<i>DESCRIPTION</i>
17	6	31047	TERMINAL BLOCK, 6-POLE
18	3	27011-0017	TERMINAL BLOCK CONTACT SECTION
19	1	30361	CONTROL DOOR WELDMENT
20	1	36939	KIT, DIGITAL TEMPERATURE CONTROLLER
21	1	33984	KIT, THERMOCOUPLE, TYPE J
22	3	28021-0062	SWITCH, 2-POSITION, BLUE
23	3	27060-0012	CONTACT BLOCK WITH BASE
24	A/R	37337	KIT, CONVEYOR SPEED CONTROLLER WITH DIGITAL DISPLAY
25	-	37503	DIGITAL DISPLAY ONLY
26	1	27011-0011	TERMINAL BLOCK, 8-POLE
27	1	30873	TRANSFORMER, 240Vp : 120Vs
28	1	28041-0011	CONTACTOR, 3-POLE
29	1	27021-0012	FUSE BLOCK, 2-POLE
30	2	30351	FUSE, 6A 250V
31	1	27021-0011	FUSE BLOCK, 5-POLE
32	4	28154-0003	FUSE, 9A 250V
33	1	31158	FUSE, 2A 250V
34	1	28021-0016	LIGHTED RESET SWITCH
-	1	27073-0007	BULB, NEON 220V (INC. W/ITEM 34)

13



14

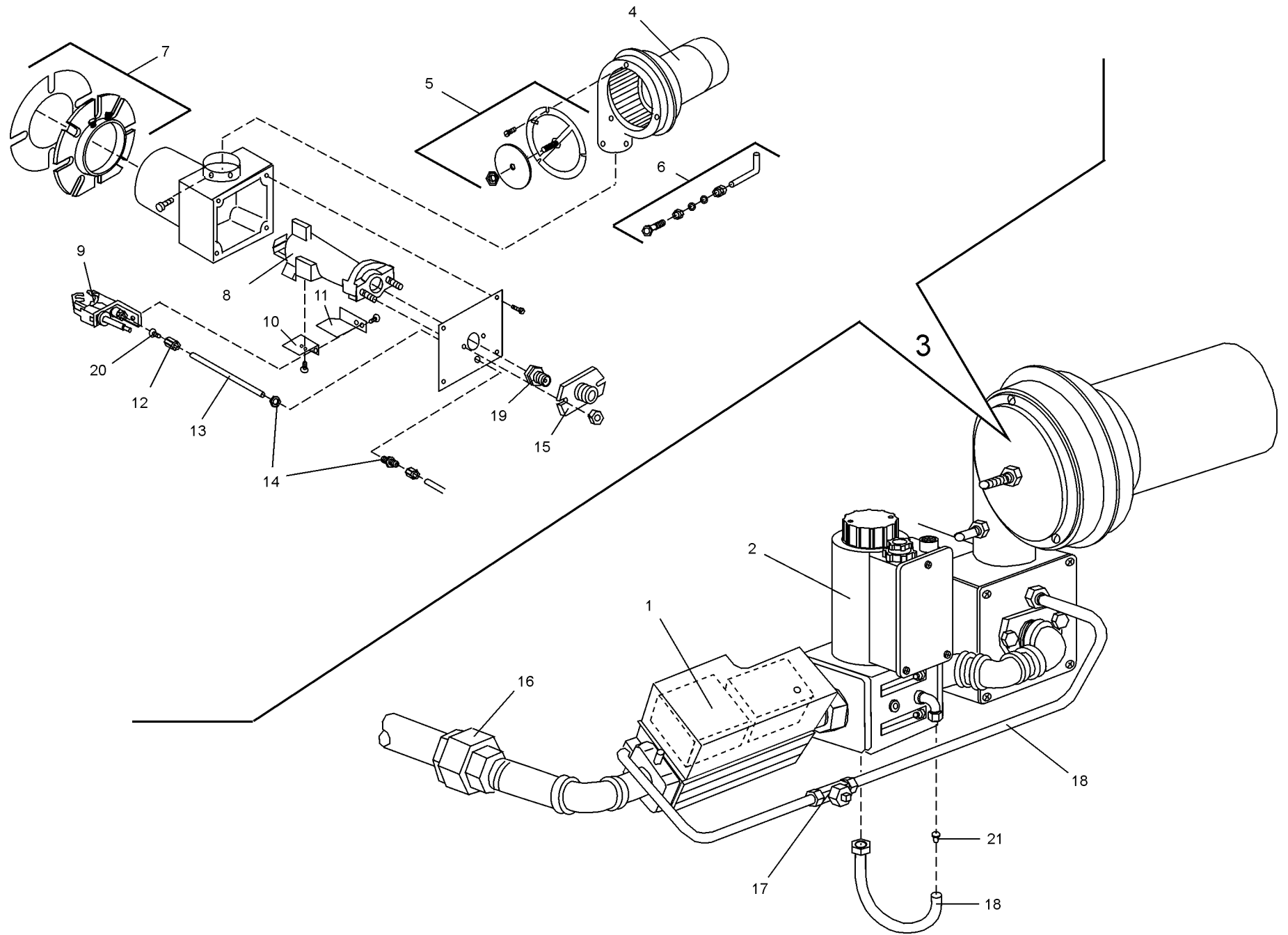


VII. CONTROL PANEL AND ELECTRICAL COMPONENTS - FOR ELECTRIC OVENS

<i>ITEM</i>	<i>QTY.</i>	<i>P/N</i>	<i>DESCRIPTION</i>
1	10	27311-0003	CABLE TIE, PLASTIC, 20cm L
2	1	27011-0013	TERMINAL BLOCK, 6-POLE (FOR CONVEYOR MOTOR)
3	1	42400-0256	GROUND WIRE ASSEMBLY
4	1	33813	RFI FILTER
5a	1	33814	JUNCTION BOX W/COVER - FOR OVENS WITH RFI FILTER (INC. ITEM 6a)
6a		<i>INCLUDED WITH ITEM 16a</i>	JUNCTION BOX COVER FOR ITEM 5a
5b	1	27292-0009	JUNCTION BOX - FOR OVENS WITHOUT RFI FILTER
6b	1	27306-0006	JUNCTION BOX COVER FOR ITEM 5b - NOT INCLUDED WITH ITEM 5b
7	2	97525	COOLING FAN
8	2	27470-0004	GRILL, COOLING FAN
9	1	28021-0047	DOOR SAFETY SWITCH
10	1	31047	TERMINAL BLOCK
11	1	30361	CONTROL DOOR WELDMENT
12	1	36939	KIT, DIGITAL TEMPERATURE CONTROLLER

<i>ITEM</i>	<i>QTY.</i>	<i>P/N</i>	<i>DESCRIPTION</i>
13	1	33984	KIT, THERMOCOUPLE, TYPE J
14	3	28021-0062	SWITCH, 2-POSITION, BLUE
15	3	27060-0012	CONTACT BLOCK WITH BASE
16	A/R	37337	KIT, CONVEYOR SPEED CONTROLLER WITH DIGITAL DISPLAY
17	-	37503	DIGITAL DISPLAY ONLY
18	3	21021-0017	FUSE BLOCK
19	19	31529	FUSE, 20A
20	1	27480-0001	TERMINAL BLOCK
21	1	27273-0002	GROUND LUG
22	2	31704	HEAT SINK
23	9	31463	SOLID STATE RELAY
24	2	28041-0011	CONTACTOR, 4-POLE
25	1	35625	KIT, AIR SWITCH
26	1	27021-0012	FUSE BLOCK, 2-POLE
27	1	27021-0011	FUSE BLOCK, 8-POLE
28	3	30351	FUSE, 6A 250V
29	1	31158	FUSE, 2A 250V
30	6	28041-0011	FUSE, 4A 250V

15



VIII. GAS BURNER SYSTEM (GAS OVENS ONLY)

ITEM	QTY.	P/N	DESCRIPTION
1	1	28092-0020	MULTIFUNCTION GAS VALVE
2	1	37770	KIT, SOLENOID VALVE
3	1	27361-0018	BURNER ASSEMBLY
4	1	27170-0287	BURNER BLOWER/MOTOR ASSEMBLY
5	1	42810-0087	KIT, AIR SHUTTER ASSEMBLY
6	1	42400-0640	ASSY, PITOT TUBE
7	1	36562	KIT, BURNER MOUNTING RING
8	1	27170-0223	VENTURI ASSEMBLY
9	1	42810-0117	KIT, PILOT IGNITOR ASSEMBLY
10	1	27170-0264	PILOT IGNITOR BRACKET
11	1	27170-0204	PILOT SHIELD
12	1	38284	FITTING, PILOT TUBING

ITEM	QTY.	P/N	DESCRIPTION
13	A/R	15125-0002	TUBING, ALUMINUM, 1/4" DIA., PER 1 FT./305mm LENGTH
14	1	23052-0007	FITTING, PILOT BULKHEAD
15	1	38279	MAIN ORIFICE HOLDER/GAS INLET CONNECTOR
16	1	23051-0004	PIPE UNION, 3/4"
17	1	30185	KIT, PILOT PRESSURE TAP (PILOT TEE)
18	A/R	15125-0002	TUBING, ALUMINUM, 1/4" DIA., PER 1 FT./305mm LENGTH
19	1	See chart	ORIFICE, MAIN
20	1	See chart	ORIFICE, PILOT
21	1	See chart	ORIFICE, BYPASS

17

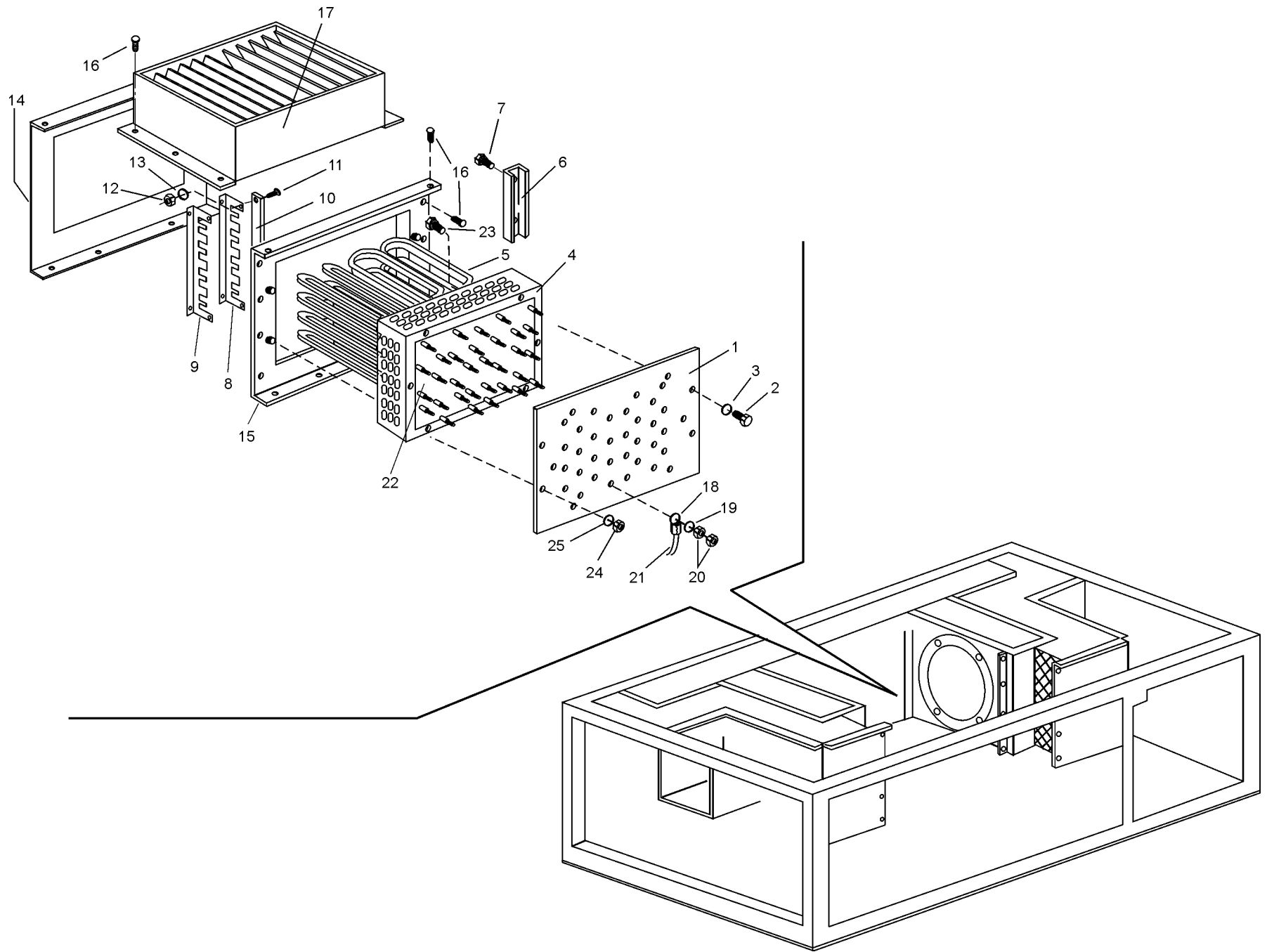
GAS ORIFICES FOR PS360-U, PS360-L

GAS TYPE		ITEM 19 MAIN ORIFICE		ITEM 20 PILOT ORIFICE		ITEM 21 BYPASS ORIFICE	
Natural	G20	22176-0004	5.5mm	22174-0011	0.64mm	22174-0020	1.65mm
Natural	G25	22176-0004	5.5mm	22174-0011	0.64mm	22174-0020	1.65mm
Natural	G20,G25	31979	4.5mm	22174-0011	0.64mm	22174-0006	1.50mm
Liquid	G30	22176-0023	2.7mm	22174-0010	0.38mm	22174-0023	0.85mm
Liquid	G30,G31	30875	3.1mm	22174-0010	0.38mm	22174-0009	0.95mm

GAS ORIFICES FOR PS360WB-U, PS360WB-L

GAS TYPE		ITEM 19 MAIN ORIFICE		ITEM 20 PILOT ORIFICE		ITEM 21 BYPASS ORIFICE	
Natural	G20	22176-0014	6.3mm	22174-0011	0.64mm	30874	2.30mm
Natural	G25	22176-0014	6.3mm	22174-0011	0.64mm	30874	2.30mm
Natural	G20,G25	22176-0004	5.4mm	22174-0011	0.64mm	31983	2.00mm
Liquid	G30	30875	3.1mm	22174-0010	0.38mm	31313	1.40mm
Liquid	G30,G31	31984	3.5mm	22174-0010	0.38mm	31313	1.40mm

**PS300 series
Europe**

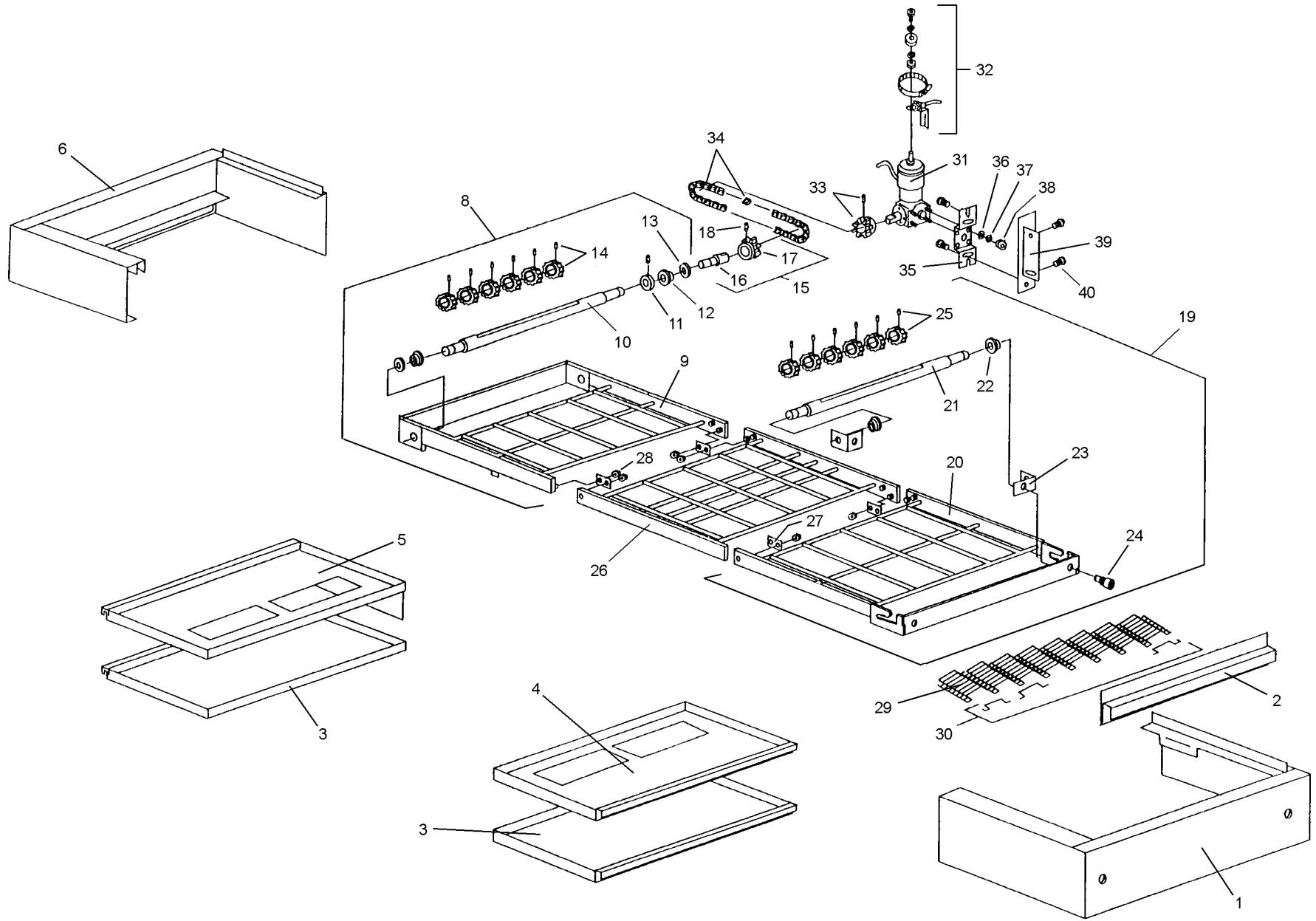


IX. ELECTRIC HEATERS (ELECTRIC OVENS ONLY)

<i>ITEMQTY.</i>	<i>P/N</i>	<i>DESCRIPTION</i>
- 1	42400-0312	HEATING ELEMENT ASSEMBLY, 380V (INC. ITEMS 1-7)
1 1	35000-1316	HEATING ELEMENT COVER
2 6	A6153	SCREW, HEX HD 1/4"-20 X 1/2"
3 6	21426-0002	LOCKWASHER, 1/4"
4 1	37000-0562	MOUNTING PLATE, HEATER
5 18	27374-0003	HEATING ELEMENT, 380V
6 4	35000-1340	BRACKET HOLDER, HEATING ELEMENT
7 8	A3896	SCREW, HEX HD 5/16"-18 x 1"
8 2	35000-1337	HEATING ELEMENT SPACER (4)
9 2	35000-1338	HEATING ELEMENT SPACER (5)
10 4	35000-1339	HEATING ELEMENT SPACER BAR
11 8	21226-0007	SCREW, RND HD #10-24 x 1/2"
12 8	A3323	HEX NUT, 10-24 SS

<i>ITEMQTY.</i>	<i>P/N</i>	<i>DESCRIPTION</i>
13 8	21426-0005	LOCKWASHER, #10
14 1	35000-1199	INNER PLATE
15 1	35000-1200	OUTER PLATE
16 36	21292-0001	SCREW, HEX HD #10-16 x 3/4"
17 1	37116-0022	BAFFLE
18 A/R	27252-0005	RING TERMINAL, #12 AWG, 1200°F/649°C
19 A/R	21426-0005	LOCKWASHER, #10
20 A/R	21126-0007	HEX NUT, #10-32
21 A/R	27152-0047	WIRE, STRAND #12 AWG (842°F/450°C)
22 A/R	22134-0002	INSULATION - CERAWOOL, 2" THICK x 24" WIDE
23 8	A3896	SCREW, HEX CAP HD 5/16"-18 X 1"
24 4	21126-0004	HEX NUT, 5/16"-18
25 4	21426-0003	LOCKWASHER, 5/16"

20

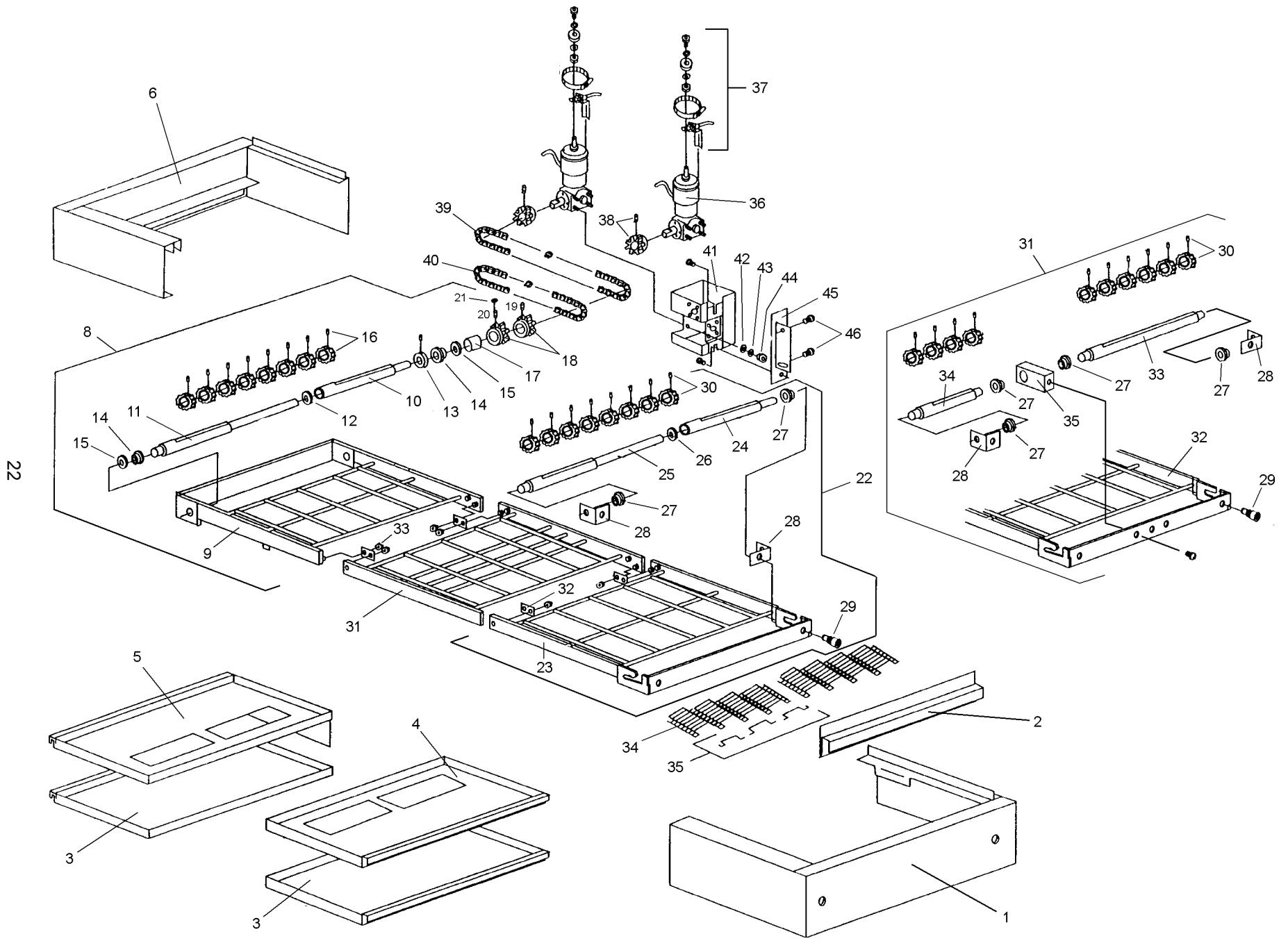


X. CONVEYOR ASSEMBLY, SINGLE-BELT OVENS

		P/N		
ITEM	QTY.	PS360-U/-L	PS360WB-U/-L	DESCRIPTION
1	1	37000-0469	37200-0023	COVER, CONV. EXTENSION, IDLER END
2a	1	35000-1103	35000-1899	CONVEYOR END STOP, STD
2b	1	37000-0524	37000-0524	CONVEYOR END STOP, WIDE-"Q" MODELS ONLY
3	2	35000-0948	35000-1861	CRUMB PAN - ALL SINGLE OVENS, OR LOWER OVEN OF 2-STACK
4	1	35000-1077	35000-1862	CRUMB PAN - UPPER OVEN (IDLER END) OF 2-STACK
5	1	37000-0470	42400-0593	CRUMB PAN WITH HEAT DIVERTER - UPPER OVEN (DRIVE END OF 2-STACK)
6	1	37000-0470	37000-0025	COVER, CONVEYOR EXTENSION, DRIVE END
7	1	42400-0284	42400-0594	CONVEYOR ASSEMBLY, COMPLETE (WITH BELT)
8	1	42400-0283	42400-0595	CONVEYOR ASSEMBLY - DRIVE
9	1	37000-0408	37200-0026	CONVEYOR FRAME - DRIVE
10	1	35000-1012	35000-1864	CONVEYOR DRIVE SHAFT
11	2	22011-0013	22011-0013	SHAFT COLLAR W/SCREW
12	2	22034-0003	22034-0003	BUSHING, 5/8" ID X 3/4" OD X 1/2" L
13	1	35000-1080	35000-1080	NYLON SPACER
14	6	22229-0003	22229-0003	CONV. SPROCKET WITH SET SCREW
--	A/R	21276-0039	21276-0039	SOCKET SET SCREW, 1/4"-28 X 3/8"
15	1	42400-0309	42400-0309	DRIVE SPROCKET ASSY
16	1	35000-1013	35000-1013	DRIVE SHAFT ADAPTER
17	1	22152-0017	22152-0017	SPROCKET, 9T
18	1	21276-0038	21276-0038	SKT. SET SCREW, #10-24 X 5/16"
19	1	42400-0282	42400-0596	CONVEYOR ASSEMBLY - IDLER
20	1	37000-0409	37200-0027	CONVEYOR FRAME - IDLER
21	1	35000-1011	35000-1865	CONVEYOR IDLER SHAFT
22	2	22034-0003	22034-0003	BUSHING, 5/8" ID X 3/4" OD X 1/2" L
23	2	37000-0413	37000-0413	TENSION ADJUSTMENT BRACKET
24	2	35000-1008	35000-1008	TENSION ADJUSTMENT BOLT
25	6	22229-0003	22229-0003	CONV. SPROCKET W/SET SCREW
--	A/R	21276-0039	21276-0039	SKT. SET SCREW, 1/4"-28 X 3/8"

		P/N		
ITEM	QTY.	PS360-U/-L	PS360WB-U/-L	DESCRIPTION
26a	1	37000-0410	37200-0028	CONV. FRAME - CENTER, STANDARD
26b	2	37000-0635	33293	CONV. FRAME - CENTER, TANDEM OVENS
27	A/R	35900-0169	35900-0169	CONVEYOR PIVOT PLATE
28	A/R	21176-0001	21176-0001	HEX LOCK NUT, 1/4"-20
29a	1	22450-0001	22450-0289	CONV. BELT, COMPLETE 174"L
29b	--	33900-0032	33900-0085	BELT SECTION, 12"L
30	1	42400-0089	42400-0598	MASTER LINKS KIT
31	1	27384-0008	27384-0008	GEAR MOTOR, 1400:1
--	2	22450-0052	22450-0052	BRUSHES, GEAR MOTOR
32	1	27170-0263	27170-0263	PICKUP ASSEMBLY
33a	1	22152-0018	22152-0018	SPROCKET, STANDARD - 15T WITH SET SCREW
33b	1	22152-0027	--	SPROCKET, HIGH SPEED OPTION - 45T WITH SET SCREW
33c	1	22152-0022	22152-0022	SPROCKET, TANDEM OVEN - 30T WITH SET SCREW
34a	1	42400-0163	42400-0163	ROLLER CHAIN ASSY - STANDARD, 52 LINKS, 25-1/2", WITH MASTER LINK
34b	1	42400-0164	42400-0164	ROLLER CHAIN ASSY - TANDEM OVENS, 62 LINKS, 30-1/2", WITH MASTER LINK
35	1	35000-1021	35000-1021	MOTOR MOUNTING BRACKET
36	4	21411-0003	21411-0003	FLAT WASHER, 1/4"
37	4	21426-0002	21426-0002	LOCK WASHER, 1/4"
38	4	21126-0009	21126-0009	HEX NUT, 1/4"-20
39	1	37000-0427	37000-0427	MOTOR MOUNTING WELDMENT
40	4	21212-0002	21212-0002	SCREW, CAP HEX HD 1/4"-20 X 3/4"

21



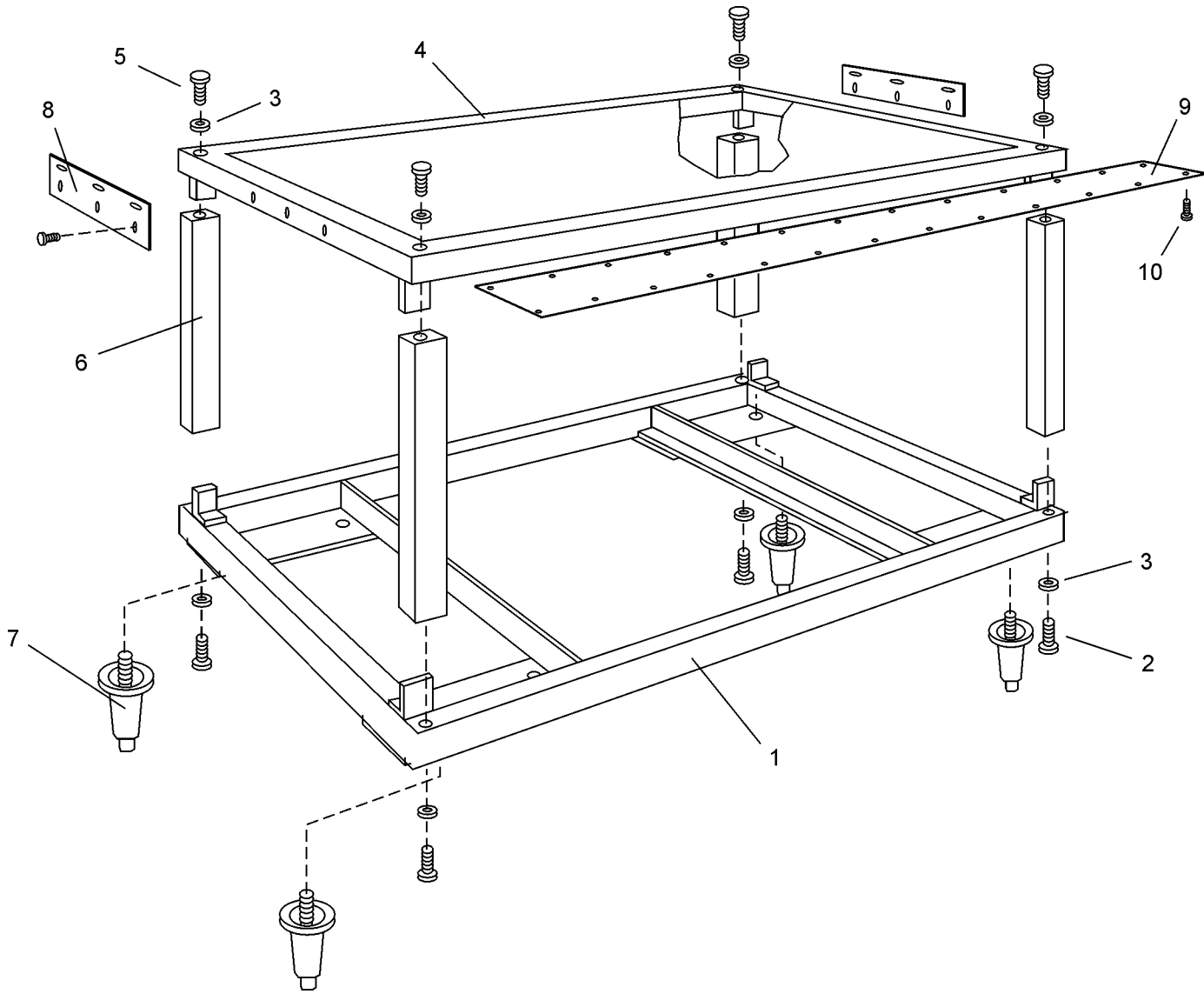
XI. CONVEYOR ASSEMBLY, SPLIT-BELT OVENS

ITEM QTY.	P/N			DESCRIPTION	
	PS360-U/-L 15"+15" BELTS	PS360WB-U/-L 19"+19" BELTS	13"+26" BELTS		
1	1	37000-0469	37200-0023	37200-0023	COVER, CONVEYOR EXTENSION, IDLER END
2a	1	35000-1103	35000-1899	35000-1899	CONVEYOR END STOP, STD
2b	1	37000-0524	37000-0524	37000-0524	CONVEYOR END STOP, WIDE - "Q" MODELS ONLY
3	2	35000-0948	35000-1861	35000-1861	CRUMB PAN - ALL SINGLE OVENS, OR LOWER OVEN OF 2-STACK
4	1	35000-1077	35000-1862	35000-1862	CRUMB PAN - UPPER OVEN (IDLER END) OF 2-STACK
5	1	37000-0470	42400-0593	42400-0593	CRUMB PAN WITH HEAT DIVERTER - UPPER OVEN (DRIVE END OF 2-STACK)
6	1	37000-0470	37000-0025	37000-0025	COVER, CONVEYOR EXTENSION, DRIVE END
7	1	42400-0360	--	--	CONVEYOR ASSEMBLY, COMPLETE (WITH BELT)
8	1	42400-0358	--	--	CONVEYOR ASSEMBLY - DRIVE
9	1	37000-0408	37200-0026	37200-0026	CONVEYOR FRAME - DRIVE
10	1	35000-1536	35200-0066	36033	CONVEYOR DRIVE SHAFT - REAR
11	1	42400-0355	42400-0632	36034	CONVEYOR DRIVE SHAFT - FRONT
12	1	21415-0001	21415-0001	21415-0001	FLAT WASHER, BRONZE
13	1	22011-0014	22011-0014	22011-0014	SPLIT LOCKING COLLAR
14	2	22034-0003	22034-0003	22034-0003	BUSHING, 5/8" ID X 3/4" OD X 1/2" LONG
15	2	35000-1080	35000-1080	35000-1080	NYLON SPACER
16a	8	22229-0003	22229-0003	--	CONVEYOR SPROCKET WITH SCREW
16b	10	--	--	22229-0003	CONVEYOR SPROCKET WITH SCREW
--	A/R	21276-0039	21276-0039	21276-0039	SOCKET SET SCREW, 1/4"-28 X 3/8"
17	1	35000-1537	35000-1537	35000-1537	BUSHING SPROCKET, FRONT
18	2	22152-0017	22152-0017	22152-0017	SPROCKET, 9T
19	1	21276-0038	21276-0038	21276-0038	SOCKET SET SCREW, #10-24 X 5/16"
20	1	21276-0049	21276-0049	21276-0049	SOCKET SET SCREW, #10-24 X 1/2"
21	1	A3323	A3323	A3323	HEX NUT, #10-24
22	1	42400-0359	--	--	CONVEYOR ASSEMBLY - IDLER, WITHOUT CENTER SUPPORT BEARING BLOCK
23	1	37000-0409	37200-0027	--	CONVEYOR FRAME - IDLER
24	1	35000-1071	35200-0065	--	CONVEYOR IDLER SHAFT - REAR
25	1	42400-0354	42400-0631	--	CONVEYOR IDLER SHAFT - FRONT
26	1	21415-0001	21415-0001	--	FLAT WASHER, BRONZE
27	2	22034-0003	22034-0003	--	BUSHING, 5/8" ID X 3/4" OD X 1/2" LONG
28	2	37000-0413	37000-0413	--	TENSION ADJUSTMENT BRACKET
29	2	35000-1008	35000-1008	--	TENSION ADJUSTMENT BOLT
30	8	22229-0003	22229-0003	--	CONVEYOR SPROCKET WITH SCREW
--	A/R	21276-0039	21276-0039	--	SOCKET SET SCREW, 1/4"-28 X 3/8"

23

ITEM QTY.	P/N			DESCRIPTION	
	PS360-U/-L 15"+15" BELTS	PS360WB-U/-L 19"+19" BELTS	13"+26" BELTS		
31	1	--	--	--	CONVEYOR ASSEMBLY - IDLER, WITH CENTER SUPPORT BEARING BLOCK
32	1	--	36032	36032	CONVEYOR FRAME - IDLER
33	1	--	36961	36037	CONVEYOR IDLER SHAFT - REAR
34	1	--	36961	36040	CONVEYOR IDLER SHAFT - FRONT
35	1	--	33757	33757	IDLER SUPPORT BEARING BLOCK
27	4	--	22034-0003	22034-0003	BUSHING, 5/8" ID X 3/4" OD X 1/2" LONG
28	2	--	37000-0413	37000-0413	TENSION ADJUSTMENT BRACKET
29	2	--	35000-1008	35000-1008	TENSION ADJUSTMENT BOLT
30a	8	--	22229-0003	--	CONVEYOR SPROCKET WITH SCREW
30b	10	--	--	22229-0003	CONVEYOR SPROCKET WITH SCREW
--	A/R	--	21276-0039	21276-0039	SOCKET SET SCREW, 1/4"-28 X 3/8"
31	1	37000-0410	37200-0028	37200-0028	CONVEYOR FRAME - CENTER
32	4	35900-0169	35900-0169	35900-0169	CONVEYOR PIVOT PLATE
33	8	21176-0001	21176-0001	21176-0001	HEX LOCK NUT, 1/4"-20
34a	2	22450-0094	22450-0292	--	CONV. BELT, COMPLETE 174"L
34b	1	--	--	36057	CONV. BELT, COMPLETE 13"W X 174"L
34c	1	--	--	36058	CONV. BELT, COMPLETE 26"W X 174"L
34d	--	33900-0037	39388	--	BELT SECTION, 12"L
34e	--	--	--	36072	BELT SECTION, 13"W X 12"L
34f	--	--	--	36073	BELT SECTION, 26"W X 12"L
35	1	NOT AVAIL.	NOT AVAIL.	NOT AVAIL.	MASTER LINKS KIT
36	2	27384-0008	27384-0008	27384-0008	GEAR MOTOR, 1400:1
--	4	22450-0052	22450-0052	22450-0052	BRUSHES, GEAR MOTOR
37	2	27170-0263	27170-0263	27170-0263	PICKUP ASSEMBLY
38	2	22152-0018	22152-0018	22152-0018	SPROCKET - 15T WITH SET SCREW
39	1	42400-0163	42400-0163	42400-0163	ROLLER CHAIN ASSY - 25-1/2", WITH MASTER LINK
40	1	42400-0160	42400-0160	42400-0160	ROLLER CHAIN ASSY - 14-1/2", WITH MASTER LINK
41	1	37000-0632	37000-0632	37000-0632	MOTOR MOUNTING BRACKET
42	8	21411-0003	21411-0003	21411-0003	FLAT WASHER, 1/4"
43	8	21426-0002	21426-0002	21426-0002	LOCKWASHER, 1/4"
44	8	21126-0009	21126-0009	21126-0009	HEX NUT, 1/4"-20
45	1	37000-0427	37000-0427	37000-0427	MOTOR MOUNTING WELDMENT
46	4	21212-0002	21212-0002	21212-0002	SCREW, CAP HEX HD 1/4"-20 X 3/4"

**PS300 series
Europe**



XII. UPPER OVEN STAND

<i>ITEM</i>	<i>QTY.</i>	<i>PS360-U</i>	<i>PS360WB-U</i>	<i>DESCRIPTION</i>
--	1	49009-0005	32433	UPPER OVEN STAND ASSEMBLY
1	1	37115-0208	31890	BOTTOM FRAME WELDMENT
2	4	21211-0034	21211-0034	HEX HEAD BOLT, 1/2"-13 X 3"
3	8	21421-0002	21421-0002	LOCKWASHER
4	1	37115-0207	31899	TOP FRAME WELDMENT
5	4	21251-0019	21251-0019	HEX SOCKET HEAD SCREW 1/2"-13 X 1"
6	4	37115-0209	37115-0209	CORNER POST WELDMENT
7	4	22450-0028	22450-0028	6" LEG WITH ADJUSTABLE 3/4" STUD
8	2	35122-0049	35122-0049	TIE PLATE ATTACHMENT STRIP (INCLUDED WITH INSTALLATION KIT)
9	1	35000-1236*	--	COVER PLATE, INSULATION
10	A/R	21292-0001	--	SCREW, HEX WSHR HD #10-16 X 3/4"

* NOTE: The insulation cover plate is only used for PS360-U ovens.

WARNING

Improper installation, adjustment, alteration, service or maintenance can cause property damage, injury or death. Read the installation, operating and maintenance instructions thoroughly before installing or servicing this equipment.

NOTICE

During the warranty period, ALL parts replacement and servicing should be performed by your Middleby Marshall Authorized Service Agent. Service that is performed by parties other than your Middleby Marshall Authorized Service Agent may void your warranty.

NOTICE

Using any parts other than genuine Middleby Marshall factory manufactured parts relieves the manufacturer of all warranty and liability.

NOTICE

Middleby Marshall reserves the right to change specifications at any time.

Middleby Cooking Systems Group • 1400 Toastmaster Drive • Elgin, IL 60120 • USA • (847)741-3300 • FAX (847)741-4406

24-Hour Service Hotline: 1-(800)-238-8444

www.middleby.com

