



Simply Engineered Better

MDHHB

High Temperature
Door-type
Extended Hood Warewashing Machine with Booster

MDHH Model is without Booster



SPECIFIER STATEMENT

Specified unit will be Moyer Diebel model MDHHB door-type high temperature extended hood warewasher with built-in booster. (MDHH model is without booster)

Features include 2 Hp motor, 5.2 kW electric tank heat, dual NSF approved as both dishwasher and potwasher, adjustable mode/timer switch and interchangeable stainless steel upper and lower wash and rinse arms.

1 year parts and labor warranty.



Project _____

Item No. _____

Quantity _____

MDHHB DOOR-TYPE

STANDARD FEATURES

- **ENERGY STAR® Qualified**
- Dual NSF listed as both a dishwasher and Pot/Pan washer
- Automatic tank fill
- Built-in stainless steel electric booster or internally mounted (MDHHB only)
- Automatic drain valve
- Adjustable mode/time selector switch
- Door activated cycle start
- Electric tank heat (5.2 kW)
- Low-water tank heat protection
- 2-Hp drip-proof pump motor
- Stainless steel pump impeller
- Door safety switch
- Interchangeable upper and lower spray arms
- Stainless steel front and side panels
- Vented wash chamber design
- Detergent/chemical connection provisions
- Single point electrical connection (see chart)
- Vent fan control

OPTIONS & ACCESSORIES

- Electric:** 70°F rise (built-in) (MDHHB only)
- Sheet pan rack**
- Corner** operation with 90° mounted controls
- Water pressure regulating valve** (mounted) (MDHHB only)
- Drain water tempering kit**

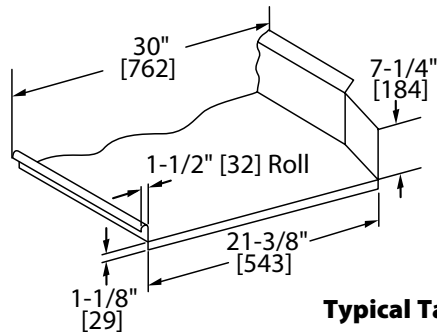
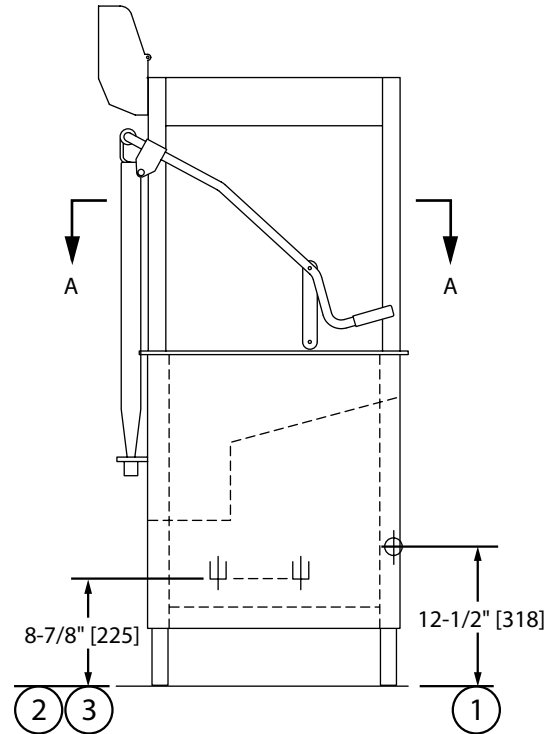
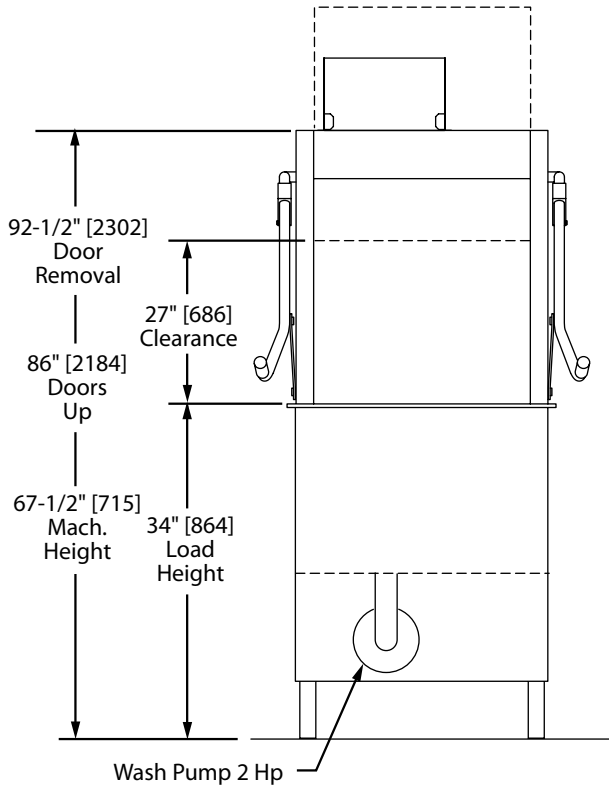


MDHHB DOOR-TYPE

High Temperature Door-type
Extended Hood Warewashing Machine with Booster
MDHH Model is without Booster

Details, Dimensions & Connections

Length between table connections: **26"**
Volume crated: **46 cu. ft.**
Shipping weight crated: **400 lbs.**
Dimensions shown in inches [and millimeters]



Typical Table Construction

For Electrical Heat MDHH Electrical Power Requirements			
Elec. Specs.	Rated Amps	Minimum Supply Ckt. Conductor Ampacity	Maximum Overcurrent Protective Device
208/60/1	40	50	50
240/60/1	43	50	50
208/60/3	22	25	25
240/60/3	23	25	25
480/60/3	10	15	15
575/60/3	8	15	15

Utilities	
1	Electrical (See Box)
2	Hot Water 3/4" NPT 110°F-140°F hot water connection. Flow pressure 20-22 psi.
3	Drain 2" O.D. connection. Max. flow rate. 15 US gpm.

For Electrical Heat MDHHB w/40°F Rise Booster			
Elec. Specs.	Rated Amps	Minimum Supply Ckt. Conductor Ampacity	Maximum Overcurrent Protective Device
208/60/1	76	80	80
240/60/1	85	90	90
208/60/3	42	45	45
240/60/3	47	50	50
480/60/3	20	25	25
575/60/3	17	25	25

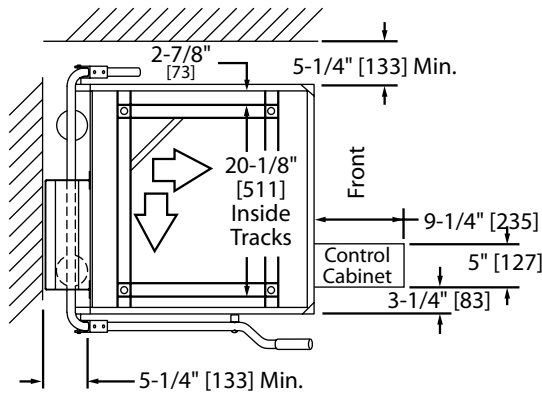
For Electrical Heat MDHHB w/70°F Rise Booster			
Elec. Specs.	Rated Amps	Minimum Supply Ckt. Conductor Ampacity	Maximum Overcurrent Protective Device
208/60/3	59	70	70
240/60/3	67	70	70
480/60/3	31	35	35
575/60/3	26	30	30

Due to an ongoing value analysis program at Moyer Diebel, specifications contained in this catalog are subject to change without notice.

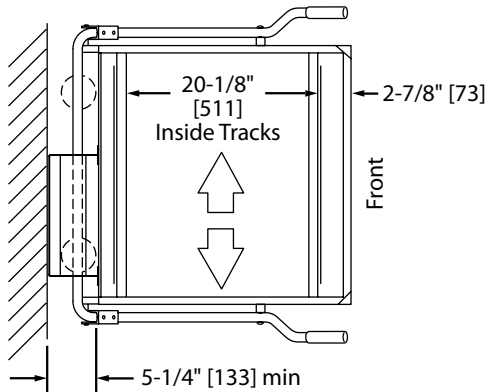
MDHHB DOOR-TYPE

High Temperature Door-type
Extended Hood Warewashing Machine with Booster
MDHH Model is without Booster

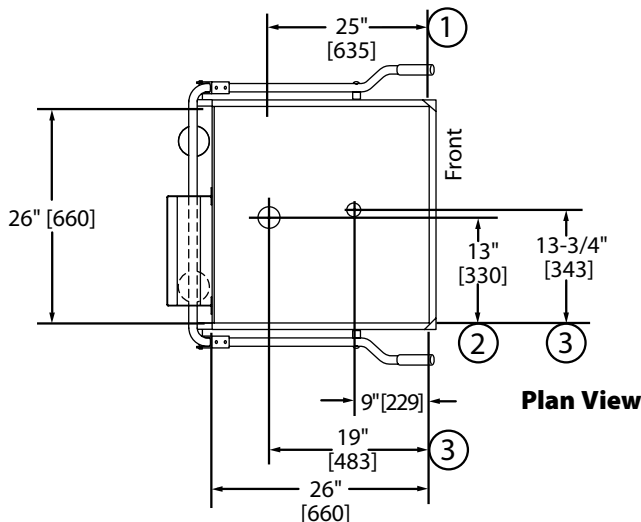
Dimensions shown in inches [and millimeters]



Corner Configuration



Straight-through Configuration



Plan View

SPECIFICATIONS

Capacities

Wash tank US gal.	9
Dishwasher Mode:	
NSF Rated Racks per hr.	49/29
Pot/Pan Washer Mode:	
NSF Rated Racks per hr.	19/10

Motor horsepower

2

Water consumption

	Dishwasher Mode	Pot/Pan Washer Mode
Gal. per rack		
US gal./liters	0.9/3.4	1.34/5.1

Gal. per hr. (max. use) US gal.	44	36/99
------------------------------------	----	-------

Temperature°F

Wash	150
Rinse	180

Heating

Tank heat, electric (kW)	5.2
Electric booster (kW required for 40°F rise)	9
Electric booster (kW required for 70°F rise)	13

Time cycle in seconds

	Dishwasher Mode		Pot/Pan Washer Mode	
Wash	44	96	Wash	156 336
Rinse	10	10	Rinse	13 13
Dwell	14	14	Dwell	11 11
Total	68	120	Total	180 360

Warning: Plumbing and electrical connection should be made by qualified personnel who will observe all the applicable plumbing, sanitary and safety codes and the National Electrical Code.

Plumbing Notes: Because of the variation in house supplied water pressure, a water pressure regulating valve (PRV) is needed. The PRV is supplied by Moyer Diebel and has been installed on the machine prior to shipment.

Note: Water Hammer Arrestor (meeting ASSE-1010 standard or equivalent) to be supplied (by others) in common water supply line at service connection.

Due to an ongoing value analysis program at Moyer Diebel, specifications contained in this catalog are subject to change without notice.

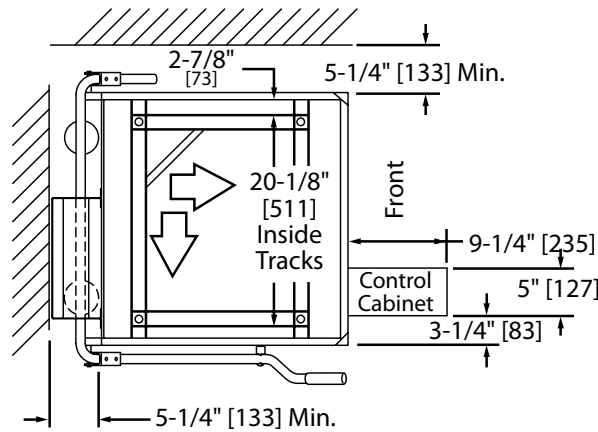
MDHHB

High Temperature Door-type
Extended Hood Warewashing Machine with Booster
MDHH Model is without Booster



**Corner Unit Showing 90°
Mounted Control Panel**

Corner Configuration



Dimensions shown in inches [and millimeters]

Due to an ongoing value analysis program at Moyer Diebel, specifications contained in this catalog are subject to change without notice.

3765 Champion Blvd, Winston-Salem, NC 27105 • 336/661-1992 • Fax: 336/661-1979 • www.moyerdiebel.com
'USGBC' and related logo is a trademark owned by the U.S. Green Building Council and is used by permission.