

OPERATING INSTRUCTIONS

Dedicated Holding Bin Model No. DHB2PT-32



PRODUCT SPECIFICATION

Model No.	Volts	HZ	Watts	Amps
DHB2PT-32	208	50/60	2500	12.2
DHB2PT-32J	200	50/60	2300	11.5
DHB2PT-32CE	220-240	50	2950	12.3
DHB2PT-32GB	240	50	2950	12.3

TABLE OF CONTENTS	PAGE
Installation	2
Control Panel Identification	2
Programming	2
Operation	3
Cleaning	3
Exploded View & Parts List	4
Troubleshooting	5
Wiring Diagram	5

LIMITED WARRANTY

This product is warranted to be free from defects in material and/or workmanship for a period of one (1) year from date of original installation (with the exception of racks, pans, and covers) not to exceed 18 months from date of shipment from our factory .

P.C. Boards and Heaters are warranted for three (1) years from date of installation, not to exceed 18 months from date of shipment from our factory.

This warranty covers on-location service (i.e., trip charges and/or mileage).

Travel mileage is limited to 100 miles (160 kilometers) round trip (one trip per warranty) from an authorized service agency or its sub-service agency.

Any component which proves to be faulty in material and/or workmanship will be replaced or repaired (at the option of Prince Castle, Inc.) without cost to the customer for parts or labor.

This warranty is subject to the following exceptions/conditions:

- ' Any use of non-genuine Prince Castle spare parts voids this warranty.
- ' All labor shall be performed by an authorized Prince Castle Service Agent during regular working hours. Overtime premium will not be covered.
- ' Damage caused by carelessness, neglect, and/or abuse (e.g., dropping, tampering or altering parts), equipment damaged in shipment, by fire, flood or an act of God is not covered under this warranty.

INSTALLATION

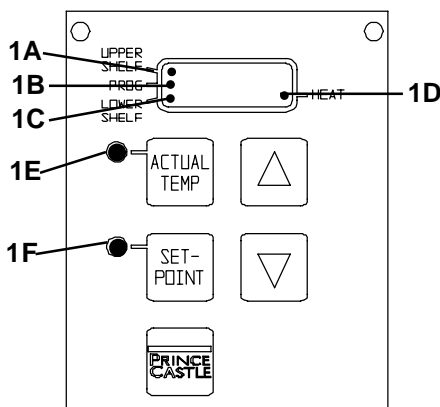
- After you have removed the Bin from the carton, inspect the unit for signs of damage. If there is damage to the unit:
 - Notify carrier within 24 hours after delivery.
 - Save carton and packing materials for inspection purposes.
 - Contact the Prince Castle Customer Sales Department at 1-630-462-8800 to arrange for a replacement to be sent.
- Place the bin on a counter and seal its base to the counter with food-approved sealant.
- Insert the power cord into a proper voltage receptacle. Note: This should be a dedicated outlet. No other equipment should be operating on this line (i.e. fryers, refrigerators, etc.)
- Turn the power switch on. Allow 20 minutes for warm-up.

RECOMMENDED STARTING

TEMPERATURES

- Temperature settings:**
There are two holding cavities, the top cavity is used to hold sides and the bottom cavity holds biscuits. There is a top heater and a bottom heater in each cavity. The temperature of each heater can be set independent of each other. The recommended starting temperature for each heater is 180°F.

THE CONTROL PANEL



- Display**
 - The LED indicator next to the **UPR SHELF** indicates that the temperature being displayed is for a heater in the upper cavity.

- The LED indicator next to the **PROG** is on when in the Program Mode.
- The LED indicator next to the **LWR SHELF** indicates that the temperature being displayed is for the a heater in the lower cavity.
- The LED indicator next to the **HEAT** is on when power is applied to the heater.
- The LED indicator next to **ACTUAL TEMP** is on when the Actual Temperature is being displayed.
- The LED indicator next to **SET POINT TEMP** is on when the Set Point Temperature is being displayed.

2. Control Panel buttons

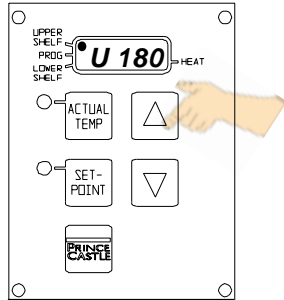
- SET POINT:** The set-point temperature is displayed for the selected heaters when this button is pressed during the operating mode. The SET POINT LED indicator in the display will be on when the Set-point mode is selected. Press and hold the Prince Castle button then press and hold the SET-POINT button for 5 seconds to program the temperature for the selected heater.
- ACTUAL TEMP:** The actual temperature is displayed for the selected heaters when this button is pressed during the operating mode. The ACTUAL TEMP LED indicator in the display will be on when the Set-point mode is selected.
- UP ARROW and DOWN ARROW:** When pressed in the operating mode, the display will scroll through the temperatures of the heaters. The LED next to the **UPR SHELF** or **LWR SHELF** will be on to indicate which cavity is being selected. The letter **U** or **L** is displayed for the **Upper** or **Lower** heater in the selected cavity.

PROGRAMMING

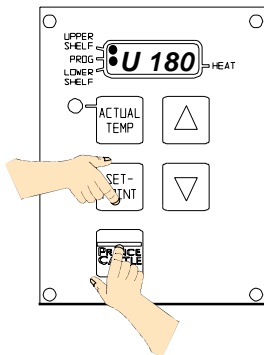
The temperature adjustment range for a heater zone is: OFF, 150°F to 275°F. The recommended starting setpoint temperature for all four heaters is 180°F.

Use the following procedure to change a setpoint temperature.

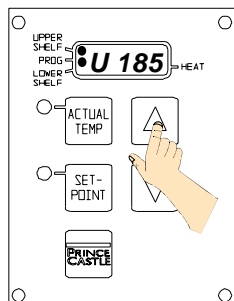
1. Press the **UP** or **DOWN** arrow button until the heater to be changed is selected. For Top Cavity, the LED next to the **UPR SHELF** is on, and for lower cavity, the LED next to the **LWR SHELF** is on. After selecting the cavity, the left most character in the temperature display shows the heater. **U** is the **Upper** heater and **L** is the **Lower** heater.



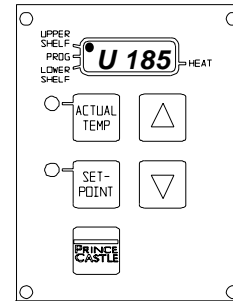
2. To change the temperature of the selected zone, press and hold the **SET POINT** button and press the **PRINCE CASTLE** button for 6 seconds. The LED indicator next to **PROG** will light to indicate the Program Mode is active.



3. Use the **UP** and **DOWN** arrow buttons to increase or decrease the setpoint temperature.



4. Press the **ACTUAL TEMP** button to end the Program Mode and store the setpoint temperature value (the LED next to **PROG** will turn off). The controller will regulate to the new setpoint temperature.



5. Repeat steps 1-4 for remaining heaters.

OPERATION

Factory preset is set to display temperatures in Fahrenheit. To change to Celsius, turn the power switches off. Press and hold the **DOWN** arrow then turn the power switch on and after two seconds, release the **DOWN** arrow button. To change back to Fahrenheit, turn the power switch to the off position, press and hold the **UP** arrow and turn the power switch to the on position. After two seconds, release the **UP** arrow button.

To view the actual heater temperature, press the **ACTUAL TEMP** button. The LED indicator next to the **ACTUAL TEMP** button will light. Press the **UP** or **DOWN** arrow button to select heaters.

CLEANING



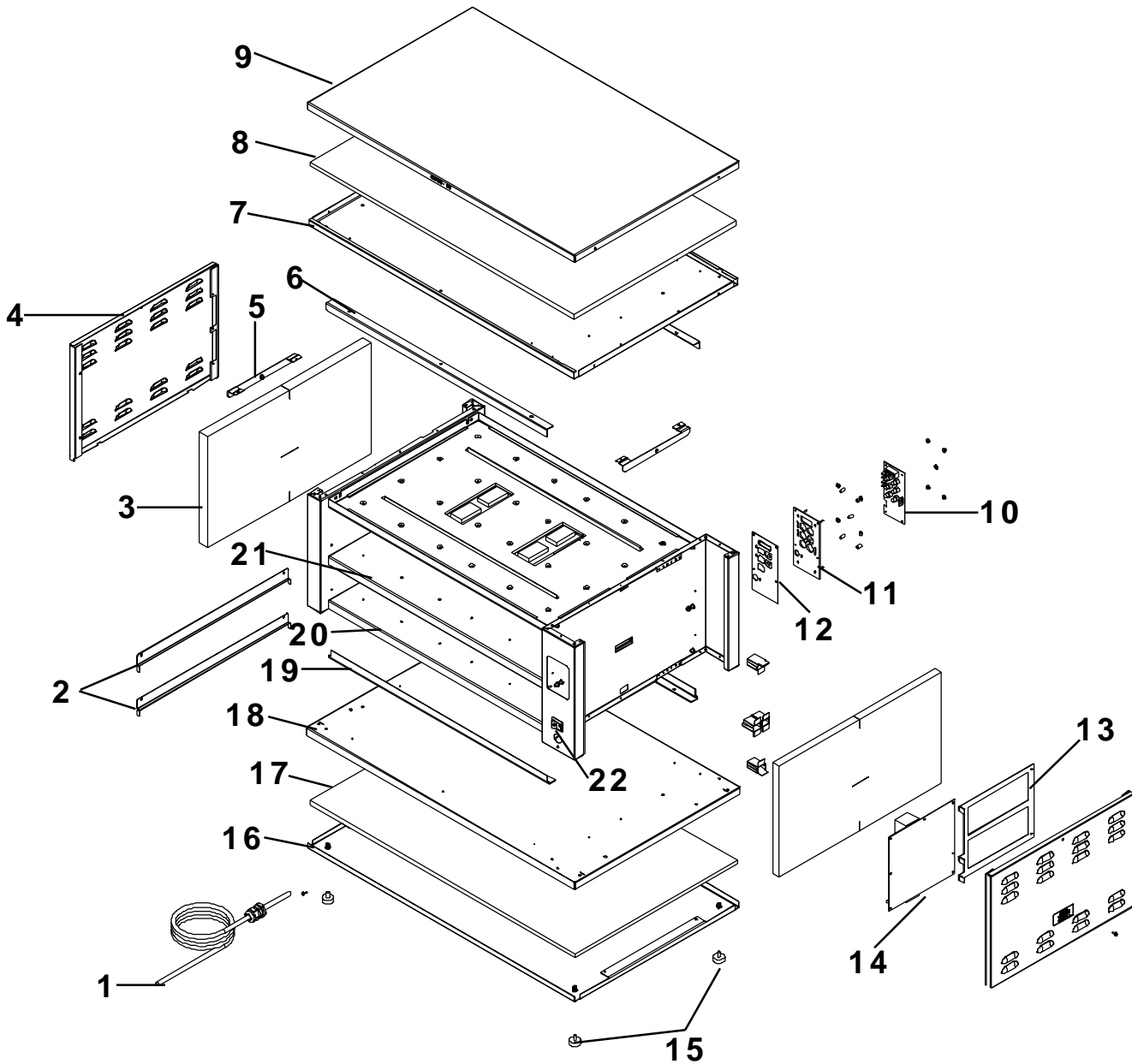
Caution: This bin is not watertight. Do not clean with Water Jet/Jet Spray. Do not immerse the bin with water.



Caution: Before unplugging the power cord, make sure the power switches are in the OFF position.

1. Unplug the power cord from the outlet.
2. Allow the bin to cool down (approximately 25 minutes).
3. Wipe down surface with a damp cloth. Do not use a green Scotch Bright pad, unapproved cleaner, ice or water.
4. Turn power on after all surfaces are dry.

EXPLODED VIEW



PARTS LIST

<u>Item</u>	<u>Part</u>	<u>Description</u>	<u>Item</u>	<u>Part</u>	<u>Description</u>
1	72-342S	Line Cord	13	528-021	Controller Bracket
2	528-015	Heater Panel Cover	14	541-431S	PCB, Main
3	528-024	Side Insulation	15	197-232	Foot
4	528-020	Side Panel	16	528-017	Base Cover
5	542-129	Stop Bracket	17	528-025	Insulation
6	528-022	Upper Trim	18	528-016	Base
7	528-018	Header	19	528-023	Lower Trim
8	528-025	Top Insulation	20	528-004S	Heater Assembly
9	528-019	Top Cover	21	528-011S	Upper Heater Lower Cavity
10	541-333S	PCB, Display	22	78-166S	Lighted Rocker Switch
11	528-026	Back Plate			
12	536-802	Overlay			

TROUBLESHOOTING

Problem	Cause	Solution
A. Display flashes "Opn" & "rEL"	Open relay. Circuit inoperable	Replace Power Circuit Board
B. Display flashes "SHr" & "rEL"	Shorted relay. Circuit inoperable. Open heater.	Replace Power Circuit Board. Test heater resistance.(150.2 Ohms)
C. Display shows "LLL"	Temperature is below 75° F Heater inoperable. Probe inoperable. Relay Inoperable	Normal display during warm up. Test heater resistance.(150.2 Ohms) Check for open thermocouple wires from probe. Replace heater/probe assembly.
D. Display shows "HHH" for an extended period of time	Temperature is above 300° F (abnormal operation)	Diagnostic circuit inoperable. Replace Power Circuit Board. See B above. assembly.

To reset all times and temperatures to the factory settings, turn unit off, press and hold the **UP** and **DOWN ARROW BUTTONS** at the same time, turn unit back on. A **"P"** will appear in the display and all times and temperatures will be reset to the original factory settings.

WIRING DIAGRAM

