

TX-SERIES HIGH-SPEED CONTACT TOASTER



TX-208

"FRESH OUT OF THE OVEN" TASTE:

Prince Castle's TX-Series Toaster uses a method of heating bread products through direct contact with a heated surface. Also known as "bread grilling," this process caramelizes sugars on the open face of the bun without drying out the bread. The result is bread that is hot and moist with a "fresh out of the oven" presentation.

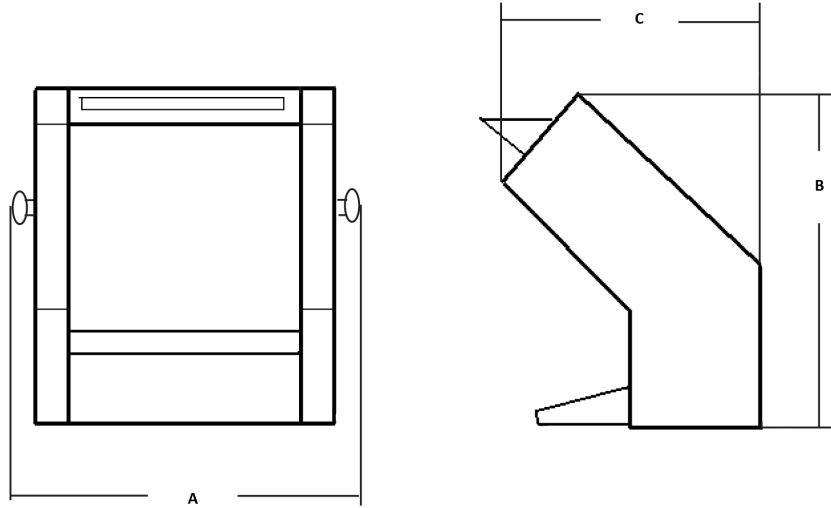
Prince Castle's TX Series Toasters are designed for "barrel run" toasting-- where high power performance ensures 10-second toasting. The TX-Series toasts up to 2000 buns per hour and has a unique ergonomic design for easy loading. The TX Series also features separate heel and crown crush controls to accommodate varying bun sizes. The Teflon sheets prevent sticking during the toasting process and are very easy to clean.

STANDARD FEATURES:

- Designed for "barrel-run toasting," high-power performance ensures 10-second toasting - up to 2000 buns/hour.
- Silicon coated, Teflon infused belt prevents chain markings on bun top side.
- Ergonomically-designed to allow easy bun loading.
- Separate heel and crown bun crush controls accommodate varying bun sizes.
- Adjustable platen temperature for precise toasting.
- Sturdy stainless steel construction.
- Easy to clean and maintain.
- Teflon sheets prevent sticking and are easy to clean.
- One-year parts and labor warranty.

TX-SERIES HIGH-SPEED CONTACT TOASTER

SPECIFICATIONS



TX-Series comes equipped with a 6 ft (182.8 cm) line cord.
 Designs and specifications are subject to change without notice.

DIMENSIONS:

Model Number	Width (A) in (cm)	Height (B) in (cm)	Depth (C) in (cm)	Shipping Weight lb (kg)	Shipping cu.ft. (cu.m.)
TX-208	19.50 (49.50)	23.00 (58.40)	16.76 (42.60)	80.00 (36.40)	9.60 (.30)

ORDERING INFORMATION:

Model	Description
TX-208	High-Speed Contact Griller

ELECTRICAL:

Model Number	Volt	Hz	Watts	AMPS	Plug Config.
TX-208	208	60	4000	19.2	L6-30P

CERTIFICATIONS:

