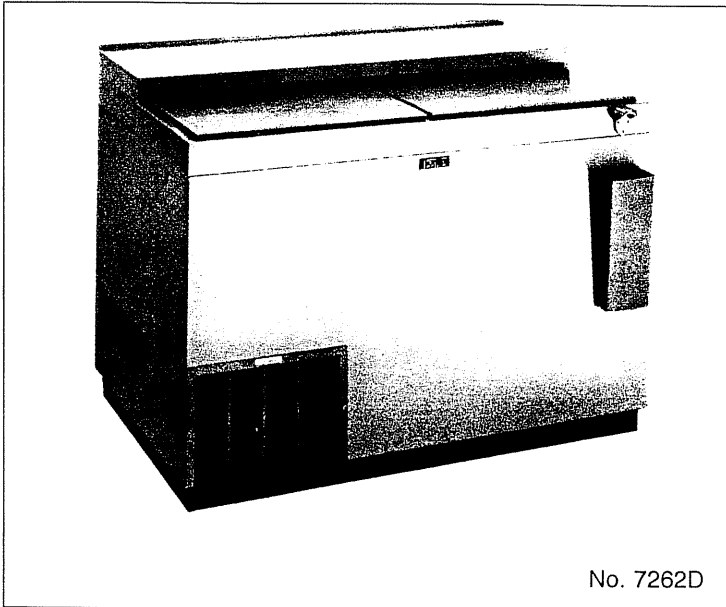




Item No. _____

INSTALLATION and OPERATION INSTRUCTIONS

Flat Top Bottle Coolers



No. 7262D

Model Nos.
 7258 Series
 7260E Series
 7262D Series
 7264 Series

Table of Contents

Cabinet Specifications	2
Installing	
Adjusting Partitions	3
Backsplash	3
Placing and Leveling	3
Sealing to the Floor	3
Temperature Control	4
Removing Sliding Doors	4
Cleaning	4
Replacement Parts	5
Cleaning Stainless Steel	6
Wiring Diagram	7

IMPORTANT WARRANTY INFORMATION

A Warranty card is enclosed that must be completed and mailed to the Perlick Corporation to register the warranty. If the card is not returned to Perlick, the warranty period will begin from the date the equipment is shipped from the factory.

This manual has been prepared to assist you in the installation of your Bottle Cooler and to acquaint you with its operation and maintenance.

We dedicate considerable time to ensure that our products provide the highest level of customer satisfaction. If service is required, your dealer can provide you with a list of qualified service agents. For your own protection, never return merchandise for credit without our approval.

We thank you for selecting a Perlick product and assure you of our continuing interest in your satisfaction.

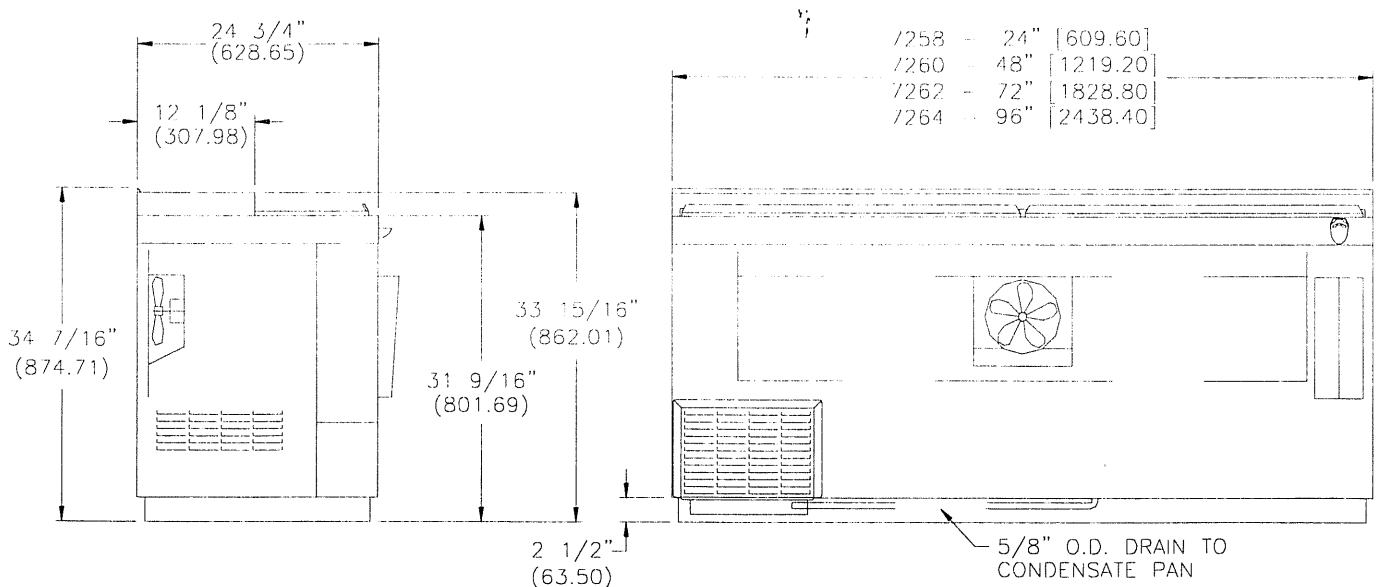


8300 West Good Hope Road
 Milwaukee, WI 53223
 Phone: 414-353-7060 Fax: 414-353-7069
 E-Mail: Perlick@Perlick.com | <http://www.Perlick.com>

SPECIFICATIONS

FLAT TOP BOTTLE COOLERS

MODEL NOS.	Black Painted	7258P	7260EP	7262DP	7264P
	Stainless Steel	7258	7260E	7262D	7264
	All Stainless Steel	7258SSEBL	7260ESSEBL	7262DSSEBL	7264SSEBL
DIMENSIONS EXTERIOR (mm.)	Length	2' (609)	4' (1219)	6' (1828)	8' (2438)
	Depth	24 ³ / ₄ " (628)	24 ³ / ₄ " (628)	24 ³ / ₄ " (628)	24 ³ / ₄ " (628)
	Height	34 ⁷ / ₁₆ " (874)	34 ⁷ / ₁₆ " (874)	34 ⁷ / ₁₆ " (874)	34 ⁷ / ₁₆ " (874)
CASE CAPACITY	12 oz. Export Bottles	5	14	25	35
	12 oz. Mod	6	19	34	49
	12 oz. Cans	7	25	42	59
NO. OF BINS		2	3	5	7
CONDENSING UNIT H.P.		1/5	1/4	1/3	1/3
AMPS		4.2	6.4	8.2	8.2
SHIPPING WEIGHT lbs. (kg.)		190 (86)	300 (136)	405 (184)	515 (234)
INTERIOR	<p>All Models: Adjustable coated wire partitions.</p> <p>Black Enamel and Stainless Steel: Inner door pans nickel alloy stainless steel. Walls, bottom and evaporator housing galvanized steel.</p> <p>All Stainless Steel Model: All interior metal parts nickel alloy stainless steel.</p>				
EXTERIOR	<p>All Models: Stainless steel top and sliding doors. Removable front and rear grilles. Stainless steel bottle opener hood and cap receiver. Standard keyed locks.</p> <p>Black Painted Models: Front, sides and front grille textured steel painted flat black baked-on enamel. Back panel and rear grille galvanized steel. Base galvanized steel painted flat black baked-on enamel.</p> <p>Stainless Steel Models: Front, sides and front grille stainless steel. Back panel and rear grille galvanized steel. Base galvanized steel painted flat black baked-on enamel.</p> <p>All Stainless Models: All exterior metal parts nickel alloy stainless steel.</p>				
ELECTRICAL	115 V, 60 Hz., 1 ph. Furnished with 6 foot rubber plug-in cord (115 V model only).				
REFRIGERATION	134a capillary tube-type hermetic condensing unit with service valves. Balanced refrigeration system. Jumbo-sized evaporator coil with permanently lubricated, oversized blowers. Adjustable temperature control. Frost free; self-defrosting. Compressor pulls out for "in-place" service.				
PLUMBING	No drain required. Condensate evaporates automatically.				
INSULATION	Foamed in place polyurethane insulation.				
OPTIONAL ACCESSORIES	<ul style="list-style-type: none"> • Floor Racks • Casters • Additional Opener & Receiver • Additional Partitions • Bottle Rails • Adjustable Legs • Interior Light Kit • Matching Backsplash 				



PREPARING the CABINET

FLAT TOP BOTTLE COOLERS

PLUMBING

No plumbing connections are required. Liquid from the cooling coil automatically evaporates through a condensate pan located in the condensing unit section.

ELECTRICAL

The cabinet must be connected to a separately fused power source (see Electrical Specification Plate) and grounded in accordance with National and Local Electrical Codes. **Caution:** Do not attempt to operate the equipment on any other power source than that listed on the Electrical Specification Plate.

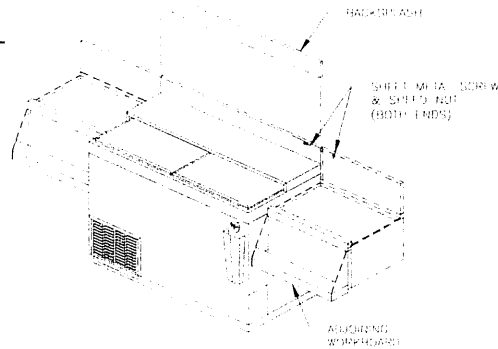
ADJUSTABLE PARTITIONS

Perlick Bottle Coolers are provided with adjustable partitions which will accommodate various bottle sizes.

- Remove bottles from their cases before placing in cooler to ensure proper air flow.

INSTALLING BACKSPLASH (optional)

- Position bottle cooler backsplash on top as shown. Use holes in backsplash as a guide to mark and drill $\frac{1}{8}$ " diameter holes into cabinet top.
- Place adjoining equipment to side(s) of bottle cooler and fasten using $\frac{1}{2}$ " x #10 x sheet metal screws and #10 speed nut.

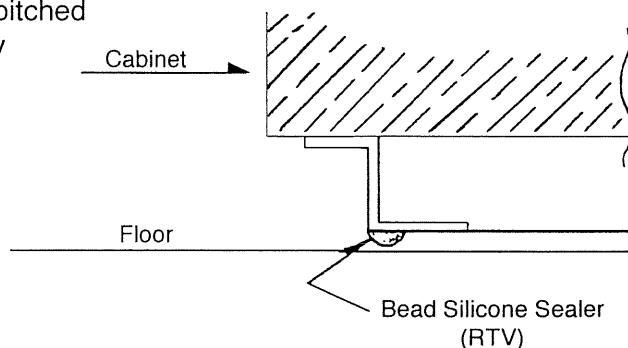


PLACING the CABINET

To assure maximum performance, fresh air must be allowed to circulate through the machinery compartment. It is important to allow at least two inches of clearance at the back or left end of the cabinet. Do not place anything on the top or in front of the cabinet that would obstruct air flow at these grilles.

Cabinet should either be leveled or pitched slightly toward the drain to allow any accumulated water to flow out.

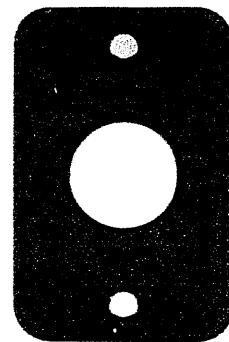
For sanitation purposes, it may be necessary to seal the base of the cabinet to the floor. This can be done by laying a bead of silicone sealant along the base of the cabinet as shown by the figure to the right.



TEMPERATURE CONTROL

An adjustable temperature control is located inside the bottle cooler on the evaporator fan panel assembly. It is factory set at "Normal" approximately 38° F. Make adjustments as shown to attain the desired temperature.

Note: A temperature setting that is too low will not allow enough condensing unit "off" time to maintain a frost-free coil.



CLEANING

Condenser

The condenser (located behind the front grille) should be inspected every 30 days, and cleaned, if necessary. Failure to keep the condenser clean will cause a loss in condensing unit efficiency.

Doors

Doors should be periodically removed from the cabinet and inspected for a buildup of foreign materials, such as syrups, beer, etc. Buildups on the underside of the doors, along with the cabinet breaker strips on which they ride, will cause them to bind, and therefore, not function as designed. If dirty, these surfaces should be cleaned with a silicone lubricating material. Aerosol silicone sprays can be obtained locally at most department or automotive stores.

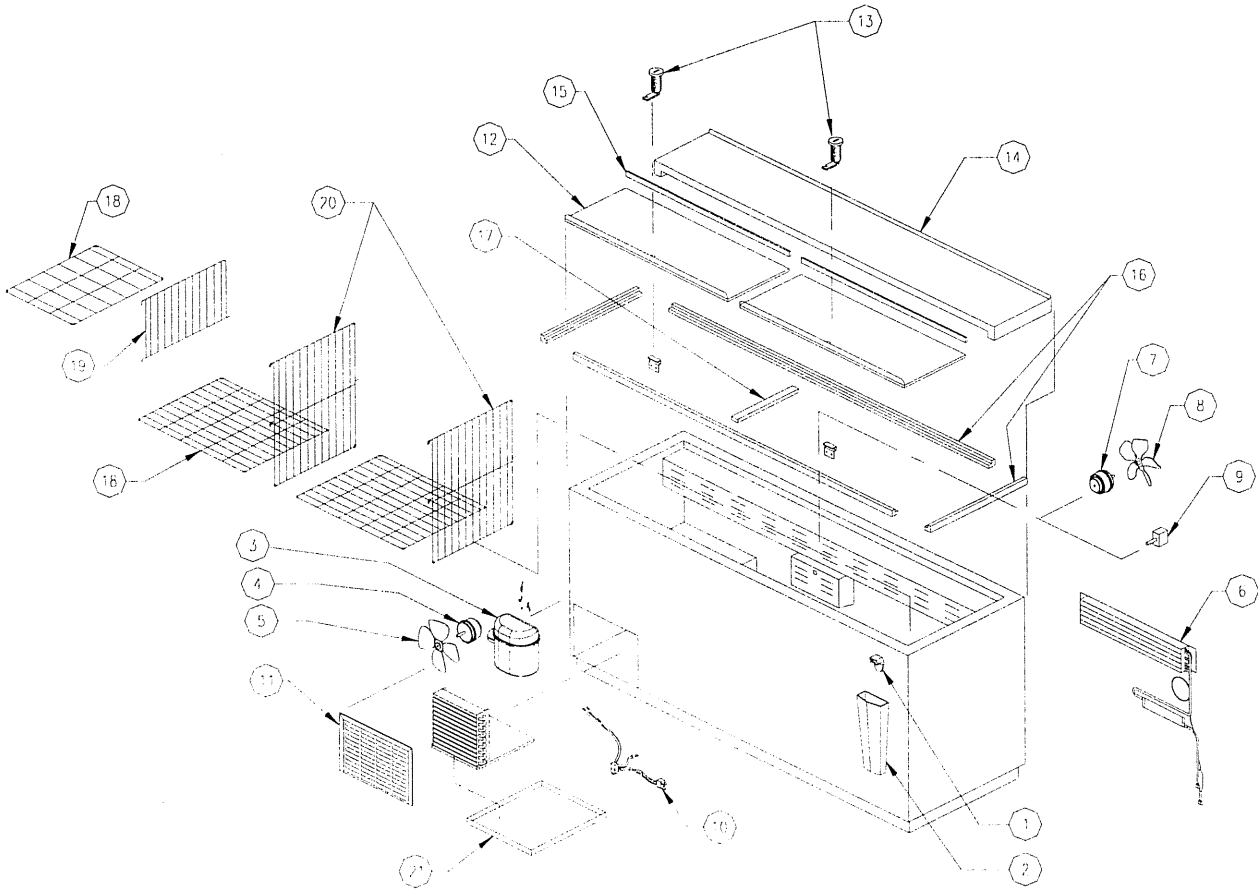
To remove doors: With door closed, lift it upward by its handle and slide forward until door clears the cabinet top. Use the reverse procedure to reinstall the doors.

Cabinet

Use a damp cloth with a mild detergent and water to clean the inside and outside of the cabinet. Dry thoroughly. Do not allow cleaning agents or large amounts of water to go down the drain. Use an acceptable stainless steel polish to clean all stainless steel surfaces.

REPLACEMENT PARTS

FLAT TOP BOTTLE COOLERS



Item No.	Model No.7258	Model No.7260E	Model No.7262D	Model No.7264	Description
1	C15909	C15909	C15909	C15909	Cap Opener
2	C17332SS	C17332SS	C17332SS	C17332SS	Cap Receiver (Stainless Steel)
3	57509	57500	57498	57498	Compressor (R134a)
4	57513	57513	57513	57513	Condenser Fan Motor
5	C3150-3	C3150-3	C3150-3	C3150-3	Condenser Fan Blade
6	C30024	C29859	C29862	C30282	Fin Coil w/liquid & suction line (R134a)
7	C15239A	C27961	C27961	C27961	Evaporator Fan Motor
8	C22370	C6147	C6147	C6147	Evaporator Fan Blade
9	C12827PG	C27962	C27962	C27962	Temperature Control
10	C25651A1	C25575A1	C25576A1	C25916A1	Wiring Harness
11	C29961-1P	C29839-1P	C29839-1P	C29839-1P	Front Grille - Painted
11	C29961-2SS	C29839-2SS	C29839-2SS	C29839-2SS	Front Grille - Stainless
12	62727-1	62727-2	62727-3	62727-4	Door Assembly
13	C5950-2R	C5950R	C5950R	C5950R	Door Lock
14	C29974	C29822	C29819	C30824	Back Top Assembly
15	C27941-3	C27941-1	C27941-2	C27941-4	Top Wiper Gasket
16	C31703A	C31705A	C31706A	C31707A	Breaker Strip Kit
17	N/A	C25539	C25539	C25539	Center Mulsion Assembly
18	C31085	C31086	C31087	C31317	Set of Floor Racks
19	N/A	C29843-1	C29843-1	C29843-1	Left Partition
20	C30032-1	C29842-1	C29842-1	C29842-1	Main Partition
21	C25655	C29872	C29872	C29872	Condensate Pan
22	C29960-1G	C29871-1G	C29871-1G	C29871-1G	Rear Grille, Galvanized (not shown)
22	C29960-2SS	C29871-2SS	C29871-2SS	C29871-2SS	Rear Grille, Stainless Steel (not shown)

RECOMMENDED CLEANING AGENTS

Job	Cleaning Agent*	Comments
Routine Cleaning	Soap, ammonia, detergent	Apply with sponge or cloth. Can be used on all finishes.
Fingerprints and smears	Areal 20, Lac-O-Nu, Lumin Wash O'Cedar Cream Polish	Provides barrier film to minimize fingerprints. Can be used on all finishes.
Stubborn stains and Discolorations	Allchem Concentrated Cleaner, Samae, Twinkle, Zud Restoro, Grade F or FFF Italian Pumice, Whiting or Talc, Liquid Nu Steel, Copper's or Revere Stainless Steel Cleaner, Lumin Cleaner, Sta-Clean, Cameo Copper Cleaner, Allen Polish Highlite, Penny-Brite, Copper Brite	Rub lightly, using dry or damp cloth in the direction of polish lines on the stainless steel.

**Use of propriety names is intended only to indicate a type of cleaner and does not constitute an endorsement.
Omission of any proprietary cleaner does not imply its inadequacy. All products should be used in strict accordance
with instructions on the package.*

WIRING DIAGRAM

FLAT TOP BOTTLE COOLERS

