

# Replacement Parts – Concessionaire Dispensers

MODEL NOS.	DC2KP	DC3KP	DC4KP
<b>All Models</b>			
Left hinged door assembly	64357SLBL	64357SLBL	64357SLBL
Right hinged door assembly	64357SRBL	64357SRBL	64357SRBL
Magnetic door gasket	62085-1	62085-1	62085-1
Hinge set, left	63407L	63407L	63407L
Hinge set, right	63407R	63407R	63407R
Elbow-nylon $\frac{3}{4}$ " F.P.T. x $\frac{1}{2}$ " barb	57736-1	57736-1	57736-1
$\frac{1}{2}$ " trans vinyl beverage tubing 8.7 ft.	1390TR	1390TR	1390TR
Glass rack	C24639-1	C24639-1	C24639-1
Bulb clamp	C6634	C6634	C6634
Wiring harness	61186-1	61186-1	61186-1
Fan motor	C15239A	C15239A	C15239A
$5\frac{1}{2}$ " diameter fan blade	57699	57699	57699
Fan guard assembly	C25395	C25395	C25395
Fan motor $\frac{1}{8}$ , $\frac{1}{4}$ and $\frac{1}{8}$ h.p.	57513	57513	57513
Door locks	61259	61259	61259
Door lock	61260	61260	61260
Trim ring	57811	57811	57811
Lock bracket	57781-1	57781-1	57781-1
Waste tank assembly	62287	62287	62287
$\frac{3}{4}$ " ball valve	57793	57793	57793
$\frac{3}{4}$ " adapter male hose x F.P.T.	57800	57800	57800
Pocket pull flush handle	57775	57775	57775
Dry storage door assembly	62278	62278	62278
Door assembly	62279	62279	62279
Magnetic catch	C15381	C15381	C15381
Shelf kit	57928	57928	57928
<b>Condensing units (2 door models)</b>			
$\frac{1}{4}$ h.p. condensing unit 115 volt, 60 hz.	C22647	N/A	N/A
Condensing unit (model UF110HBX)	515301063	N/A	N/A
Compressor (model FF110HBX)	513200314	N/A	N/A
Fan Motor Assembly	215315009	N/A	N/A
Condenser coil	15352019	N/A	N/A
Terminal board	219101538	N/A	N/A
Overload protector	MRT20AGK5590	N/A	N/A
Relay	21351619	N/A	N/A
Capacitor (282-339 MFD. 155V)	13556529	N/A	N/A
Coil assembly 2 door SC BB	62210A1*	N/A	N/A
Fin coil, evaporator	C17511-1	N/A	N/A
Two-way air distributor assembly	C18942	N/A	N/A
<b>Condensing units (3 &amp; 4 door models)</b>			
$\frac{1}{3}$ h.p. condensing unit 115 volt	N/A	C22646	C22646
Condensing unit (model UF112HBX)	N/A	515301062	515301062
Compressor (model FF112HBX)	N/A	513200003	513200003
Fan Motor Assembly	N/A	215315009	215315009
Condenser coil	N/A	15352019	15352019
Terminal board	N/A	219101538	219101538
Overload protector	N/A	MRT22AFZ5590	MRT22AFZ5590
Relay	N/A	21351619	21351619
Capacitor (378-454 MFD. 115V)	N/A	13556532	13556532
Coil assembly $\frac{3}{4}$ door SC BB	N/A	62210A2*	62210A2*
Fin coil, evaporator	N/A	C17511-2	C17511-2
Shelf kit, center	N/A	57929	57929
Three-way air distributor assembly	N/A	C18943	C18943
Four-way air distributor assembly	N/A	C18944	C18944

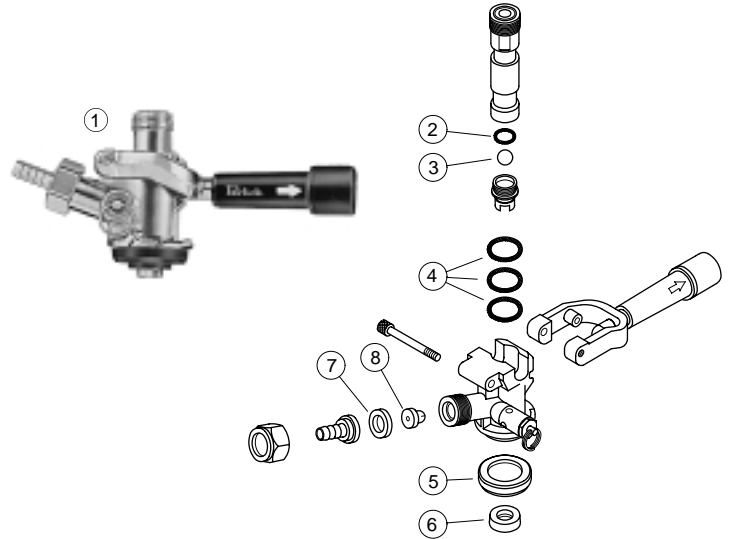


Perlick is committed to continuous improvement. Therefore, we reserve the right to change specifications without prior notice.

# Replacement Parts – Concessionaire Dispensers

## For Single Valve Keg Coupler (Series D)

Item No.	Part No.	Description
1	26000D	Single valve keg coupler
2	C14316	"O" ring
3	31080-2P	Ball check
4	31089-2P	"O" ring (3 per assembly)
5	31088-2P	Bottom seal washer
6	31087-2P	Probe washer domestic
7	157R2P	Coupling Gasket
8	23682-2P	Check valve



## Miscellaneous

Part No.	Description
157L2P	Beer line connector gasket
57F2P	CO <sub>2</sub> tank washer
1392R	Red air hose
529	Beer hose
2928D	Twin gauge CO <sub>2</sub> regulator