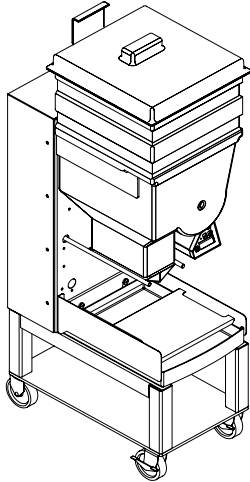




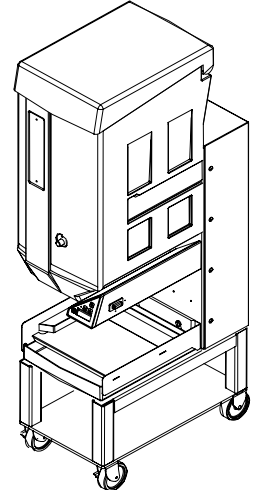
# Models: GDF14, GDF14E and GDF14EL

## Fry / Appetizer Dispenser

**Operator Manual**  
 English (Rev. E)  
 P/N 291239



**AUTOMATED EQUIPMENT LLC**  
 5140 Moundview Drive, Red Wing, MN 55066 U.S.A.  
**PHONE: 1 (800) 248-2724**  
**1 (651) 385-2273**  
**FAX: 1 (651) 385-2166**  
**SERVICE FAX: 1 (651) 385-2172**  
**For Service in the US and Canada, Call:**  
**1 (800) 248-2724**  
[http:// www.autoequipltc.com](http://www.autoequipltc.com)



**Business Hours: 8:00 AM – 5:00 PM CST**  
 After hours, your call will be handled by a pager service;  
 a Technical Support Representative will return your call.

### TABLE OF CONTENTS

<b>INTRODUCTION</b> _____	<b>3</b>
FCC STATEMENT _____	3
<b>SPECIFICATIONS</b> _____	<b>3</b>
<b>WARRANTY</b> _____	<b>4</b>
<b>REQUESTING SERVICE, ASSISTANCE, OR PARTS</b> _____	<b>5</b>
<b>INTENDED USE</b> _____	<b>6</b>
<b>SAFETY &amp; EQUIPMENT CARE</b> _____	<b>6</b>
<b>INTERNATIONAL SAFETY LABELING</b> _____	<b>7</b>
<b>EQUIPMENT CARE LABEL</b> _____	<b>8</b>
<b>ASSEMBLING THE GDF14 DISPENSER</b> _____	<b>9</b>
<b>ASSEMBLING THE GDF14E DISPENSER</b> _____	<b>10</b>
<b>ASSEMBLING THE GDF14EL DISPENSER</b> _____	<b>11</b>
<b>DAILY SET UP</b> _____	<b>12</b>
<b>DAILY CLOSING</b> _____	<b>12</b>
<b>LOADING FROZEN PRODUCT INTO HOPPER</b> _____	<b>13</b>
<b>CONTROL PANEL DISPLAY</b> _____	<b>14</b>
CONTROL PANEL DEFINITIONS _____	14
<b>GDF14 SERIES MENU STRUCTURE</b> _____	<b>15</b>
<b>NORMAL OPERATING MODE</b> _____	<b>16</b>
CHANGING THE DISPENSER WEIGHT SETTINGS _____	16
EMPTY HOPPER MODE _____	17
<b>USER MENU</b> _____	<b>18</b>
AUTO-MANUAL MODE _____	18
CALIBRATE MODE _____	19
<b>MANAGER FUNCTION MODE</b> _____	<b>20</b>
CONFIGURE PRESETS _____	20
SELECT LANGUAGE _____	21
DIAGNOSTICS _____	21
<b>TROUBLESHOOTING TABLE</b> _____	<b>22</b>
BASKET RACK ASSEMBLY GDF14 _____	23
BASKET RACK ASSEMBLY GDF14EL _____	24

## **GDF14 Series Dispensers**

The information in this manual is subject to change without notice.

**IN NO EVENT WILL AUTOMATED EQUIPMENT LLC BE LIABLE FOR TECHNICAL OR EDITORIAL OMISSIONS MADE HEREIN; NOR FOR DIRECT, SPECIAL, INCIDENTAL, OR CONSEQUENTIAL DAMAGES RESULTING FROM THE FURNISHING, PERFORMANCE, OR USE OF THIS MATERIAL.**

This manual is copyrighted with all rights reserved. Under the copyright laws, this manual may not be copied, in whole or part, without the written consent of Automated Equipment LLC.

Product names mentioned herein are for identification purposes only, and may be trademarks and/or registered trademarks of their respective companies.

# GDF14 Series Dispensers

## INTRODUCTION

The GDF14 Series Frozen Product Dispenser is a compact, semi-automated system that replaces manual basketing of Frozen Fries /Appetizers. There are two models in the Series: GDF14 and GDF14E.

The GDF14 Series Frozen Product Dispenser weighs loads of frozen product and dispenses the selected weight into the Fryer Basket each time the Dispense button is pressed, or automatically dispenses when the Auto mode is activated.

The GDF14 Dispenser's Hopper holds frozen product prior to Basket Loading. (See the Specifications for capacities. Capacity varies depending on the type and volume of the fry cut or appetizer.) A rotating Dispenser Drum inside the Hopper transfers the product onto the Accumulator Doors where a weighing system accurately weighs the frozen product.

**NOTE:** This equipment is manufactured in the U.S., therefore all hardware measurements are in English, and the metric conversions stated are approximate.

## HAZARD COMMUNICATION STANDARD (HCS)

The procedures in this manual may include the use of chemical products. These chemical products will be highlighted with boldface letters followed by the abbreviation (HCS) in the text portion of the procedure. See the HCS Manual for the appropriate Material Safety Data Sheets (MSDS).

## IMPORTANT

**This equipment is only to be installed in locations where use and maintenance is restricted to trained personnel.**

**This equipment must be placed on a horizontal surface with a tilt of less than 2 degrees.**

## FCC STATEMENT

**WARNING:** This equipment generates, uses, and can radiate radio frequency energy and, if not installed and used in accordance with the instruction manual, may cause interference to radio communications.

## SPECIFICATIONS

### Features:

- Bulk storage of frozen product:  
GDF14 - 36 lbs. / 16.3 kg  
GDF14E - 30lbs. / 13.6 kg  
GDF14EL - 30lbs. / 13.6 kg
- Manual or Automatic Dispense Modes
- Electrically driven
- Holds 2 Fryer Baskets
- Disassembles for cleaning

### Optional equipment:

- Fryer Baskets
- Side Basket Rack (holds 4 baskets)

### Electrical Requirements:

- 120 V a.c., 60 Hertz, 0.75A, US/Canada
- 95-240 V a.c., 50-60 Hertz, 40 Watts, 1Ø (single phase), International

### Other Equipment Information:

- Noise Emissions: < 70 dB(A)
- Maximum Altitude: 6000ft. (1525 meters)
- Maximum Humidity: 95% non-condensing
- Ambient Temperature: 40°- 77°F (4° - 25°C)

### Serial Number:

The information found in the serial number identification label on the back panel of the Dispenser is as follows:

*Example: s/n 14SR0006A00082*

*14S = Model GDF14*

*R = Plant*

*00 = Year of Manufacture*

*06 = Month of Manufacture*

*A = Revision Level*

*00082 = Sequence number*

### Space Requirements:

Clear floor space near fry vat at least 15 inches (38 cm) wide and 28 inches (71 cm) deep.

# GDF14 Series Dispensers

## WARRANTY

Automated Equipment LLC (hereinafter "AELLC"), warrants the purchased product to be free from manufacturing defects in material and workmanship under normal use and conditions for the period and component specified below:

<u>Components covered</u>	<u>Term</u>
Electronic Circuit Board Assemblies	1 year
Electrical and Mechanical Moving Parts	1 year
Structural frame work or enclosures	1 year
Crew removable components:	
• Crumb Tray	90 days
• Basket Rack	90 days
• Accumulator Tray	90 days
• Hopper, Hopper Lid, Diverter	90 days
• Drum	90 days
• Fryer Baskets	90 days
• Power Cord	90 days

**The Warranty period commences on the date of shipment from AELLC for the Frozen Product Dispenser and/or Dispenser Accessories (hereinafter "Product").**

EXCEPT AS OTHERWISE PROVIDED HEREIN AELLC MAKES NO OTHER WARRANTIES, EXPRESSED OR IMPLIED AND SPECIFICALLY DISCLAIMS ANY WARRANTY OF MERCHANTABILITY OR FITNESS FOR A PARTICULAR PURPOSE.

AELLC shall not be liable for any direct, indirect, consequential damages (including damages for loss of business profits, business interruption, loss of business information and the like) arising out of the use of or inability to use the Product.

THIS WARRANTY IS VOID IF THE PRODUCT IS NOT FUNCTIONING CORRECTLY DUE TO ABUSE OR NEGLIGENCE BY THE PURCHASER, ITS EMPLOYEES, AGENTS, OR OTHER REPRESENTATIVES EITHER BY BREAKING, BENDING, MISUSE, ABUSE, DROPPING, ALTERATION, IMPROPER MAINTENANCE OR ANY OTHER FORM OF NEGLIGENCE OR IMPROPER USAGE. THIS WARRANTY DOES NOT COVER DAMAGE TO THE PRODUCT CAUSED BY NATURAL CAUSES SUCH AS LIGHTNING, ELECTRICAL CURRENT FLUCTUATIONS, FLOOD, FIRE, TORNADOES, OR OTHER ACTS OF GOD. AELLC WILL INVOICE PURCHASER FOR REPAIRS MADE NECESSARY BY THE HEREIN LISTED CAUSES.

This warranty is governed by the substantive laws of Minnesota, U.S.A., without giving effect to the conflict of law provisions.

This warranty is non-transferable and applies only to the original Purchaser.

## REQUESTING SERVICE, ASSISTANCE, OR PARTS

### WARRANTY SERVICE

Warranty service must be initiated by calling AELLC's Technical Support Hot Line at 1-800-248-2724 (U.S./Canada) or 651-385-2273 to establish all warranty requests.

AELLC Technical Support personnel will determine the cause of failure and provide the appropriate resolution. If replacement parts are required, parts will be provided by AELLC or by an authorized Service Support Center/Parts Distributor.

### NON-WARRANTY SERVICE

Service is normally conducted by customer appointed personnel, or by contracting a local service agent. Service fees are in accordance with industry standards.

Replacement parts are available through local Service Support Center/Parts Distributors or direct from AELLC by calling 1-800-248-2724 (U.S./Canada) or 651-385-2273 in the event a local distributor is not available.

AELLC's Technical Support Hot Line is available for telephone assistance providing AELLC product technical support, parts and parts information, and service agent referral. Contact AELLC's Technical Support Hot Line at 1-800-248-2724 (U.S./Canada) or 651-385-2273.

Record the following information for your records:

---

Date of Installation

---

Service Agency Telephone

---

Serial Number

When repairing this unit, use only replacement parts supplied by AELLC, or supplied by an AELLC Factory Authorized Parts Distributor. Use of replacement parts other than those supplied by AELLC or by an AELLC Factory Authorized Parts Distributor will void the warranty.

All charges for parts and shipping are F.O.B. AELLC, and are subject to change without notice. Prices will be those in effect at the time of shipment.

Schwan's Technology Group, Inc. reserves the right to make suitable substitutions in materials, depending upon their availability.

### WARNING!

**Only trained and/or qualified personnel should perform service to this equipment.**

**Service functions described in this manual could cause irreversible damage to the equipment and/or injury to personnel if performed improperly.**

**If the power cord is damaged, it must be replaced by the manufacturer or its service agent or a similarly qualified person in order to avoid a hazard.**

# GDF14 Series Dispensers

## INTENDED USE

The GDF14 Series Dispenser is intended to dispense only non-meat based frozen food products.

## NOTICE:

- The Dispenser must be accessible from the rear for service.
- The Dispenser must be accessible from all sides for routine cleaning and maintenance. A minimum of 4 inches (10cm) clearance on both sides and behind the Dispenser is recommended.

## SAFETY & EQUIPMENT CARE

**Follow these guidelines during operation and repair of the GDF14 Series Frozen Product Dispenser:**

- Disconnect the Dispenser Power Cord from the wall outlet before servicing.
- If the power cord is damaged it must only be replaced by the manufacturer or its service agent, or by a similarly qualified person, in order to avoid a hazard.
- Use appropriate tools for servicing this equipment.
- Inspect the Dispenser on a regular basis to identify problems before they occur.
- Keep the Dispenser clean.
- Keep hands away from the following areas while the Dispenser is operating:
  - Accumulator Doors
  - Dispenser Drum
- Fryer baskets may be hot. Pick up by handles only.
- Do NOT spray down the Dispenser with water. The Dispenser is not sealed against jetting water; therefore contaminants and moisture may get into sensitive components.
- Do NOT roll the Dispenser to the back sink for cleaning; this will cause unnecessary wear on the Dispenser.
- Do NOT place the Dispenser in the freezer to maintain product. Always remove product from the Dispenser at the end of each day.

### **WARNING!**

Only trained and/or qualified personnel should perform service to this equipment. Service functions described in this manual could cause irreversible damage to the equipment and/or injury to personnel if performed improperly.

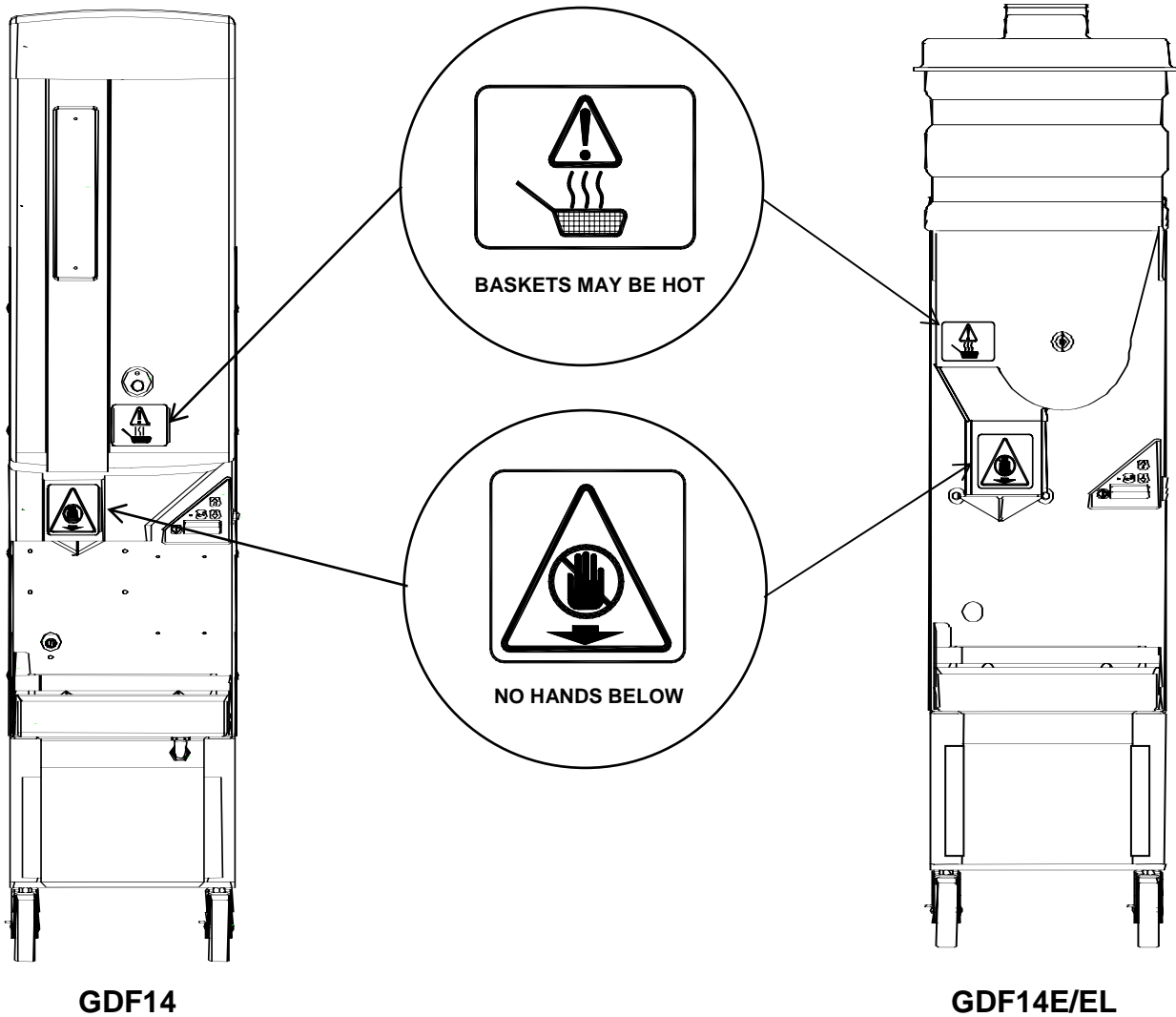
## GDF14 Series Dispensers

### INTERNATIONAL SAFETY LABELING

Safety labels are affixed to the hopper. The labels clearly indicate areas on the fry/appetizer dispenser that could be harmful to the operator.

These safety issues are:

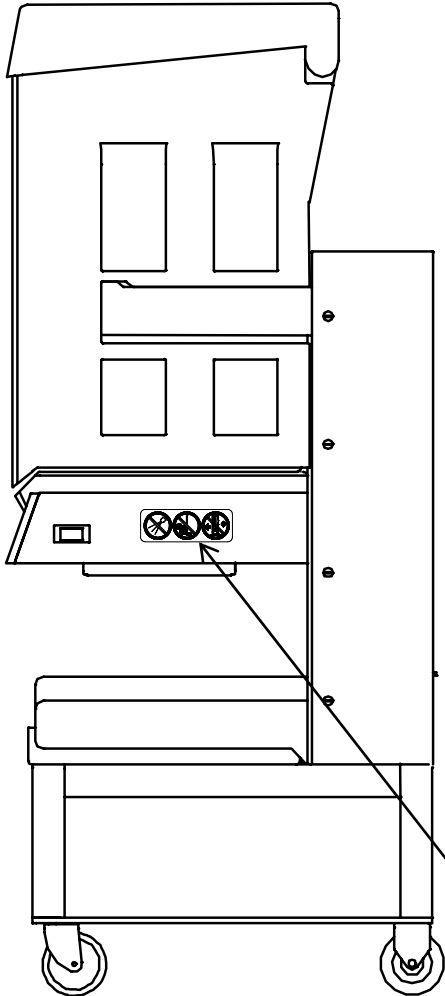
1. **BASKETS MAY BE HOT:** Always use the handle to pick up a Fry Basket.
2. **NO HANDS BELOW:** Hands should not be placed near or below the accumulator doors while the dispenser is energized.



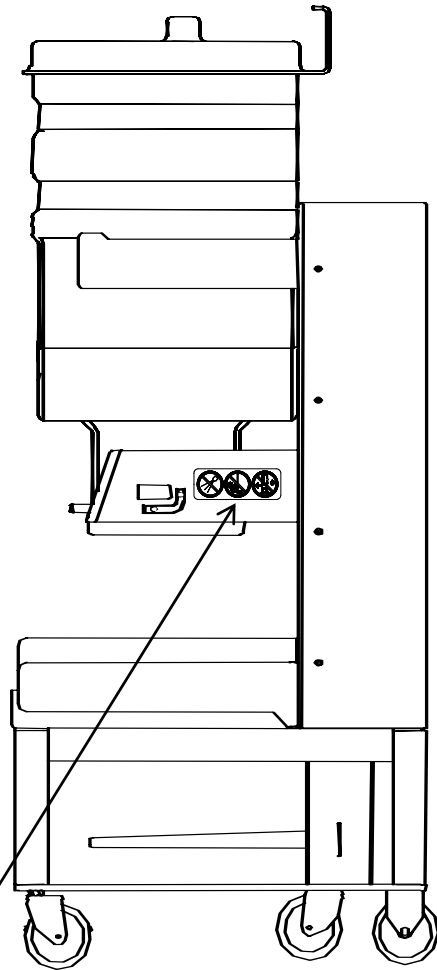
# GDF14 Series Dispensers

## EQUIPMENT CARE LABEL

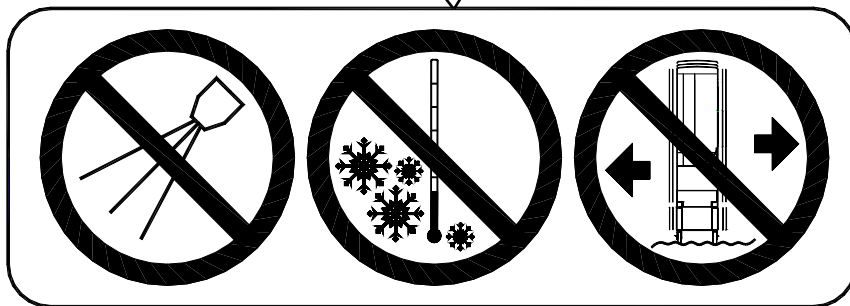
The label affixed to the side of the Controls cabinet warns against actions that may cause damage to the Dispenser. Failure to abide by these label instructions will void the warranty if the machine is damaged.



**GDF14**



**GDF14E/EL**



**DO NOT SPRAY  
DISPENSER TO  
CLEAN**

**DO NOT STORE  
DISPENSER IN  
FREEZER**

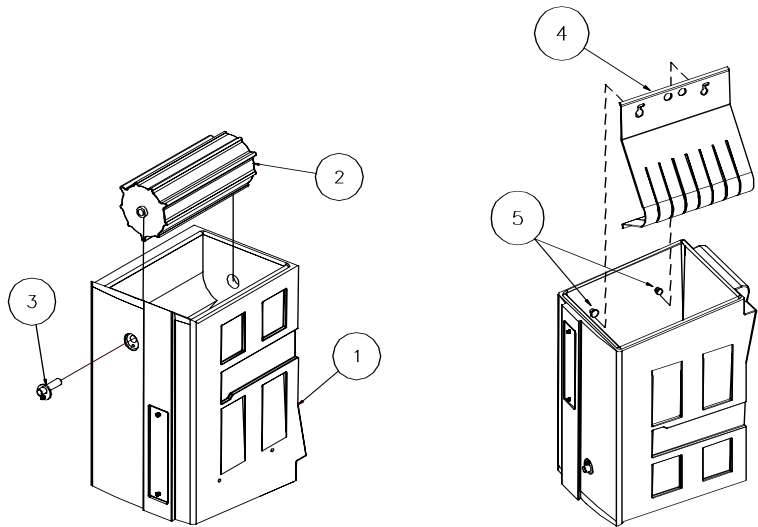
**DO NOT ROLL  
DISPENSER  
ACROSS UNEVEN  
SURFACES**



# GDF14 Series Dispensers

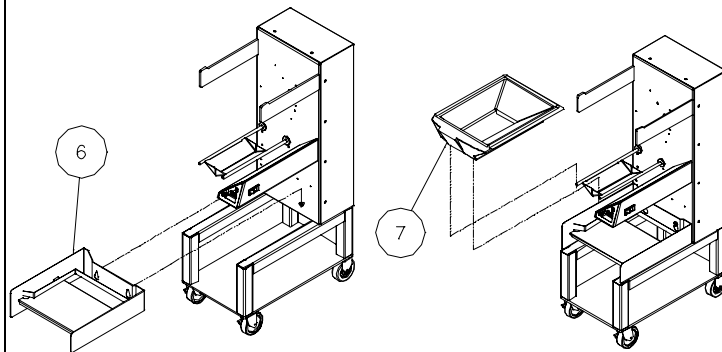
## ASSEMBLING THE GDF14 DISPENSER

1. Turn the Hopper (**Item 1**) upside down with the window facing forward. Place the Drum (**Item 2**) into the Hopper. The end of the Drum with the square hole must face the back of the hopper. The ends of the Drum fit into round indentations on the inside of the hopper. Once the Drum is in place, the Drum Pin (**Item 3**) is inserted into the hole on the front of the Hopper and the thumbscrew tightened down. Check that the Drum turns freely before continuing.
2. Turn the Hopper upright to install the Diverter (**Item 4**). The Diverter has two outer holes that have right angle slots. The round part of the outer holes fits over shoulder bolts (**Item 5**) on the inside left of the Hopper. After the Diverter has been placed on the shoulder bolts, slide it down and then to the left to fit the shoulder bolts into the right angle slot. The two inner holes on the Diverter are provided as finger grips to help guide the Diverter into the correct position.
3. Mount the Basket Rack (**Item 6**) onto the Shoulder Bolts on the Dispenser Chassis.
4. Place the Accumulator Tray (**Item 7**) onto the Accumulator Doors. The wider end/larger opening is the topside of the Tray. The Accumulator Tray has two parallel grooves to fit directly and securely on the Accumulator Door Shaft bars.
5. Grasp the front of the Hopper where indicated by the arrows to mount the Hopper to the Support Bars. Slide the Hopper onto the Hopper Support Bars aligning the Drum Motor shaft with square hole in the Dispenser Drum. It may be necessary to manually rotate the Drum to attain proper alignment between the Drum and the Drum Motor Shaft. Do this by sliding your hand under the Hopper between the Hopper and Accumulator Tray. You will feel the Drum align on the shaft as you manually rotate the drum. Once the Drum Motor Shaft and Drum are properly aligned, slide the Hopper completely onto the Dispenser Chassis. Apply gentle pressure to the Hopper to fully engage the Hopper onto the Hopper Support Bars. **CAUTION:** Do NOT force the Hopper back, damage to the Hopper or Drum could occur.
6. Slide the Crumb Tray (**Item 8**) under the Basket Rack. Install the Hopper Lid (**Item 9**).



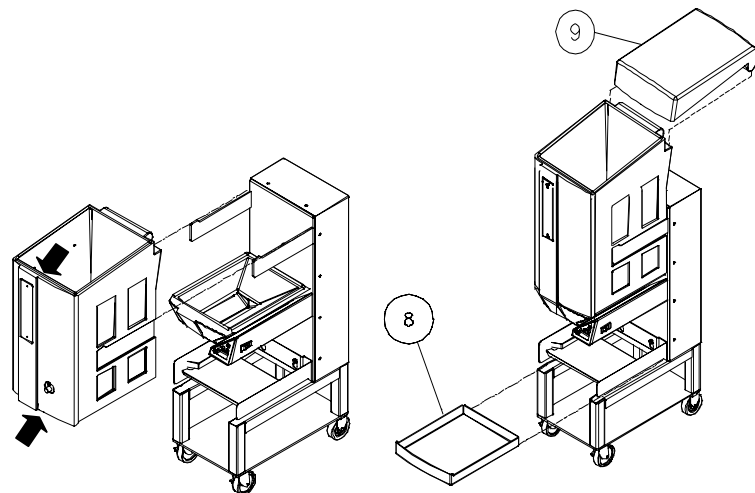
Step 1

Step 2



Step 3

Step 4



Step 5

Step 6

## GDF14 Series Dispensers

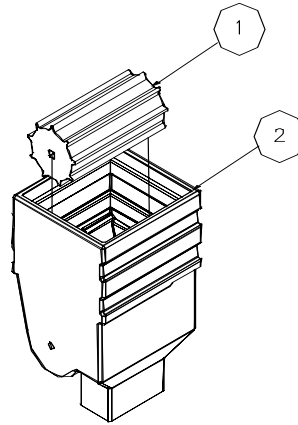
### ASSEMBLING THE GDF14E DISPENSER

1. Find the square opening in one end of the Dispenser Drum (**Item 1**). Place the Dispenser Drum in the Hopper (**Item 2**), aligning the square opening on the Dispenser Drum with the hole in the back of the Hopper.
2. Grasp the Hopper (where indicated by the arrows) so that the hole is toward the Dispenser. Align the indentations on the sides of the Hopper with the Hopper Support Bars (**Item 3**). Push the Hopper onto the Hopper Support Bars until the Drum Motor shaft touches the Dispenser Drum.

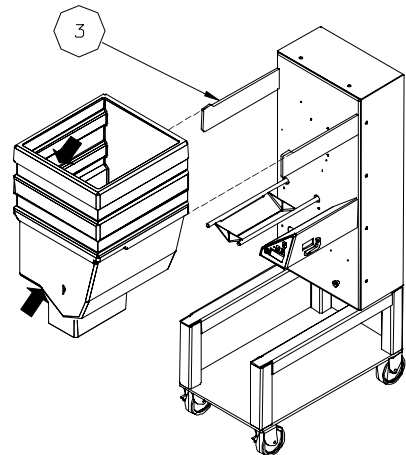
**CAUTION:** Do NOT force the Hopper back, you could damage the Hopper or Drum.

Rotate the Dispenser Drum (CLOCKWISE or COUNTER-CLOCKWISE) while applying gentle pressure to the Hopper until you can easily slide the Hopper fully onto the Hopper Support Bars

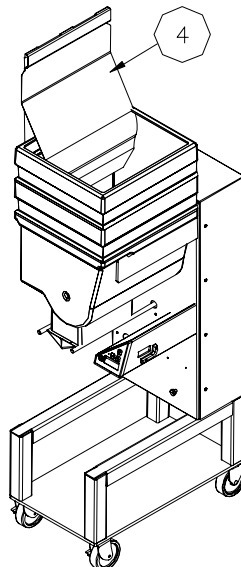
3. Place the Diverter (**Item 4**) in the Hopper. Be sure that it is hooked on the LEFT edge of the Hopper.
4. Mount the Basket Rack (**Item 5**) onto the Shoulder Bolts on the Dispenser Chassis.
5. Slide the Crumb Tray (**Item 6**) under the Basket Rack. Install the Hopper Lid (**Item 7**).



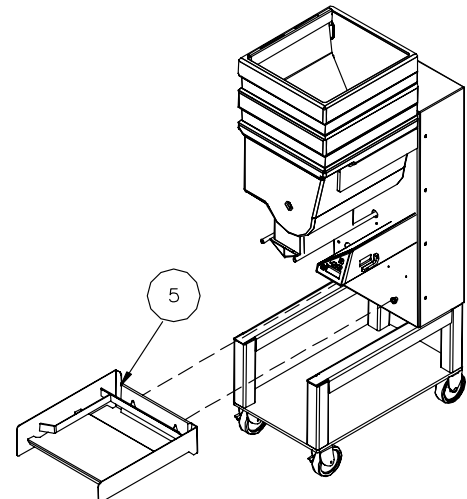
Step 1



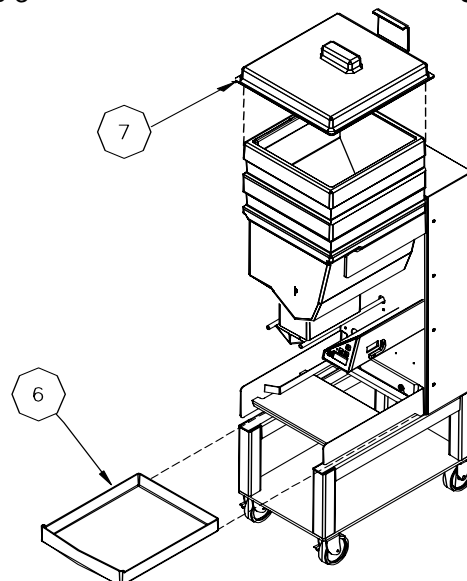
Step 2



Step 3



Step 4



Step 5

## GDF14 Series Dispensers

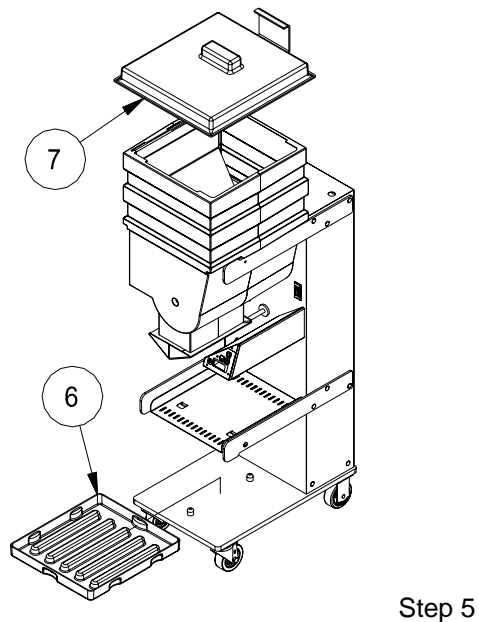
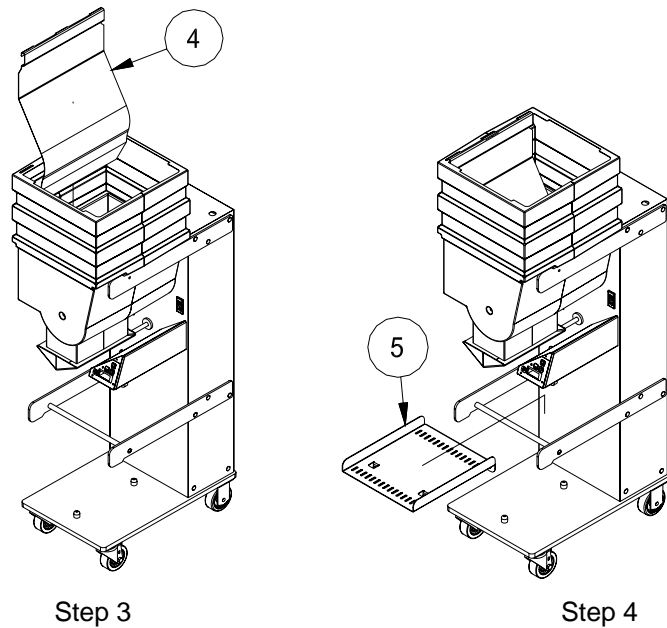
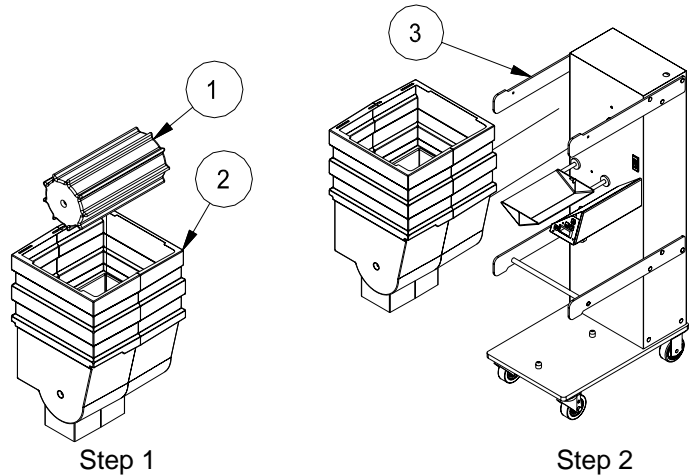
### ASSEMBLING THE GDF14EL DISPENSER

1. Find the square opening in one end of the Dispenser Drum (**Item 1**). Place the Dispenser Drum in the Hopper (**Item 2**), aligning the square opening on the Dispenser Drum with the hole in the back of the Hopper.
2. Grasp the Hopper so that the hole is toward the Dispenser. Align the indentations on the sides of the Hopper with the Hopper Support Bars (**Item 3**). Push the Hopper onto the Hopper Support Bars until the Drum Motor shaft touches the Dispenser Drum.

**CAUTION:** Do NOT force the Hopper back, you could damage the Hopper or Drum.

Rotate the Dispenser Drum (CLOCKWISE or COUNTER-CLOCKWISE) while applying gentle pressure to the Hopper until you can easily slide the Hopper fully onto the Hopper Support Bars

3. Place the Diverter (**Item 4**) in the Hopper. Be sure that it is hooked on the LEFT edge of the Hopper.
4. Mount the Basket Rack (**Item 5**) onto the Shoulder Bolts on the Dispenser Chassis.
5. Slide the Crumb Tray (**Item 6**) under the Basket Rack. Install the Hopper Lid (**Item 7**).





## GDF14 Series Dispensers

### DAILY SET UP

1. Make sure the Power Switch is OFF.
2. Assemble the Dispenser (see pages 9 - 10).
3. Plug the Power Cord into a wall outlet.
4. Turn ON the Dispenser. Depending on the previous operation, the Dispenser will be in either Normal Operating mode or Automatic Operation mode.
5. Fill a Fryer Basket by placing it under the Accumulator Doors and pressing the Dispense button. When in Auto mode the Dispenser will automatically fill the basket when it is placed under the Accumulator Doors and is detected by the Basket Sensor. The Red Indicator Light on the Control Panel turns OFF (does not illuminate) when it detects a basket in proper position. The Light illuminates when the Dispenser delivers a basket load.

### DAILY CLOSING

1. Remove all Fryer Baskets from the Dispenser.
2. If the Hopper and/or Accumulator Doors are not empty select the Empty Hopper mode using the Scroll Down  button on the Control Panel. Press the Dispense  button to empty remaining product into the waiting basket.
3. Turn the Power Switch to the OFF position.
4. Disconnect Power Cord from the electrical outlet.
5. Remove the Hopper, Lid and Drum assembly.
6. Remove the Accumulator Tray, Basket Rack and Crumb Tray.
7. Take removable components from the Dispenser to the washing area. Wash them in a hot solution of sanitizing solution and water, rinse in clear water and allow to air dry (wash /rinse/sanitize).

**WARNING:** The Drum, Hopper, Hopper Lid, Accumulator Tray, Crumb Tray and Fry Diverter are NOT dishwasher safe.

8. Wipe down the Dispenser with a hot solution of sanitizing solution and water. Repeat wipe-down with clear water and allow to air dry.

**WARNING:** Do NOT spray down the Dispenser with water. The Dispenser does not provide an airtight seal. Contaminants and moisture may get into sensitive components.

9. Move the Dispenser out from the wall to clean behind and underneath it.

**WARNING:** Do NOT move the Dispenser to the back sink for cleaning, this will cause unnecessary wear on the Dispenser.

10. Dry all parts and reassemble the Dispenser.
11. Roll the Dispenser back into place.

## GDF14 Series Dispensers

### LOADING FROZEN PRODUCT INTO HOPPER

To achieve optimum yield and the most consistent basket loads, it is important to use the following technique for loading frozen product into the Hopper. (See Specifications on page 3 for Hopper capacities. Capacity varies depending on the type and volume of the fry cut or appetizer.)

For each bag or box of frozen product:

1. Remove the bag or box of product from the case. Be careful not to crush the product.
2. Open the top of the bag or box completely. If your supplier uses bags, make sure the bag top is fully open. If it is partially open, the product may be retained by the bag.
3. Hold the opened end of the box or bag closed with your hand and lay the opened end of the bag or box into the bottom of the Hopper against the wall opposite the Diverter.
4. Release the opened end of the bag or box.
5. Empty the bag or box into the hopper by pulling it evenly toward the Diverter. When adding multiple bags of fries, alternate the placement of the bag or box in the hopper opposite of the previous bag or box. The second bag of product should be emptied into the Hopper with the opening **toward** the Diverter, pulling it evenly toward the Hopper Wall opposite the Diverter, leaving a uniform layer of product.

Repeat steps 1 through 5 until the Hopper is full.

**NOTE:** Do NOT fill the Hopper past the top.

**NOTE:** This criss-cross loading method assures an even distribution of varying length product in the Hopper and the Baskets.

**NOTE:** To reduce product breakage, do NOT shake or drop product from the bag or box into the Hopper.

6. Close the Lid on the Hopper.



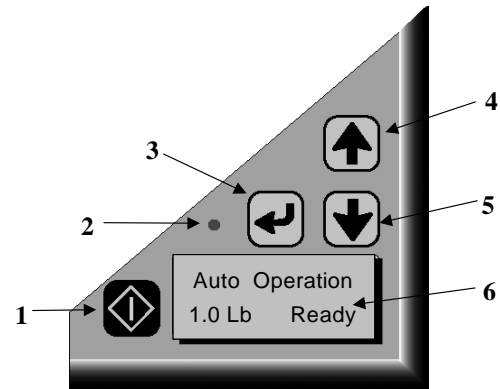
### **PINCH HAZARD**

Personnel should take care not to place hands or fingers near the Drum, inside the Hopper, while this machine is in operation. Hands or fingers could be pinched between the Drum and the Hopper as the Drum turns.

## GDF14 Series Dispensers

### CONTROL PANEL DISPLAY

Item	Description
1	Dispense/Reset button
2	Indicator Light
3	Menu/Enter button
4	Scroll Up button
5	Scroll Down button
6	Display Screen
7	Mode
8	Selected Weight
9	Status: Accumulator Doors are filling
10	Status: Ready to Dispense



### CONTROL PANEL DEFINITIONS

DISPENSE/RESET BUTTON: 

- Press to dispense a load of Product.
- Press to reset an Empty Hopper condition or a System Error.
- Press to return to the Default/Main Display at any time.

INDICATOR LIGHT:

- In Auto mode, turns OFF when the Basket Sensor detects a Basket. Light illuminates again after Accumulator dispenses load.
- Flashes fast when a System Error occurs, flashes slow when the Hopper is empty.

MENU/ENTER BUTTON: 

- Press and hold to open a Menu mode.
  - Press to enter a Menu Option.
- NOTE:** Once in the Menu mode, if no further changes are made, the Control Panel will return to the Normal Operating mode after 10 seconds.

SCROLL UP BUTTON: 

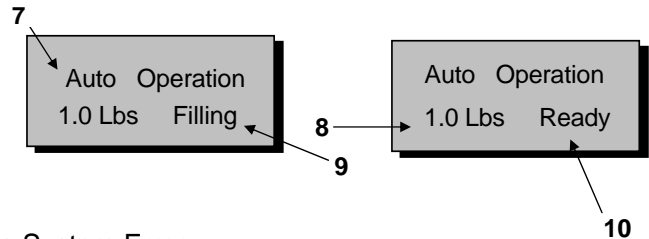
- Press to increase weight setting in the Normal Operating mode display: *Manual or Auto*.
- Press to change a Menu parameter in the Menu mode.
- Press to select a Menu function.

SCROLL DOWN BUTTON: 

- Press to decrease weight setting in the Normal Operating mode display: *Manual or Auto*.
- Press to change a Menu parameter in the Menu mode.
- Press to select a Menu function.
- Press to select Empty Hopper.

DISPLAY: (*Illustrated above*)






- Mode:
  - Manual Operation: Dispense button must be pressed to fill a Basket (default).
  - Auto Operation: Dispenser will automatically fill a Basket when the Basket Sensor detects a basket and the Selected Weight has been met.
- Status:
  - Filling: Dispenser is filling the Accumulator Doors to the Selected Weight.
  - Ready: Accumulator Doors are ready to dispense the Selected Weight.
  - Empty: The Hopper is Empty or product is not being weighed properly (bridging).
  - Disable: Weighing has been turned off.
- Selected Weight: The amount of product the Dispenser is programmed to weigh.



# GDF14 Series Dispensers

## GDF14 Series MENU STRUCTURE

### Normal Operating Mode

- Increase / Decrease Weight Setting, and Select Empty Hopper.  
- Push To Dispense 
- Empty Hopper
  - Press the  button to activate Drum rotation and open Accumulator Doors; continue to press button until Hopper is empty.
  - Press the Scroll Up  button to selected weight.

### Menu Mode

- Select Auto/Man Operation
  - Manual
  - Auto
- Calibrate
  - “Zeroing scale”
  - “Place 1.00 lbs./0.50 kg.”  
*(Position weights precisely, front to back, on the center of the Accumulator Doors.)*
  - “Place 2.00 lbs./1.00 kg.”  
*(Add additional 1.00 lbs/0.50 kg to total 2.00 lbs/1.00 kg.)*
  - “Remove Weights”  
*(Remove all weight from the accumulator doors.)*  
Dispenser automatically returns to Normal Operating mode.
- Manager Function
  - Configure Preset  
*(Customize weight settings by 0.10 lb/0.05 kg increments.)*
  - Select Language  
*(Scroll to enter the desired language.)*
  - Diagnostics  
*This set of functions is intended for use by trained service personnel only.*
    - Software Version
    - Disable Weighing
    - Error Counts
    - Clear Errors
    - Accumulator
    - Weighing System
    - Sensor/ Power
    - Weighing Values
    - Exercise Mode
    - Restore Defaults

## GDF14 Series Dispensers

### NORMAL OPERATING MODE

When the Dispenser is turned ON it will automatically be in the Normal Operating mode. (See Illustration on page15)

It will be in either Manual or Auto mode. Initially (if there is no product on the accumulator doors), the Drum motor will begin to turn and the Display will indicate that the Dispenser is FILLING the Accumulator Doors.

If the Weight Sensor does not detect product on the Accumulator Doors to meet the weight setting after 40 seconds, the Dispenser will assume there is a problem with the product (bridging) in the Hopper or that the Hopper is empty. The Indicator Light will begin to blink slowly (1 blink per second) and the Display will indicate that the Hopper is Empty. To correct this condition, check the Hopper for product bridging (there is a sufficient amount of product in the Hopper, but fries or other food product have clumped together, forming a bridge, so that the product is not falling onto the Drum or Accumulator Doors) or refill it and then press the Dispense/Reset button.

**NOTE:** The drum will automatically start turning after 90 seconds if the dispense/Reset button is not pressed.)



After sufficient product is dispensed on to the Accumulator Doors to satisfy the Weight Sensor, the Display will indicate that the Dispenser is Ready to deliver the product into a Fryer Basket.

Fill a Fryer Basket by placing it under the Accumulator Doors. In the Auto mode, product is automatically delivered into a Fryer Basket when the Basket is placed under the Accumulator Doors. Slide the Basket back toward the Dispenser Chassis. The Indicator Light will go OFF when the Basket is detected by the Optical Basket Sensor.

After half a second, the Accumulator Doors will cycle to deliver the product into the Basket. The Indicator Light will then come back on. In the Manual or Auto mode, pressing the Dispense/Reset button will also deliver the product into the Basket.

### CHANGING THE DISPENSER WEIGHT SETTINGS

While in the Normal Operating mode the operator can easily change the Dispenser weight settings.

Press the Scroll Up  button or Scroll Down  button to select the preset weight settings. These values will be shown on the display screen. The preset default weight selections are 0.50 lb/0.25 kg, 1.00 lb/0.50 kg, 1.50 lbs/0.75 kg and possibly 2.00 lbs/1.00 kg. The basket weight can be adjusted by 0.10 lb/.05 kg increments.

If the new weight selection is increased from the previous selection, the Drum will turn to achieve the new increased weight before delivering a basket load.

If the new weight selection is decreased from the previous selection, the previous (higher) weight is already “waiting” on the Accumulator Doors. The “waiting” amount must be dispensed into a basket. After delivery, the Dispenser will dispense the newly selected weight.

**Auto Operation**  
**1.00 lbs Filling**

**Auto Operation**  
**1.00 lbs Empty**


**Auto Operation**  
**1.00 lbs Ready**

**Auto Operation**  
**1.50 lbs Ready**





## GDF14 Series Dispensers

### EMPTY HOPPER MODE

Press the Scroll Down  button to access the Empty Hopper function.

**NOTE:** Be sure to have an empty basket under the Accumulator Doors before continuing this procedure.






Press the Dispense/Reset  button and hold to activate the Drum rotation and open the Accumulator Doors to empty the Hopper. Continue holding the button until the Hopper is empty of all product. The button can be released and pressed repeatedly until the Hopper is empty.

Press the Scroll Up  button to return to desired weight. The Dispenser will revert to the previously selected Auto or Manual mode operation.

# GDF14 Series Dispensers

## USER MENU

---






1. Press and hold the Menu/Enter  button and, at the same time, press the Scroll Down  button to access the Menu mode.
  2. Scroll through the available Menus by pressing the Scroll Up /Down   buttons.  
**NOTE:** The available Menus (Auto-Manual, Calibrate, and Manager Functions) will blink until an option is selected. Once in the Menu mode, if no further changes are made, the Control Panel will return to the Normal Operating mode after 10 seconds.
  3. Once the desired menu is visible on the display screen, press the Menu/Enter  button to enter the desired function.
- 


### MENU MODE PROGRAMS


- Auto – Manual Mode
- Calibrate Mode
- Manager Function Mode

## AUTO-MANUAL MODE


Use the following procedure to program the Dispenser for Auto or Manual Mode:

1. Press and hold the Menu/Enter  button and, at the same time, press the Scroll Down  button to access the MENU mode.
2. Press the Menu/Enter  button once to enter the Auto/Man mode.
3. Use the Scroll Up  button or the Scroll Down  button to change between "Auto" and "Manual".

**NOTE:** In the Manual mode the Dispense/Reset  button must be pressed to deliver a basket load. In the Auto mode, automatic delivery occurs when the Basket Sensor detects a basket in proper position under the Accumulator Doors.

4. Press the Menu/Enter  button to set the desired selection. Doing so will return the Dispenser to the Normal Operating mode. Depending on your selection, the Dispenser is ready to fill baskets manually or automatically.

OR

Press the Dispense/Reset  button to return the Dispenser to the Normal Operating mode without any changes in programming.

Select Auto/Man  
Manual

Auto Operation  
1.00 lbs    Filling





## GDF14 Series Dispensers

### CALIBRATE MODE

This mode is used to calibrate the Dispenser weighing system.

**Note:** Remove the Hopper and any product from the Accumulator Doors prior to performing this procedure. **DO NOT remove the Accumulator Tray on the GDF14.**

Program the Dispenser for the CALIBRATE mode using the following procedure:

1. Restore defaults. (This function is accessed via the Diagnostics Mode. (See pages 15, 21-23).
2. Select Language (see Select Language, page 21).
3. Press and hold the Menu/Enter  button and, at the same time, press the Scroll Down  button to access the MENU mode.
4. Scroll through the MENU by pressing the Scroll Down  button until "Calibrate" is displayed.
5. Press the Menu/Enter  button once to enter the Calibrate mode. This will begin the calibration process and instructions will be prompted on the display screen.
6. The message "ZEROING SCALE" will appear on the display screen. The Accumulator Doors will open and close.
7. The Dispenser will automatically advance to the "PLACE 1.00 LB" (or "0.50 kg" if in the metric mode) prompt. At this point the operator is to place a 1.00 lb./0.50 kg weight on the Accumulator Doors. **NOTE:** Make sure the weight is placed in the center of the Accumulator Doors, front to back.
8. The Dispenser will advance to the "PLACE 2.00 LB" (or "1.00 kg" if in the metric mode) prompt. At this point the operator is to place an additional 1.00 lbs./0.50 kg of weight on the Accumulator Doors, for a total of 2.00 lbs./1.00 kg. **NOTE:** Make sure the weight is placed in the center of the Accumulator Doors, front to back.
9. After the calibration weight is detected, the Dispenser will prompt the operator to "REMOVE WEIGHT". Remove all weight from the Accumulator Doors. The Dispenser will automatically return to the Normal Operating mode.
10. Turn Dispenser power OFF for 15 seconds. Complete assembly and resume operation.

Calibrate  
1.00 lbs Ready

Calibrate  
Zeroing Scale

Calibrate  
Place 1.00 lb

Calibrate  
Place 2.00 lb

Calibrate  
Remove Weight

#### SERVICE NOTE













Calibration must be performed anytime a controller pcb, e-prom or NCWS component is replaced.


**MANAGER FUNCTION MODE**

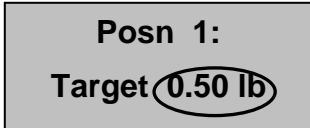
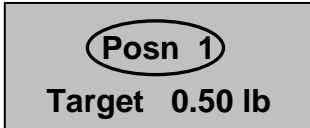
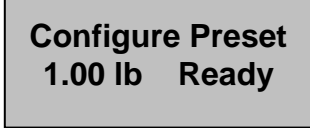
**CONFIGURE PRESETS**

This mode is used to adjust the preset weight values for use in the Normal Operating mode by the Dispenser operator functions (see page 16).

Program the Dispenser for the CONFIGURE PRESETS using the following procedure:

1. Press and hold the Menu/Enter  button and, at the same time, press the Scroll Down  button to access the MENU mode.
2. Scroll through the MENU by pressing the Scroll Down  button until "Manager Function" is displayed.
3. Press the Menu/Enter  button once to enter the Manager Function mode.  
**NOTE:** Each Menu description will blink until it is entered.  
(Press the Menu/Enter  button once to access the Configure Preset program. Pressing the Menu/Enter button will start the Configure Presets process and instructions will be prompted by the display.)
4. The Display shows that the weight in position 1 (POSN 1) is set at 0.50 lb (or 0.25 kg if in the metric mode). The number 1 will be flashing.
5. Use the Scroll Up  button or Scroll Down  button to observe the settings on positions 2, 3 and possibly 4.
6. To change position target weight, press  to enter the weight setting function. Notice the weight setting will now begin to flash.
7. Press the Scroll Up  button or Scroll Down  button to increase or decrease the setting in 0.10 lb/.05 kg increments. One press of either scroll button equals 0.10 lb/.05 kg increments.
8. Once the new weight is selected, pressing the  button will set the new value into memory. The Position number will resume flashing.
9. Repeat steps 6 through 9 until all settings are correct.
10. Press the Dispense/Reset  button to return to the Normal Operating mode.











**NOTE:** To exit Configure Presets without making or saving changes, press Dispense/Reset  button.



## GDF14 Series Dispensers

### SELECT LANGUAGE

This mode is used to select the language used on the Display Panel. Select the preferred display language using the following procedure:

1. Press and hold the Menu/Enter  button and, at the same time, press the Scroll Down  button to access the MENU mode.
2. Scroll through the MENUS by pressing the Scroll Down  button until "Manager Function" is displayed.
3. Press the Menu/Enter  button once to enter the Manager Function mode.  
**NOTE:** Each Menu description will blink until it is entered.
4. Scroll by pressing the Scroll Down  button until "Select Language" is displayed.
5. Press the Menu/Enter  button to enter the Select Language mode.
6. Press the Scroll Up  or Scroll Down  button to choose a language.
7. Once the desired language is displayed on the display screen, press the Menu/Enter  button to set the language into memory.
8. Press the Dispense/Reset  button to return to the Normal Operating mode.











Select Language  
1.00 lb Ready

Select Language  
English

### DIAGNOSTICS

This mode is used to select the Diagnostic function, and should be used by trained personnel only. Select the preferred Diagnostic function using the following procedure:

**NOTE:** See Pages **Error! Bookmark not defined.** and **Error! Bookmark not defined.** for a list of functions available in the Diagnostics mode

1. Press and hold the Menu/Enter  button and, at the same time, press the Scroll Down  button to access the MENU mode.
2. Scroll through the MENUS by pressing the Scroll Down  button until "Manager Function" is displayed.
3. Press the Menu/Enter  button once to enter the Manager Function mode.  
**NOTE:** Each Menu description will blink until it is entered.
4. Scroll by pressing the Scroll Down  button until "Diagnostics" is displayed.
5. Press the Menu/Enter  button to enter the Diagnostics mode.
6. Press the Scroll Up  or Scroll Down  button to choose a Diagnostic function.
7. Once the desired Diagnostic function is displayed on the display screen, press the Menu/Enter  button to set the Diagnostic function into memory.
8. Press the Dispense/Reset  button to return to the Normal Operating mode.

Diagnostics  
1.00 lb Ready

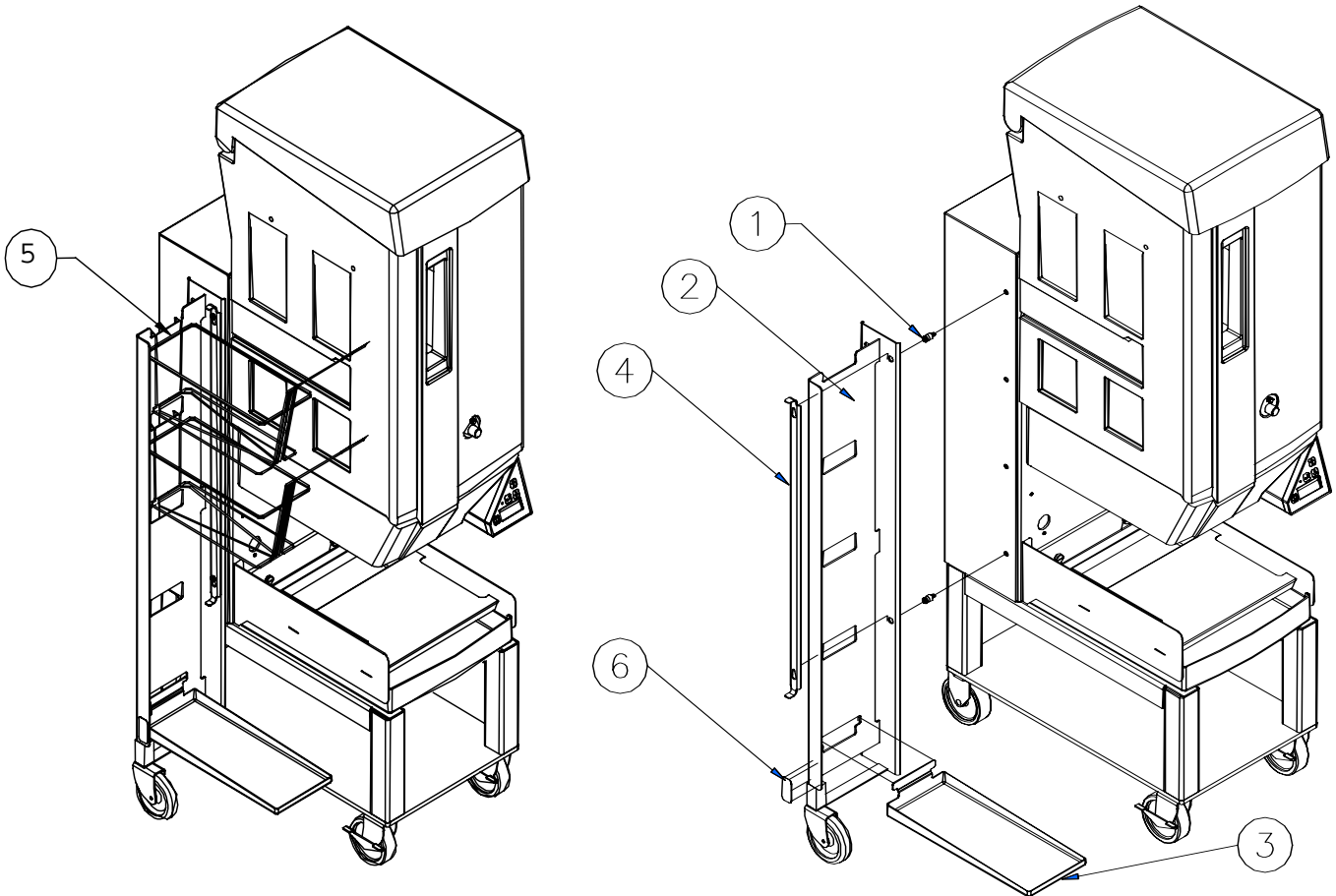
## GDF14 Series Dispensers

### TROUBLESHOOTING TABLE

PROBLEM	PROBABLE CAUSE	CORRECTIVE ACTION
Display is not functioning, no indicator lights are on.	Electrical outlet malfunction.	Check the electrical outlet and associated line circuit breaker.
	Power cord not connected	Check power cord at electrical outlet and Dispenser inlet.
	ON / OFF Switch has failed	Check ON / OFF switch function
Display not functioning, but dispenser operates normally and indicator lights are on.	Control panel malfunction	Cycle the power. If problem still exists open the cover and ensure the ribbon cable is connected correctly.
Control Panel Lamp flashing slowly (about one flash per second). Display indicates EMPTY	Hopper is empty	Fill the Hopper with food product and press the Dispense button.
	Food product has formed a "bridge" over the drum.	Remove the Hopper Lid and redistribute the food product inside. Press the Dispense button.
	Hopper / Drum is not installed properly.	Remove the Hopper Lid and Diverter. Turn the Dispenser Drum, while applying pressure and slide it fully onto the shaft. Re-install the Diverter and Hopper Lid.
	Weighing system malfunction	Verify Weight Sensor calibration (see page 19).
Basket loads are consistently light or heavy.	The Hopper is touching the Accumulator Tray.	Re-assemble the Hopper. No objects, other than food product, may touch the Accumulator Tray.
	Incorrect Diverter installation.	Verify proper Diverter installation and position.
	Shaft Collar touching the Chassis.	Position the Shaft Collars properly.
	No Drum in the Hopper.	Install the Drum in the Hopper.
	The weighing system has malfunctioned.	Recalibrate; follow the procedure in the manual. (Ensure the calibration is done with the Accumulator Tray in place.) Verify weighing values (see page 19).
Dispenser Drum is not rotating	The Accumulator Doors are full.	The Dispenser Drum will rotate only when the Hopper accumulator requires more food product.
	Hopper is empty (Panel Light is flashing slowly - Display indicates EMPTY).	Fill the Hopper with food product and press the Dispense/Reset button.
	Food product has formed a "bridge" over the drum (Panel Light is flashing slowly - Display indicates EMPTY).	Remove the Hopper Lid and redistribute the food product inside. Then press the Dispense/Reset button.
	Hopper / Drum is not installed properly.	Remove the Hopper Lid and Diverter. Turn the Dispenser Drum while applying pressure to the hopper and slide the drum fully onto the shaft. Reinstall the Diverter and Hopper Lid.
	The Hopper is touching the Accumulator Tray.	Re-assemble the Hopper. No objects, other than food product, may touch the Accumulator Tray.
	Basket Load targets are not set properly.	Verify proper target values. Adjust if necessary (refer to section on adjusting basket loads).
	The Diverter fell inside the Hopper.	Install the Diverter correctly.
Does not dispense in AUTO mode	The Sensor does not detect the Basket.	Remove the Basket and reinsert it in the proper position.
	The Sensor needs adjustment.	Check and adjust the Sensor.
Accumulator Doors do not cycle	Dispense button not functioning properly	Verify switch wiring and switch function. Repair the wiring or replace Control Panel.
	Accumulator Motion Error #1	Use the Accumulator diagnostic to determine failure.

## GDF14 Series Dispensers

### BASKET RACK ASSEMBLY GDF14 (OPTIONAL)



**For a complete Basket Rack Assembly, order part no. 291041. Fry Baskets are not included in Assembly. (See Item 5 below).**

BASKET RACK REPLACEMENT PARTS		
ITEM	DESCRIPTION	PART NUMBER
1	Basket Rack Mounting Screw	293433
2	Basket Rack Kit, Side Mount	291064
3	Drip Tray Only	291047
4	Locking Plate Only	291048
5	Custom Fry Basket (Recommend quantity of 6 per dispenser)	291050
6	NSF Certification Label	291096
-	Assembly Instructions, Side Mount Basket Rack	291065

**NOTES:**

- The information shown above applies to both the GDF14 and the GDF14E.
- Baskets are NOT included in standard Dispenser package.

## GDF14 Series Dispensers

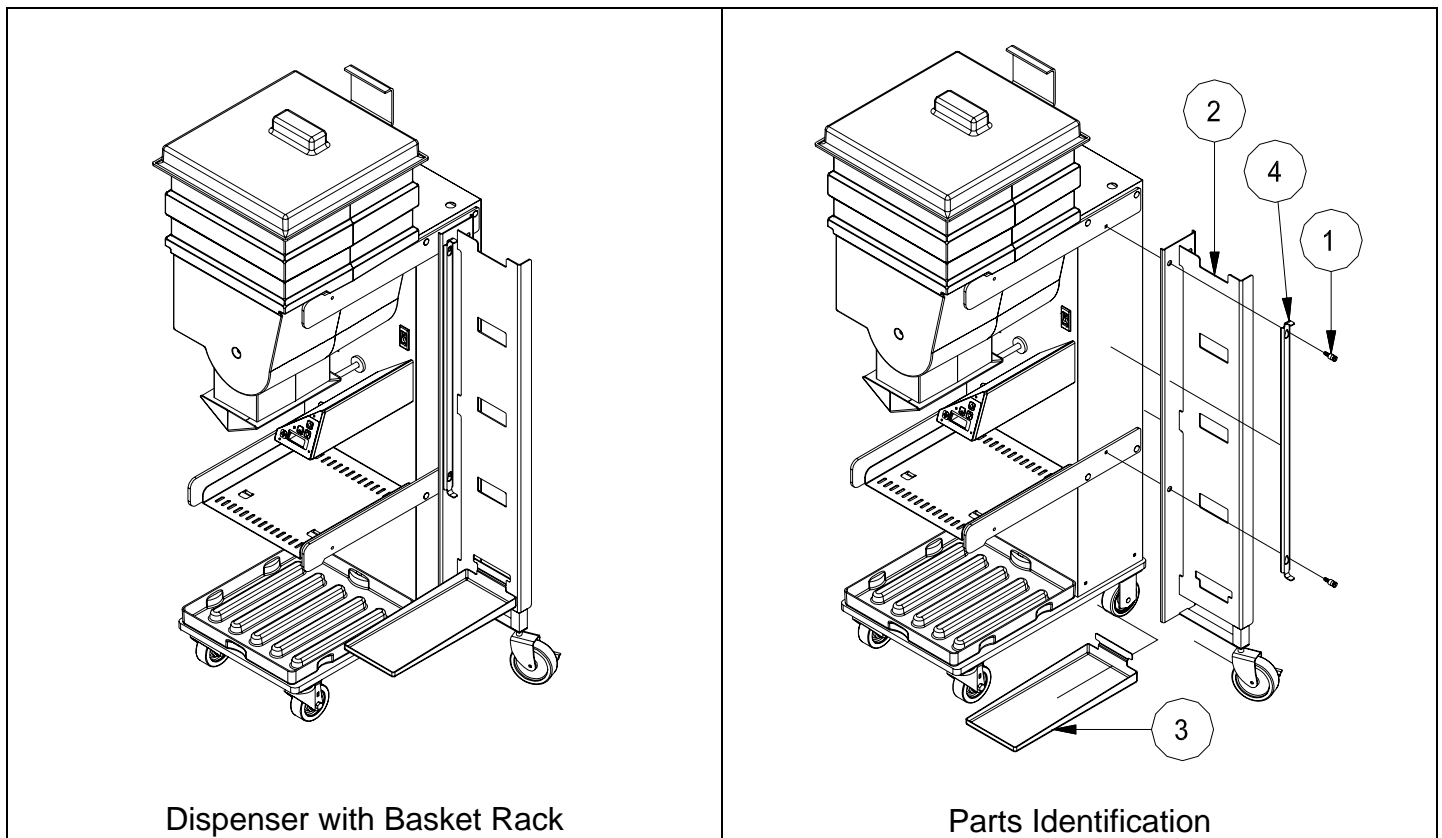
### BASKET RACK ASSEMBLY GDF14EL

(OPTIONAL)

For a complete Basket Rack Assembly, order part no. 291041. Fry Baskets are not included in Assembly. (See Item 5 below).

BASKET RACK REPLACEMENT PARTS		
ITEM	DESCRIPTION	PART NUMBER
1	Basket Rack Mounting Screw	293433
2	Basket Rack Kit, Side Mount	291064
3	Drip Tray Only	291047
4	Locking Plate Only	291048
5 not shown	Custom Fry Basket (Recommend quantity of 6 per dispenser)	291050
-	Assembly Instructions, Side Mount Basket Rack	291065

- Baskets are NOT included in standard Dispenser package.





**GDF14 Series Dispensers**  
**NOTES**