

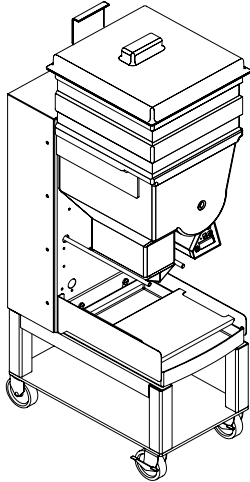


Models: GDF14, GDF14E and GDF14EL

Fry / Appetizer Dispenser

Equipment/Service Manual

English (Rev. E)
P/N 291508



AUTOMATED EQUIPMENT LLC
5140 Moundview Drive, Red Wing, MN 55066 U.S.A.

PHONE: 1 (800) 248-2724

1 (651) 385-2273

FAX: 1 (651) 385-2166

SERVICE FAX: 1 (651) 385-2172

For Service in the US and Canada, Call:

1 (800) 248-2724

[http:// www.autoequipllc.com](http://www.autoequipllc.com)

Business Hours: 8:00 AM – 5:00 PM CST

After hours, your call will be handled by a pager service;
a Technical Support Representative will return your call.

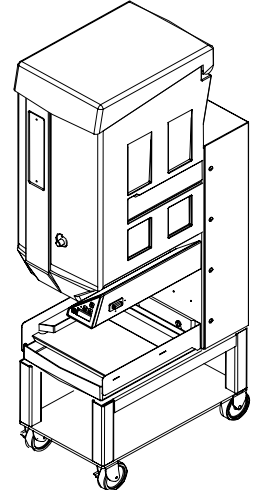


TABLE OF CONTENTS

INTRODUCTION	3
FCC STATEMENT	3
SPECIFICATIONS	3
WARRANTY	4
REQUESTING SERVICE, ASSISTANCE, OR PARTS	5
INTENDED USE	6
SAFETY & EQUIPMENT CARE	6
INTERNATIONAL SAFETY LABELING	7
EQUIPMENT CARE LABEL	8
ASSEMBLING THE GDF14 DISPENSER	9
ASSEMBLING THE GDF14E DISPENSER	10
ASSEMBLING THE GDF14EL DISPENSER	11
DAILY SET UP	12
DAILY CLOSING	12
LOADING FROZEN PRODUCT INTO HOPPER	13
CONTROL PANEL DISPLAY	14
CONTROL PANEL DEFINITIONS	14
GDF14 SERIES MENU STRUCTURE	15
NORMAL OPERATING MODE	16
CHANGING THE DISPENSER WEIGHT SETTINGS	16
EMPTY HOPPER MODE	17
USER MENU	18
AUTO-MANUAL MODE	18
CALIBRATE MODE	19
MANAGER FUNCTION MODE	20
CONFIGURE PRESETS	20
SELECT LANGUAGE	21
DIAGNOSTICS	21
DIAGNOSTICS FUNCTIONS - DEFINITIONS AND INSTRUCTIONS	22
ERROR CODE DEFINITIONS	23
TROUBLESHOOTING TABLE	24
BASKET SENSOR ADJUSTMENT	25
ILLUSTRATIONS & PARTS LISTS	27
FRONT VIEWS	27
REAR VIEWS	30
SYSTEM SCHEMATIC	32
CONTROLLER LAYOUT	33
ACCUMULATOR DOORS ASSEMBLY	34
ACCUMULATOR DRIVE ASSEMBLY	35
DRUM MOTOR DRIVE ASSEMBLY	37
BASKET RACK ASSEMBLY GDF14	38
BASKET RACK ASSEMBLY GDF14EL	39

GDF14 Series Dispensers

The information in this manual is subject to change without notice.

IN NO EVENT WILL AUTOMATED EQUIPMENT LLC BE LIABLE FOR TECHNICAL OR EDITORIAL OMISSIONS MADE HEREIN; NOR FOR DIRECT, SPECIAL, INCIDENTAL, OR CONSEQUENTIAL DAMAGES RESULTING FROM THE FURNISHING, PERFORMANCE, OR USE OF THIS MATERIAL.

This manual is copyrighted with all rights reserved. Under the copyright laws, this manual may not be copied, in whole or part, without the written consent of Automated Equipment LLC.

Product names mentioned herein are for identification purposes only, and may be trademarks and/or registered trademarks of their respective companies.

GDF14 Series Dispensers

INTRODUCTION

The GDF14 Series Frozen Product Dispenser is a compact, semi-automated system that replaces manual basketing of Frozen Fries /Appetizers. There are two models in the Series: GDF14 and GDF14E.

The GDF14 Series Frozen Product Dispenser weighs loads of frozen product and dispenses the selected weight into the Fryer Basket each time the Dispense button is pressed, or automatically dispenses when the Auto mode is activated.

The GDF14 Dispenser's Hopper holds frozen product prior to Basket Loading. (See the Specifications for capacities. Capacity varies depending on the type and volume of the fry cut or appetizer.) A rotating Dispenser Drum inside the Hopper transfers the product onto the Accumulator Doors where a weighing system accurately weighs the frozen product.

NOTE: This equipment is manufactured in the U.S., therefore all hardware measurements are in English, and the metric conversions stated are approximate.

HAZARD COMMUNICATION STANDARD (HCS)

The procedures in this manual may include the use of chemical products. These chemical products will be highlighted with boldface letters followed by the abbreviation (HCS) in the text portion of the procedure. See the HCS Manual for the appropriate Material Safety Data Sheets (MSDS).

IMPORTANT

This equipment is only to be installed in locations where use and maintenance is restricted to trained personnel.

This equipment must be placed on a horizontal surface with a tilt of less than 2 degrees.

FCC STATEMENT

WARNING: This equipment generates, uses, and can radiate radio frequency energy and, if not installed and used in accordance with the instruction manual, may cause interference to radio communications.

SPECIFICATIONS

Features:

- Bulk storage of frozen product:
GDF14 - 36 lbs. / 16.3 kg
GDF14E - 30lbs. / 13.6 kg
GDF14EL - 30lbs. / 13.6 kg
- Manual or Automatic Dispense Modes
- Electrically driven
- Holds 2 Fryer Baskets
- Disassembles for cleaning

Optional equipment:

- Fryer Baskets
- Side Basket Rack (holds 4 baskets)

Electrical Requirements:

- 120 V a.c., 60 Hertz, 0.75A, US/Canada
- 95-240 V a.c., 50-60 Hertz, 40 Watts, 1Ø (single phase), International

Other Equipment Information:

- Noise Emissions: < 70 dB(A)
- Maximum Altitude: 6000ft. (1525 meters)
- Maximum Humidity: 95% non-condensing
- Ambient Temperature: 40°- 77°F (4° - 25°C)

Serial Number:

The information found in the serial number identification label on the back panel of the Dispenser is as follows:

Example: s/n 14SR0006A00082

14S = Model GDF14

R = Plant

00 = Year of Manufacture

06 = Month of Manufacture

A = Revision Level

00082 = Sequence number

Space Requirements:

Clear floor space near fry vat at least 15 inches (38 cm) wide and 28 inches (71 cm) deep.

GDF14 Series Dispensers

WARRANTY

Automated Equipment LLC (hereinafter "AELLC"), warrants the purchased product to be free from manufacturing defects in material and workmanship under normal use and conditions for the period and component specified below:

<u>Components covered</u>	<u>Term</u>
Electronic Circuit Board Assemblies	1 year
Electrical and Mechanical Moving Parts	1 year
Structural frame work or enclosures	1 year
Crew removable components:	
• Crumb Tray	90 days
• Basket Rack	90 days
• Accumulator Tray	90 days
• Hopper, Hopper Lid, Diverter	90 days
• Drum	90 days
• Fryer Baskets	90 days
• Power Cord	90 days

The Warranty period commences on the date of shipment from AELLC for the Frozen Product Dispenser and/or Dispenser Accessories (hereinafter "Product").

EXCEPT AS OTHERWISE PROVIDED HEREIN AELLC MAKES NO OTHER WARRANTIES, EXPRESSED OR IMPLIED AND SPECIFICALLY DISCLAIMS ANY WARRANTY OF MERCHANTABILITY OR FITNESS FOR A PARTICULAR PURPOSE.

AELLC shall not be liable for any direct, indirect, consequential damages (including damages for loss of business profits, business interruption, loss of business information and the like) arising out of the use of or inability to use the Product.

THIS WARRANTY IS VOID IF THE PRODUCT IS NOT FUNCTIONING CORRECTLY DUE TO ABUSE OR NEGLIGENCE BY THE PURCHASER, ITS EMPLOYEES, AGENTS, OR OTHER REPRESENTATIVES EITHER BY BREAKING, BENDING, MISUSE, ABUSE, DROPPING, ALTERATION, IMPROPER MAINTENANCE OR ANY OTHER FORM OF NEGLIGENCE OR IMPROPER USAGE. THIS WARRANTY DOES NOT COVER DAMAGE TO THE PRODUCT CAUSED BY NATURAL CAUSES SUCH AS LIGHTNING, ELECTRICAL CURRENT FLUCTUATIONS, FLOOD, FIRE, TORNADOES, OR OTHER ACTS OF GOD. AELLC WILL INVOICE PURCHASER FOR REPAIRS MADE NECESSARY BY THE HEREIN LISTED CAUSES.

This warranty is governed by the substantive laws of Minnesota, U.S.A., without giving effect to the conflict of law provisions.

This warranty is non-transferable and applies only to the original Purchaser.

REQUESTING SERVICE, ASSISTANCE, OR PARTS

WARRANTY SERVICE

Warranty service must be initiated by calling AELLC's Technical Support Hot Line at 1-800-248-2724 (U.S./Canada) or 651-385-2273 to establish all warranty requests.

AELLC Technical Support personnel will determine the cause of failure and provide the appropriate resolution. If replacement parts are required, parts will be provided by AELLC or by an authorized Service Support Center/Parts Distributor.

NON-WARRANTY SERVICE

Service is normally conducted by customer appointed personnel, or by contracting a local service agent. Service fees are in accordance with industry standards.

Replacement parts are available through local Service Support Center/Parts Distributors or direct from AELLC by calling 1-800-248-2724 (U.S./Canada) or 651-385-2273 in the event a local distributor is not available.

AELLC's Technical Support Hot Line is available for telephone assistance providing AELLC product technical support, parts and parts information, and service agent referral. Contact AELLC's Technical Support Hot Line at 1-800-248-2724 (U.S./Canada) or 651-385-2273.

Record the following information for your records:

Date of Installation

Service Agency Telephone

Serial Number

When repairing this unit, use only replacement parts supplied by AELLC, or supplied by an AELLC Factory Authorized Parts Distributor. Use of replacement parts other than those supplied by AELLC or by an AELLC Factory Authorized Parts Distributor will void the warranty.

All charges for parts and shipping are F.O.B. AELLC, and are subject to change without notice. Prices will be those in effect at the time of shipment.

Schwan's Technology Group, Inc. reserves the right to make suitable substitutions in materials, depending upon their availability.

WARNING!

Only trained and/or qualified personnel should perform service to this equipment.

Service functions described in this manual could cause irreversible damage to the equipment and/or injury to personnel if performed improperly.

If the power cord is damaged, it must be replaced by the manufacturer or its service agent or a similarly qualified person in order to avoid a hazard.

GDF14 Series Dispensers

INTENDED USE

The GDF14 Series Dispenser is intended to dispense only non-meat based frozen food products.

NOTICE:

- The Dispenser must be accessible from the rear for service.
- The Dispenser must be accessible from all sides for routine cleaning and maintenance. A minimum of 4 inches (10cm) clearance on both sides and behind the Dispenser is recommended.

SAFETY & EQUIPMENT CARE

Follow these guidelines during operation and repair of the GDF14 Series Frozen Product Dispenser:

- Disconnect the Dispenser Power Cord from the wall outlet before servicing.
- If the power cord is damaged it must only be replaced by the manufacturer or its service agent, or by a similarly qualified person, in order to avoid a hazard.
- Use appropriate tools for servicing this equipment.
- Inspect the Dispenser on a regular basis to identify problems before they occur.
- Keep the Dispenser clean.
- Keep hands away from the following areas while the Dispenser is operating:
 - Accumulator Doors
 - Dispenser Drum
- Fryer baskets may be hot. Pick up by handles only.
- Do NOT spray down the Dispenser with water. The Dispenser is not sealed against jetting water; therefore contaminants and moisture may get into sensitive components.
- Do NOT roll the Dispenser to the back sink for cleaning; this will cause unnecessary wear on the Dispenser.
- Do NOT place the Dispenser in the freezer to maintain product. Always remove product from the Dispenser at the end of each day.

WARNING!

Only trained and/or qualified personnel should perform service to this equipment. Service functions described in this manual could cause irreversible damage to the equipment and/or injury to personnel if performed improperly.

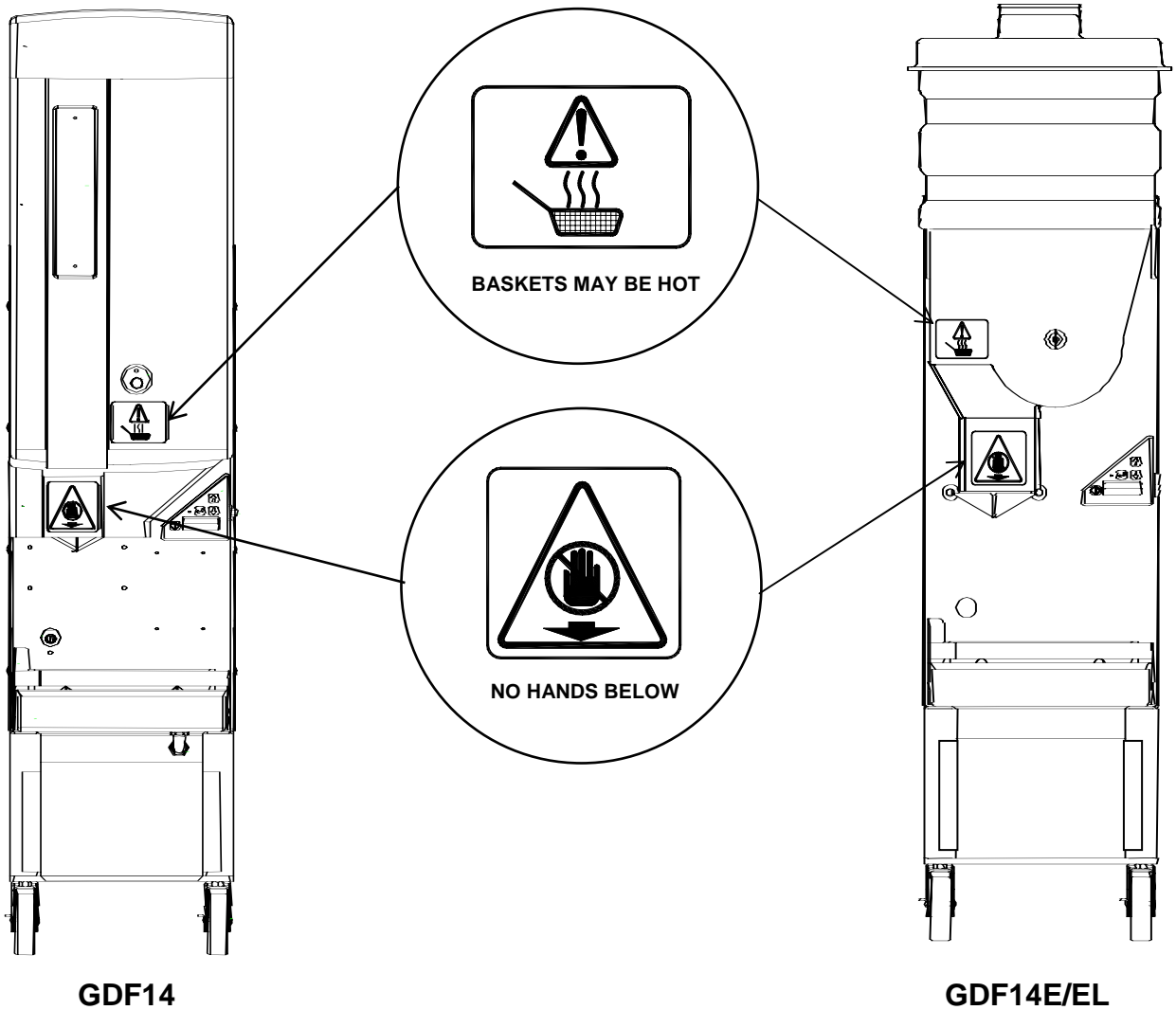
GDF14 Series Dispensers

INTERNATIONAL SAFETY LABELING

Safety labels are affixed to the hopper. The labels clearly indicate areas on the fry/appetizer dispenser that could be harmful to the operator.

These safety issues are:

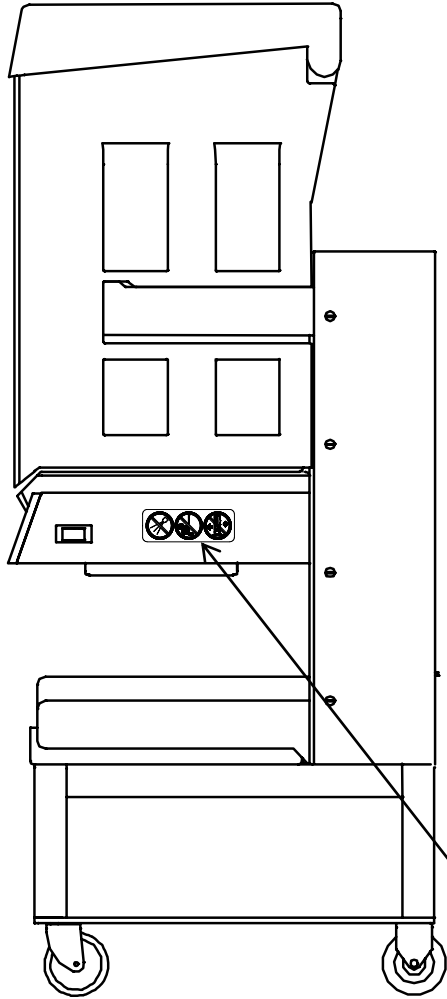
1. **BASKETS MAY BE HOT:** Always use the handle to pick up a Fry Basket.
2. **NO HANDS BELOW:** Hands should not be placed near or below the accumulator doors while the dispenser is energized.



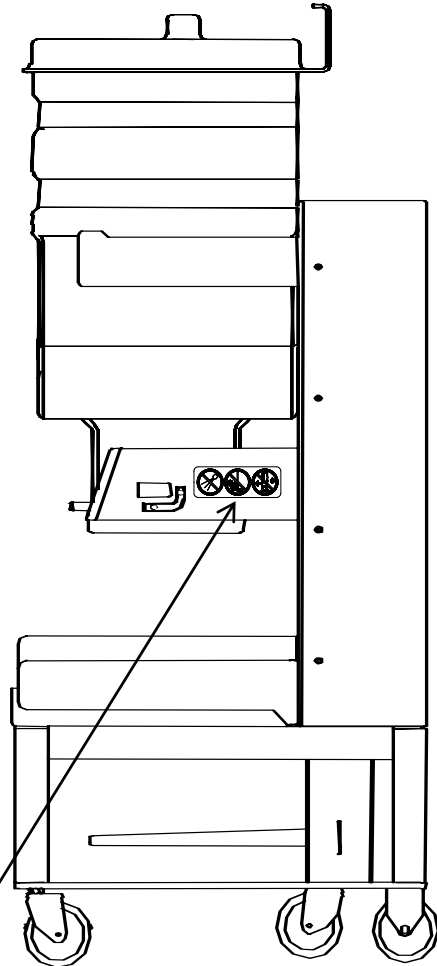
GDF14 Series Dispensers

EQUIPMENT CARE LABEL

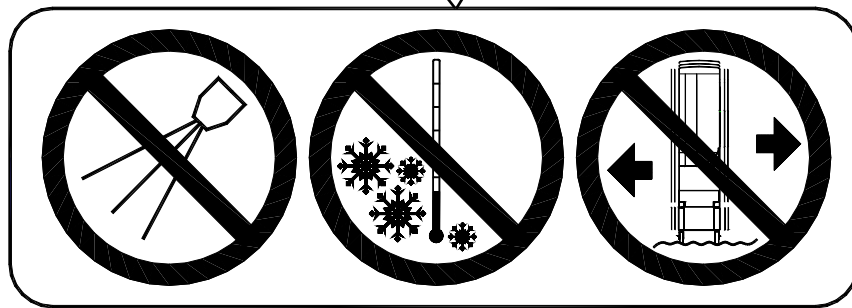
The label affixed to the side of the Controls cabinet warns against actions that may cause damage to the Dispenser. Failure to abide by these label instructions will void the warranty if the machine is damaged.



GDF14



GDF14E/EL



**DO NOT SPRAY
DISPENSER TO
CLEAN**

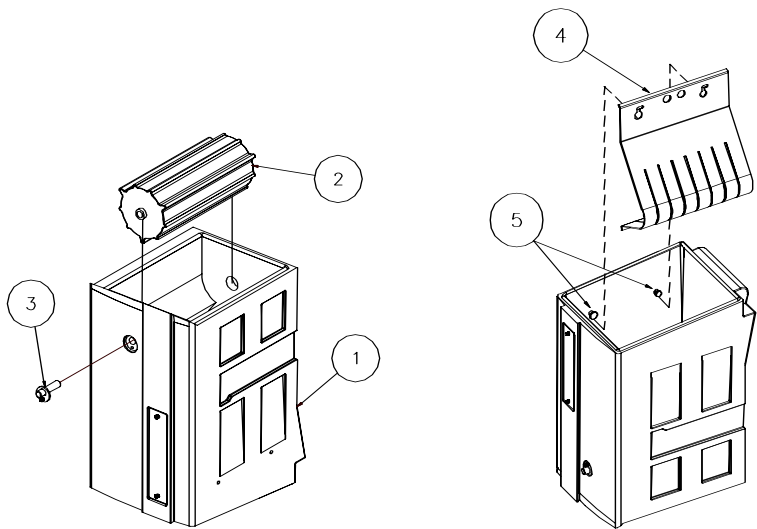
**DO NOT STORE
DISPENSER IN
FREEZER**

**DO NOT ROLL
DISPENSER
ACROSS UNEVEN
SURFACES**

GDF14 Series Dispensers

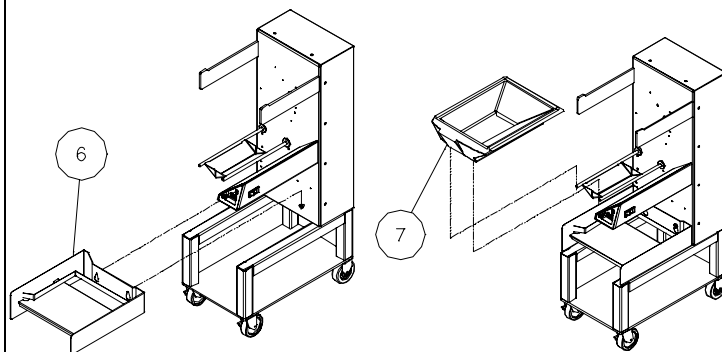
ASSEMBLING THE GDF14 DISPENSER

1. Turn the Hopper (**Item 1**) upside down with the window facing forward. Place the Drum (**Item 2**) into the Hopper. The end of the Drum with the square hole must face the back of the hopper. The ends of the Drum fit into round indentations on the inside of the hopper. Once the Drum is in place, the Drum Pin (**Item 3**) is inserted into the hole on the front of the Hopper and the thumbscrew tightened down. Check that the Drum turns freely before continuing.
2. Turn the Hopper upright to install the Diverter (**Item 4**). The Diverter has two outer holes that have right angle slots. The round part of the outer holes fits over shoulder bolts (**Item 5**) on the inside left of the Hopper. After the Diverter has been placed on the shoulder bolts, slide it down and then to the left to fit the shoulder bolts into the right angle slot. The two inner holes on the Diverter are provided as finger grips to help guide the Diverter into the correct position.
3. Mount the Basket Rack (**Item 6**) onto the Shoulder Bolts on the Dispenser Chassis.
4. Place the Accumulator Tray (**Item 7**) onto the Accumulator Doors. The wider end/larger opening is the topside of the Tray. The Accumulator Tray has two parallel grooves to fit directly and securely on the Accumulator Door Shaft bars.
5. Grasp the front of the Hopper where indicated by the arrows to mount the Hopper to the Support Bars. Slide the Hopper onto the Hopper Support Bars aligning the Drum Motor shaft with square hole in the Dispenser Drum. It may be necessary to manually rotate the Drum to attain proper alignment between the Drum and the Drum Motor Shaft. Do this by sliding your hand under the Hopper between the Hopper and Accumulator Tray. You will feel the Drum align on the shaft as you manually rotate the drum. Once the Drum Motor Shaft and Drum are properly aligned, slide the Hopper completely onto the Dispenser Chassis. Apply gentle pressure to the Hopper to fully engage the Hopper onto the Hopper Support Bars. **CAUTION:** Do NOT force the Hopper back, damage to the Hopper or Drum could occur.
6. Slide the Crumb Tray (**Item 8**) under the Basket Rack. Install the Hopper Lid (**Item 9**).



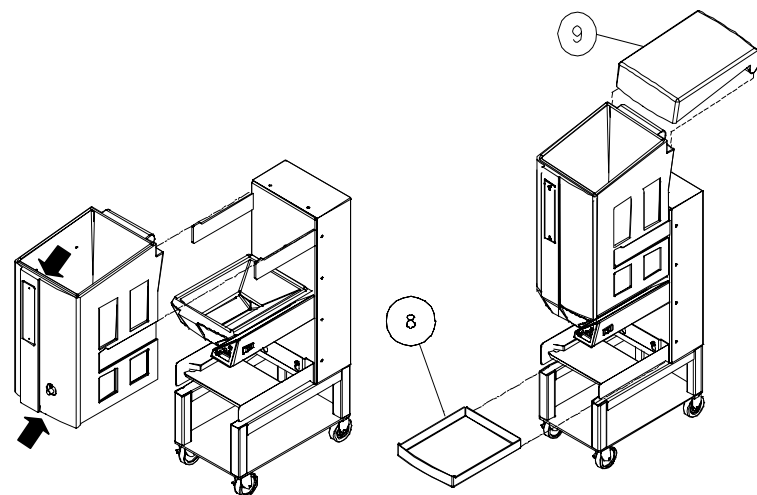
Step 1

Step 2



Step 3

Step 4



Step 5

Step 6

GDF14 Series Dispensers

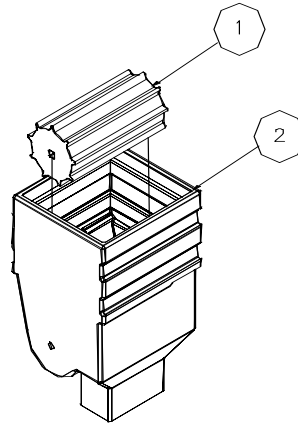
ASSEMBLING THE GDF14E DISPENSER

1. Find the square opening in one end of the Dispenser Drum (**Item 1**). Place the Dispenser Drum in the Hopper (**Item 2**), aligning the square opening on the Dispenser Drum with the hole in the back of the Hopper.
2. Grasp the Hopper (where indicated by the arrows) so that the hole is toward the Dispenser. Align the indentations on the sides of the Hopper with the Hopper Support Bars (**Item 3**). Push the Hopper onto the Hopper Support Bars until the Drum Motor shaft touches the Dispenser Drum.

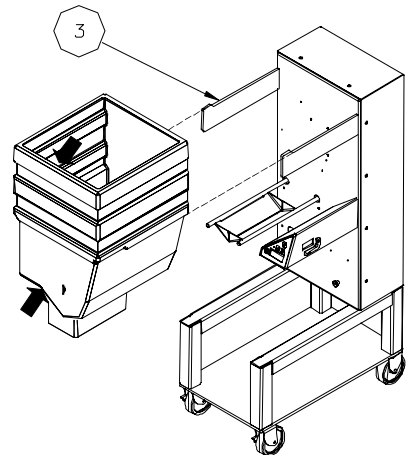
CAUTION: Do NOT force the Hopper back, you could damage the Hopper or Drum.

Rotate the Dispenser Drum (CLOCKWISE or COUNTER-CLOCKWISE) while applying gentle pressure to the Hopper until you can easily slide the Hopper fully onto the Hopper Support Bars

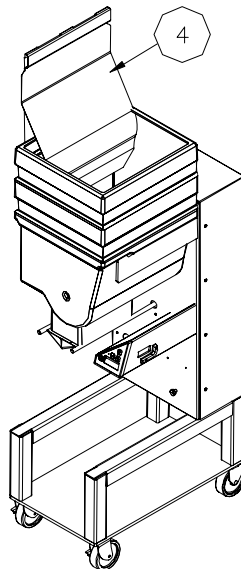
3. Place the Diverter (**Item 4**) in the Hopper. Be sure that it is hooked on the LEFT edge of the Hopper.
4. Mount the Basket Rack (**Item 5**) onto the Shoulder Bolts on the Dispenser Chassis.
5. Slide the Crumb Tray (**Item 6**) under the Basket Rack. Install the Hopper Lid (**Item 7**).



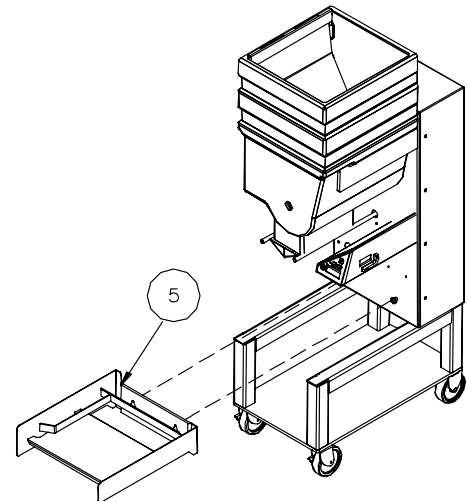
Step 1



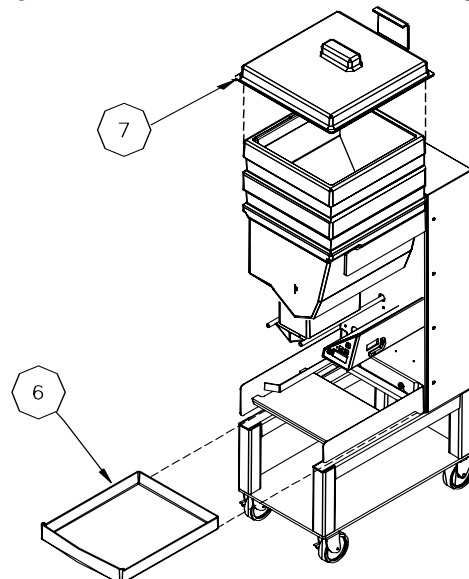
Step 2



Step 3



Step 4



Step 5

GDF14 Series Dispensers

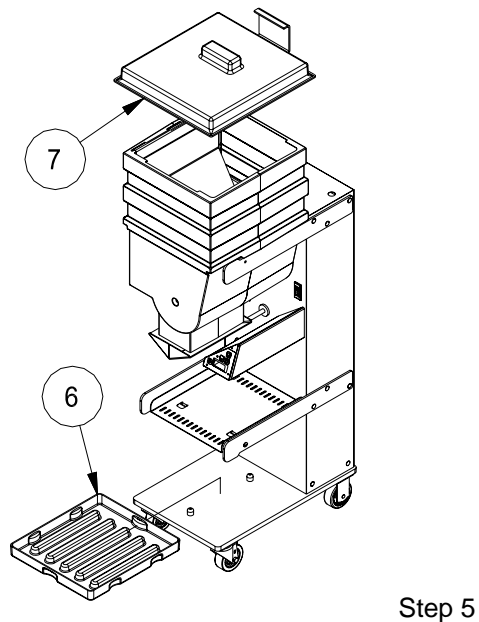
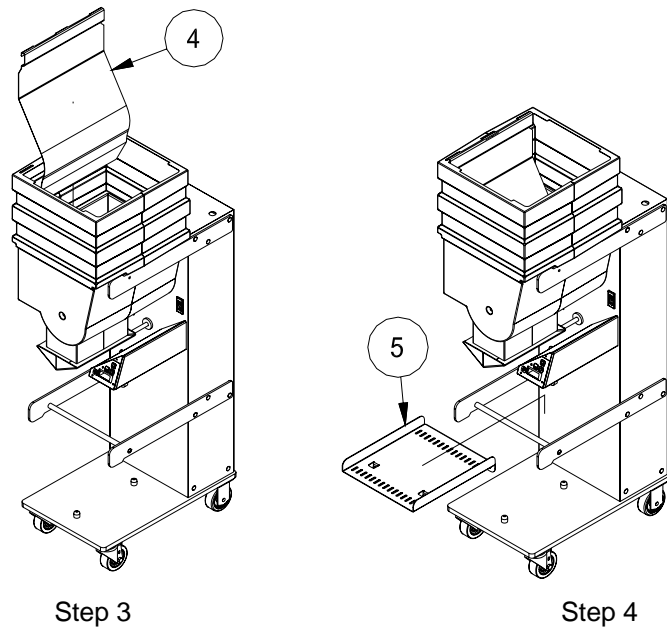
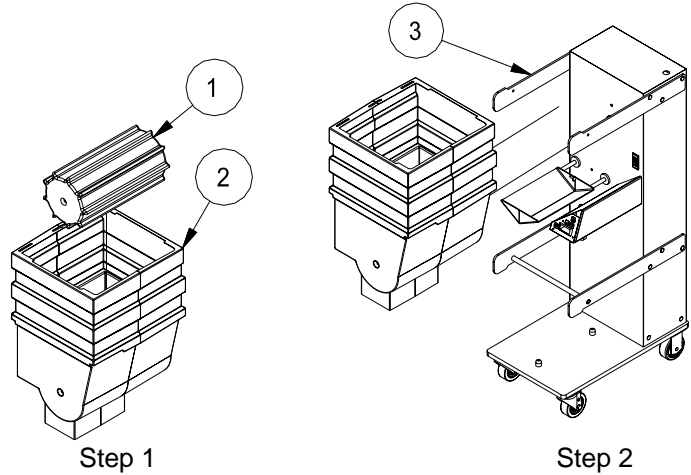
ASSEMBLING THE GDF14EL DISPENSER

1. Find the square opening in one end of the Dispenser Drum (**Item 1**). Place the Dispenser Drum in the Hopper (**Item 2**), aligning the square opening on the Dispenser Drum with the hole in the back of the Hopper.
2. Grasp the Hopper so that the hole is toward the Dispenser. Align the indentations on the sides of the Hopper with the Hopper Support Bars (**Item 3**). Push the Hopper onto the Hopper Support Bars until the Drum Motor shaft touches the Dispenser Drum.

CAUTION: Do NOT force the Hopper back, you could damage the Hopper or Drum.

Rotate the Dispenser Drum (CLOCKWISE or COUNTER-CLOCKWISE) while applying gentle pressure to the Hopper until you can easily slide the Hopper fully onto the Hopper Support Bars

3. Place the Diverter (**Item 4**) in the Hopper. Be sure that it is hooked on the LEFT edge of the Hopper.
4. Mount the Basket Rack (**Item 5**) onto the Shoulder Bolts on the Dispenser Chassis.
5. Slide the Crumb Tray (**Item 6**) under the Basket Rack. Install the Hopper Lid (**Item 7**).





GDF14 Series Dispensers

DAILY SET UP

1. Make sure the Power Switch is OFF.
2. Assemble the Dispenser (see pages 9 - 10).
3. Plug the Power Cord into a wall outlet.
4. Turn ON the Dispenser. Depending on the previous operation, the Dispenser will be in either Normal Operating mode or Automatic Operation mode.
5. Fill a Fryer Basket by placing it under the Accumulator Doors and pressing the Dispense button. When in Auto mode the Dispenser will automatically fill the basket when it is placed under the Accumulator Doors and is detected by the Basket Sensor. The Red Indicator Light on the Control Panel turns OFF (does not illuminate) when it detects a basket in proper position. The Light illuminates when the Dispenser delivers a basket load.

DAILY CLOSING

1. Remove all Fryer Baskets from the Dispenser.
2. If the Hopper and/or Accumulator Doors are not empty select the Empty Hopper mode using the Scroll Down  button on the Control Panel. Press the Dispense  button to empty remaining product into the waiting basket.
3. Turn the Power Switch to the OFF position.
4. Disconnect Power Cord from the electrical outlet.
5. Remove the Hopper, Lid and Drum assembly.
6. Remove the Accumulator Tray, Basket Rack and Crumb Tray.
7. Take removable components from the Dispenser to the washing area. Wash them in a hot solution of sanitizing solution and water, rinse in clear water and allow to air dry (wash /rinse/sanitize).

WARNING: The Drum, Hopper, Hopper Lid, Accumulator Tray, Crumb Tray and Fry Diverter are NOT dishwasher safe.

8. Wipe down the Dispenser with a hot solution of sanitizing solution and water. Repeat wipe-down with clear water and allow to air dry.

WARNING: Do NOT spray down the Dispenser with water. The Dispenser does not provide an airtight seal. Contaminants and moisture may get into sensitive components.

9. Move the Dispenser out from the wall to clean behind and underneath it.

WARNING: Do NOT move the Dispenser to the back sink for cleaning, this will cause unnecessary wear on the Dispenser.

10. Dry all parts and reassemble the Dispenser.
11. Roll the Dispenser back into place.

GDF14 Series Dispensers

LOADING FROZEN PRODUCT INTO HOPPER

To achieve optimum yield and the most consistent basket loads, it is important to use the following technique for loading frozen product into the Hopper. (See Specifications on page 3 for Hopper capacities. Capacity varies depending on the type and volume of the fry cut or appetizer.)

For each bag or box of frozen product:

1. Remove the bag or box of product from the case. Be careful not to crush the product.
2. Open the top of the bag or box completely. If your supplier uses bags, make sure the bag top is fully open. If it is partially open, the product may be retained by the bag.
3. Hold the opened end of the box or bag closed with your hand and lay the opened end of the bag or box into the bottom of the Hopper against the wall opposite the Diverter.
4. Release the opened end of the bag or box.
5. Empty the bag or box into the hopper by pulling it evenly toward the Diverter. When adding multiple bags of fries, alternate the placement of the bag or box in the hopper opposite of the previous bag or box. The second bag of product should be emptied into the Hopper with the opening **toward** the Diverter, pulling it evenly toward the Hopper Wall opposite the Diverter, leaving a uniform layer of product.

Repeat steps 1 through 5 until the Hopper is full.

NOTE: Do NOT fill the Hopper past the top.

NOTE: This criss-cross loading method assures an even distribution of varying length product in the Hopper and the Baskets.

NOTE: To reduce product breakage, do NOT shake or drop product from the bag or box into the Hopper.

6. Close the Lid on the Hopper.



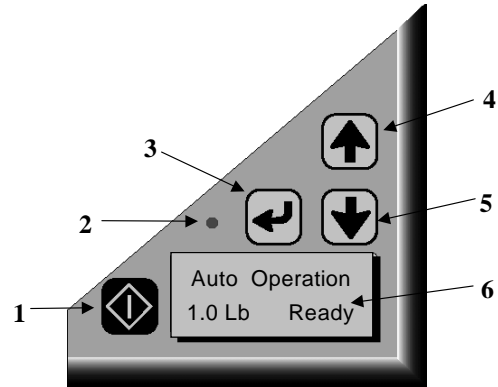
PINCH HAZARD

Personnel should take care not to place hands or fingers near the Drum, inside the Hopper, while this machine is in operation. Hands or fingers could be pinched between the Drum and the Hopper as the Drum turns.

GDF14 Series Dispensers

CONTROL PANEL DISPLAY

Item	Description
1	Dispense/Reset button
2	Indicator Light
3	Menu/Enter button
4	Scroll Up button
5	Scroll Down button
6	Display Screen
7	Mode
8	Selected Weight
9	Status: Accumulator Doors are filling
10	Status: Ready to Dispense



CONTROL PANEL DEFINITIONS

DISPENSE/RESET BUTTON: 

- Press to dispense a load of Product.
- Press to reset an Empty Hopper condition or a System Error.
- Press to return to the Default/Main Display at any time.

INDICATOR LIGHT:

- In Auto mode, turns OFF when the Basket Sensor detects a Basket. Light illuminates again after Accumulator dispenses load.
- Flashes fast when a System Error occurs, flashes slow when the Hopper is empty.

MENU/ENTER BUTTON: 

- Press and hold to open a Menu mode.
 - Press to enter a Menu Option.
- NOTE:** Once in the Menu mode, if no further changes are made, the Control Panel will return to the Normal Operating mode after 10 seconds.

SCROLL UP BUTTON: 

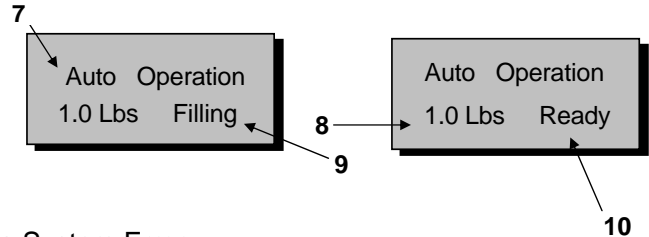
- Press to increase weight setting in the Normal Operating mode display: *Manual or Auto*.
- Press to change a Menu parameter in the Menu mode.
- Press to select a Menu function.

SCROLL DOWN BUTTON: 

- Press to decrease weight setting in the Normal Operating mode display: *Manual or Auto*.
- Press to change a Menu parameter in the Menu mode.
- Press to select a Menu function.
- Press to select Empty Hopper.

DISPLAY: (*Illustrated above*)






- Mode:
 - Manual Operation: Dispense button must be pressed to fill a Basket (default).
 - Auto Operation: Dispenser will automatically fill a Basket when the Basket Sensor detects a basket and the Selected Weight has been met.
- Status:
 - Filling: Dispenser is filling the Accumulator Doors to the Selected Weight.
 - Ready: Accumulator Doors are ready to dispense the Selected Weight.
 - Empty: The Hopper is Empty or product is not being weighed properly (bridging).
 - Disable: Weighing has been turned off.
- Selected Weight: The amount of product the Dispenser is programmed to weigh.



GDF14 Series Dispensers

GDF14 Series MENU STRUCTURE

Normal Operating Mode

- Increase / Decrease Weight Setting, and Select Empty Hopper.  
- Push To Dispense 
- Empty Hopper
 - Press the  button to activate Drum rotation and open Accumulator Doors; continue to press button until Hopper is empty.
 - Press the Scroll Up  button to selected weight.

Menu Mode

- Select Auto/Man Operation
 - Manual
 - Auto
- Calibrate
 - “Zeroing scale”
 - “Place 1.00 lbs./0.50 kg.”
(Position weights precisely, front to back, on the center of the Accumulator Doors.)
 - “Place 2.00 lbs./1.00 kg.”
(Add additional 1.00 lbs/0.50 kg to total 2.00 lbs/1.00 kg.)
 - “Remove Weights”
(Remove all weight from the accumulator doors.)
Dispenser automatically returns to Normal Operating mode.
- Manager Function
 - Configure Preset
(Customize weight settings by 0.10 lb/0.05 kg increments.)
 - Select Language
(Scroll to enter the desired language.)
 - Diagnostics
This set of functions is intended for use by trained service personnel only.
 - Software Version
 - Disable Weighing
 - Error Counts
 - Clear Errors
 - Accumulator
 - Weighing System
 - Sensor/ Power
 - Weighing Values
 - Exercise Mode
 - Restore Defaults

GDF14 Series Dispensers

NORMAL OPERATING MODE

When the Dispenser is turned ON it will automatically be in the Normal Operating mode. (See Illustration on page15)

It will be in either Manual or Auto mode. Initially (if there is no product on the accumulator doors), the Drum motor will begin to turn and the Display will indicate that the Dispenser is FILLING the Accumulator Doors.

If the Weight Sensor does not detect product on the Accumulator Doors to meet the weight setting after 40 seconds, the Dispenser will assume there is a problem with the product (bridging) in the Hopper or that the Hopper is empty. The Indicator Light will begin to blink slowly (1 blink per second) and the Display will indicate that the Hopper is Empty. To correct this condition, check the Hopper for product bridging (there is a sufficient amount of product in the Hopper, but fries or other food product have clumped together, forming a bridge, so that the product is not falling onto the Drum or Accumulator Doors) or refill it and then press the Dispense/Reset button.

NOTE: The drum will automatically start turning after 90 seconds if the dispense/Reset button is not pressed.)



After sufficient product is dispensed on to the Accumulator Doors to satisfy the Weight Sensor, the Display will indicate that the Dispenser is Ready to deliver the product into a Fryer Basket.

Fill a Fryer Basket by placing it under the Accumulator Doors. In the Auto mode, product is automatically delivered into a Fryer Basket when the Basket is placed under the Accumulator Doors. Slide the Basket back toward the Dispenser Chassis. The Indicator Light will go OFF when the Basket is detected by the Optical Basket Sensor.

After half a second, the Accumulator Doors will cycle to deliver the product into the Basket. The Indicator Light will then come back on. In the Manual or Auto mode, pressing the Dispense/Reset button will also deliver the product into the Basket.

CHANGING THE DISPENSER WEIGHT SETTINGS

While in the Normal Operating mode the operator can easily change the Dispenser weight settings.

Press the Scroll Up  button or Scroll Down  button to select the preset weight settings. These values will be shown on the display screen. The preset default weight selections are 0.50 lb/0.25 kg, 1.00 lb/0.50 kg, 1.50 lbs/0.75 kg and possibly 2.00 lbs/1.00 kg. The basket weight can be adjusted by 0.10 lb/.05 kg increments.

If the new weight selection is increased from the previous selection, the Drum will turn to achieve the new increased weight before delivering a basket load.

If the new weight selection is decreased from the previous selection, the previous (higher) weight is already “waiting” on the Accumulator Doors. The “waiting” amount must be dispensed into a basket. After delivery, the Dispenser will dispense the newly selected weight.

Auto Operation
1.00 lbs Filling


Auto Operation
1.00 lbs Empty

Auto Operation
1.00 lbs Ready


Auto Operation
1.50 lbs Ready


GDF14 Series Dispensers

EMPTY HOPPER MODE

Press the Scroll Down  button to access the Empty Hopper function.






NOTE: Be sure to have an empty basket under the Accumulator Doors before continuing this procedure.

Press the Dispense/Reset  button and hold to activate the Drum rotation and open the Accumulator Doors to empty the Hopper. Continue holding the button until the Hopper is empty of all product. The button can be released and pressed repeatedly until the Hopper is empty.

Press the Scroll Up  button to return to desired weight. The Dispenser will revert to the previously selected Auto or Manual mode operation.

GDF14 Series Dispensers

USER MENU






1. Press and hold the Menu/Enter  button and, at the same time, press the Scroll Down  button to access the Menu mode.
 2. Scroll through the available Menus by pressing the Scroll Up /Down   buttons.
NOTE: The available Menus (Auto-Manual, Calibrate, and Manager Functions) will blink until an option is selected. Once in the Menu mode, if no further changes are made, the Control Panel will return to the Normal Operating mode after 10 seconds.
 3. Once the desired menu is visible on the display screen, press the Menu/Enter  button to enter the desired function.
-


MENU MODE PROGRAMS


- Auto – Manual Mode
- Calibrate Mode
- Manager Function Mode

AUTO-MANUAL MODE


Use the following procedure to program the Dispenser for Auto or Manual Mode:

1. Press and hold the Menu/Enter  button and, at the same time, press the Scroll Down  button to access the MENU mode.
2. Press the Menu/Enter  button once to enter the Auto/Man mode.
3. Use the Scroll Up  button or the Scroll Down  button to change between "Auto" and "Manual".

NOTE: In the Manual mode the Dispense/Reset  button must be pressed to deliver a basket load. In the Auto mode, automatic delivery occurs when the Basket Sensor detects a basket in proper position under the Accumulator Doors.

4. Press the Menu/Enter  button to set the desired selection. Doing so will return the Dispenser to the Normal Operating mode. Depending on your selection, the Dispenser is ready to fill baskets manually or automatically.

OR

Press the Dispense/Reset  button to return the Dispenser to the Normal Operating mode without any changes in programming.

Select Auto/Man
Manual

Auto Operation
1.00 lbs Filling





GDF14 Series Dispensers

CALIBRATE MODE

This mode is used to calibrate the Dispenser weighing system.

Note: Remove the Hopper and any product from the Accumulator Doors prior to performing this procedure. **DO NOT remove the Accumulator Tray on the GDF14.**

Program the Dispenser for the CALIBRATE mode using the following procedure:

1. Restore defaults. (This function is accessed via the Diagnostics Mode. (See pages 15, 21-23).
2. Select Language (see Select Language, page 21).
3. Press and hold the Menu/Enter  button and, at the same time, press the Scroll Down  button to access the MENU mode.
4. Scroll through the MENU by pressing the Scroll Down  button until "Calibrate" is displayed.
5. Press the Menu/Enter  button once to enter the Calibrate mode. This will begin the calibration process and instructions will be prompted on the display screen.
6. The message "ZEROING SCALE" will appear on the display screen. The Accumulator Doors will open and close.
7. The Dispenser will automatically advance to the "PLACE 1.00 LB" (or "0.50 kg" if in the metric mode) prompt. At this point the operator is to place a 1.00 lb./0.50 kg weight on the Accumulator Doors. **NOTE:** Make sure the weight is placed in the center of the Accumulator Doors, front to back.
8. The Dispenser will advance to the "PLACE 2.00 LB" (or "1.00 kg" if in the metric mode) prompt. At this point the operator is to place an additional 1.00 lbs./0.50 kg of weight on the Accumulator Doors, for a total of 2.00 lbs./1.00 kg. **NOTE:** Make sure the weight is placed in the center of the Accumulator Doors, front to back.
9. After the calibration weight is detected, the Dispenser will prompt the operator to "REMOVE WEIGHT". Remove all weight from the Accumulator Doors. The Dispenser will automatically return to the Normal Operating mode.
10. Turn Dispenser power OFF for 15 seconds. Complete assembly and resume operation.

Calibrate
1.00 lbs Ready

Calibrate
Zeroing Scale

Calibrate
Place 1.00 lb

Calibrate
Place 2.00 lb

Calibrate
Remove Weight

SERVICE NOTE













Calibration must be performed anytime a controller pcb, e-prom or NCWS component is replaced.


MANAGER FUNCTION MODE

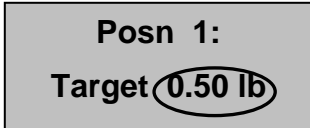
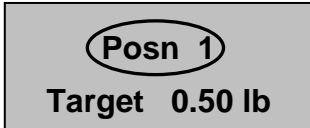
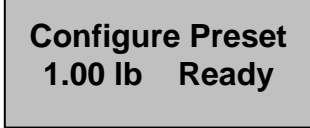
CONFIGURE PRESETS

This mode is used to adjust the preset weight values for use in the Normal Operating mode by the Dispenser operator functions (see page 16).

Program the Dispenser for the CONFIGURE PRESETS using the following procedure:

1. Press and hold the Menu/Enter  button and, at the same time, press the Scroll Down  button to access the MENU mode.
2. Scroll through the MENU by pressing the Scroll Down  button until "Manager Function" is displayed.
3. Press the Menu/Enter  button once to enter the Manager Function mode.
NOTE: Each Menu description will blink until it is entered.
(Press the Menu/Enter  button once to access the Configure Preset program. Pressing the Menu/Enter button will start the Configure Presets process and instructions will be prompted by the display.)
4. The Display shows that the weight in position 1 (POSN 1) is set at 0.50 lb (or 0.25 kg if in the metric mode). The number 1 will be flashing.
5. Use the Scroll Up  button or Scroll Down  button to observe the settings on positions 2, 3 and possibly 4.
6. To change position target weight, press  to enter the weight setting function. Notice the weight setting will now begin to flash.
7. Press the Scroll Up  button or Scroll Down  button to increase or decrease the setting in 0.10 lb/.05 kg increments. One press of either scroll button equals 0.10 lb/.05 kg increments.
8. Once the new weight is selected, pressing the  button will set the new value into memory. The Position number will resume flashing.
9. Repeat steps 6 through 9 until all settings are correct.
10. Press the Dispense/Reset  button to return to the Normal Operating mode.











NOTE: To exit Configure Presets without making or saving changes, press Dispense/Reset  button.



GDF14 Series Dispensers

SELECT LANGUAGE

This mode is used to select the language used on the Display Panel. Select the preferred display language using the following procedure:

1. Press and hold the Menu/Enter  button and, at the same time, press the Scroll Down  button to access the MENU mode.
2. Scroll through the MENUS by pressing the Scroll Down  button until "Manager Function" is displayed.
3. Press the Menu/Enter  button once to enter the Manager Function mode.
NOTE: Each Menu description will blink until it is entered.
4. Scroll by pressing the Scroll Down  button until "Select Language" is displayed.
5. Press the Menu/Enter  button to enter the Select Language mode.
6. Press the Scroll Up  or Scroll Down  button to choose a language.
7. Once the desired language is displayed on the display screen, press the Menu/Enter  button to set the language into memory.
8. Press the Dispense/Reset  button to return to the Normal Operating mode.











Select Language
1.00 lb Ready

Select Language
English

DIAGNOSTICS

This mode is used to select the Diagnostic function, and should be used by trained personnel only. Select the preferred Diagnostic function using the following procedure:



NOTE: See Pages 22 and 23 for a list of functions available in the Diagnostics mode






1. Press and hold the Menu/Enter  button and, at the same time, press the Scroll Down  button to access the MENU mode.
2. Scroll through the MENUS by pressing the Scroll Down  button until "Manager Function" is displayed.
3. Press the Menu/Enter  button once to enter the Manager Function mode.
NOTE: Each Menu description will blink until it is entered.
4. Scroll by pressing the Scroll Down  button until "Diagnostics" is displayed.
5. Press the Menu/Enter  button to enter the Diagnostics mode.
6. Press the Scroll Up  or Scroll Down  button to choose a Diagnostic function.
7. Once the desired Diagnostic function is displayed on the display screen, press the Menu/Enter  button to set the Diagnostic function into memory.
8. Press the Dispense/Reset  button to return to the Normal Operating mode.

Diagnostics
1.00 lb Ready

GDF14 Series Dispensers

DIAGNOSTICS FUNCTIONS - DEFINITIONS AND INSTRUCTIONS

While in the Diagnostics mode, the Dispenser will still operate normally. The Dispenser can be operated while watching the Diagnostic Display. If a function is manually operated with the Scroll Up/Down   buttons, the normal function will be suspended until returning to the Normal Display screen.

FUNCTIONS	DESCRIPTIONS
Software Version	Displays the version of software installed in the Dispenser.
Disable Weighing	Turns off weighing mechanism in order to service the Dispenser. The Drum does not rotate, but the Accumulator Doors still activate.
Error Counts	Records the number of errors per error code. Displays two rows, each containing three sets of numbers. Use the Scroll Up/Down   buttons to show the previous or next row. (See <i>Error Code Definitions</i> page 23).
Clear Errors	Clears all error code counts. Use the Scroll Up  button to set Clear and the Scroll Down  button to set Save. Press Menu/Enter  button to execute the command.
Accumulator	<p>H: Home Sensor. ON = doors are shut. OFF = doors are not fully shut.</p> <p>M: Accumulator Motor Drive output. ON = output on. OFF = output off.</p> <p>T: Indicates half the time for a full door cycle (time lapse for Accumulator Doors to close, open, and close again). Typically in the 80's, this number is read as hundredths of a second (88 indicates 0.88 seconds). This used to determine when the doors are fully open. A large increase in this time/number could indicate a mechanical interference.</p> <p>C: Electrical Current running through Accumulator Motor in amps (typical reading – 1.2 amps opening, 0.5 amps closing).</p> <p>S: Status of Accumulator Door cycle.</p> <p>Shut/Open/Err: Indicates the program status for the Accumulator Doors.</p>
Weighing System	<p>M: Drum Motor Drive output. Range is from 40- to 40+ with 0 (zero) being OFF. Positive values will operate the Drum Motor forward. Negative values will operate the Drum Motor backward. Each increment away from zero will increase the motor speed.</p> <p>C: Electrical Current running through Drum Motor, typically under 0.5 amps. A higher reading indicates a load on the Drum Motor.</p> <p>S: Status of Weighing cycle.</p> <p>W: Indicates the live weight on the Accumulator Doors.</p> <p>Shut/Open/Err: Indicates the status of the Accumulator Doors.</p>
Basket Sensor Test /Power Supply	<p>Bask: ON - Sensor detects a basket. OFF – Sensor does not detect basket.</p> <p>State: Status of Basket Sensor.</p> <p>Power: DC Voltage reading for the power supply.</p>

GDF14 Series Dispensers

<p>Weighing Value</p>	<p>The calculations must stay within range to work properly.</p> <p>A: Mathematically limited range between 68 and 83. B: Mathematically limited range between 87 and 115. C: Linearity measure, range between 15 and 23. D: Derived from other values. E: Input in volts. Used to check electrical behavior of the weighing mechanism. F: Range measurement between 14 and 28. Normal value is near 20. A reading outside this range indicates scale (calibration) issues. G: Offset reading, range between 0 and 7378. Normal range is 2000 to 4000. The following conditions hold true if any value is within normal range:</p> <ol style="list-style-type: none"> 1. Range and Linearity numbers are good. 2. Weight reading is near 0 when the accumulator is empty. 3. Slight upward pressure on the accumulator provides a negative weight reading. <p>If the Offset reading is in the normal 2000 to 4000 range, but the calibration is not correct, then there is mechanical interference with the accumulator assembly. Check the following areas:</p> <ol style="list-style-type: none"> 1. Shaft collars. 2. Interference between the hopper and accumulator tray. 3. Accumulator bearings.
<p>Exercise Mode</p>	<p>Dispenser performs a continuous basket cycle. Drum Motor turns, Accumulator Doors open. The number indicates the number of times the cycle has occurred.</p>
<p>Restore Defaults</p>	<p>Select English or Metric. This function restores the weighing system settings, language, error counts, and calibration to default settings. Recalibrate the weights after restoring the default. Default settings are: Language = English, Preset Weight = English (lbs.).</p>

ERROR CODE DEFINITIONS

<p>ERROR #1 - ERR_ACCUM_TIME</p>	<p>The vane sensor on the accumulator motor has failed to change state when expected. This can be invoked if the sensor fails to turn off when the accumulator starts to open, or if the sensor fails to come on when the Accumulator Doors are closed. Error indicates a mechanical blockage in the accumulator or motor, or an electrical fault in the motor, vane sensor, harnesses, or controller. This error will only occur when the accumulator is supposed to turn.</p>
<p>ERROR #2 - ERR_LINEAR</p>	<p>This is a validity check on the calibration process. There are several points in the calibration process in which bad calibration data can be detected. This may result from poor calibration weights, improper performance of calibration, interference between the accumulator and other parts of the dispenser, a mechanical shift of the weighing mechanism, failure of the Weight Sensor, or failure of the controller. This error will only occur during calibration.</p>
<p>ERROR #3 - ERR_WATCHDOG</p>	<p>The controller has restarted itself. This error indicates electrical interference with the controller. This error is silent. It does not halt the dispenser or give an error message. It may only be detected by the unexpected appearance of the copyright message, or by checking error counts.</p>
<p>ERROR #4 - ERR_NVRAM_NACK</p>	<p>This indicates an electrical failure of the non-volatile memory (NVRAM). The solution is to replace the controller. Whenever this error occurs the dispenser has been restored to English defaults and will need to be customized and calibrated before it can be used. This error will only occur at power up.</p>
<p>ERROR #5 - ERR_NVRAM_CHECK</p>	<p>Indicates corrupt data in the NVRAM. This is normal the first time a dispenser is powered up with new software. It may also occur if electrical interference prevents the data from being properly written to the NVRAM. Whenever this error occurs the dispenser has been restored to English defaults and will need to be customized and calibrated before it can be used. This error can only occur at power up. (If this error happens regularly, it indicates a failing NVRAM and the controller must be replaced.)</p>

GDF14 Series Dispensers

TROUBLESHOOTING TABLE

PROBLEM	PROBABLE CAUSE	CORRECTIVE ACTION
Display is not functioning, no indicator lights are on.	Electrical outlet malfunction.	Check the electrical outlet and associated line circuit breaker.
	Power cord not connected	Check power cord at electrical outlet and Dispenser inlet.
	ON / OFF Switch has failed	Check ON / OFF switch function
Display not functioning, but dispenser operates normally and indicator lights are on.	Control panel malfunction	Cycle the power. If problem still exists open the cover and ensure the ribbon cable is connected correctly.
Control Panel Lamp flashing slowly (about one flash per second). Display indicates EMPTY	Hopper is empty	Fill the Hopper with food product and press the Dispense button.
	Food product has formed a "bridge" over the drum.	Remove the Hopper Lid and redistribute the food product inside. Press the Dispense button.
	Hopper / Drum is not installed properly.	Remove the Hopper Lid and Diverter. Turn the Dispenser Drum, while applying pressure and slide it fully onto the shaft. Re-install the Diverter and Hopper Lid.
	Weighing system malfunction	Verify Weight Sensor calibration (see page 19).
Basket loads are consistently light or heavy.	The Hopper is touching the Accumulator Tray.	Re-assemble the Hopper. No objects, other than food product, may touch the Accumulator Tray.
	Incorrect Diverter installation.	Verify proper Diverter installation and position.
	Shaft Collar touching the Chassis.	Position the Shaft Collars properly.
	No Drum in the Hopper.	Install the Drum in the Hopper.
	The weighing system has malfunctioned.	Recalibrate; follow the procedure in the manual. (Ensure the calibration is done with the Accumulator Tray in place.) Verify weighing values (see page 19).
Dispenser Drum is not rotating	The Accumulator Doors are full.	The Dispenser Drum will rotate only when the Hopper accumulator requires more food product.
	Hopper is empty (Panel Light is flashing slowly - Display indicates EMPTY).	Fill the Hopper with food product and press the Dispense/Reset button.
	Food product has formed a "bridge" over the drum (Panel Light is flashing slowly - Display indicates EMPTY).	Remove the Hopper Lid and redistribute the food product inside. Then press the Dispense/Reset button.
	Hopper / Drum is not installed properly.	Remove the Hopper Lid and Diverter. Turn the Dispenser Drum while applying pressure to the hopper and slide the drum fully onto the shaft. Reinstall the Diverter and Hopper Lid.
	The Hopper is touching the Accumulator Tray.	Re-assemble the Hopper. No objects, other than food product, may touch the Accumulator Tray.
	Basket Load targets are not set properly.	Verify proper target values. Adjust if necessary (refer to section on adjusting basket loads).
	The Diverter fell inside the Hopper.	Install the Diverter correctly.
Does not dispense in AUTO mode	The Sensor does not detect the Basket.	Remove the Basket and reinsert it in the proper position.
	The Sensor needs adjustment.	Check and adjust the Sensor.
Accumulator Doors do not cycle	Dispense button not functioning properly	Verify switch wiring and switch function. Repair the wiring or replace Control Panel.
	Accumulator Motion Error #1	Use the Accumulator diagnostic to determine failure.

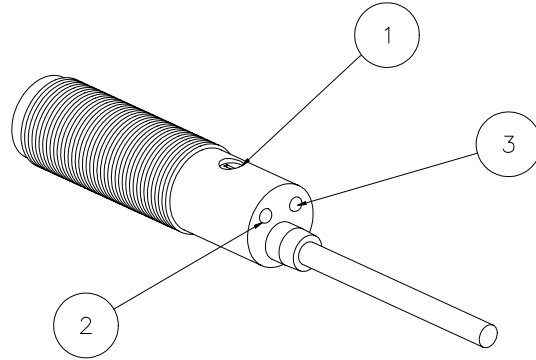
GDF14 Series Dispensers

BASKET SENSOR ADJUSTMENT

GDF14 Sensor (Older Style)

1. Remove back panel to access basket sensor.
2. Turn ON the Dispenser. Set a basket on the basket rack with the front of the basket touching the “basket stop.” NOTE: Use your least shiny basket.
3. Turn the adjustment screw fully counter clockwise. The green light should be ON.
4. Turn the adjustment screw clockwise until the green light and the red light are both ON.
5. Test sensor operation by positioning the basket on the basket rack and removing it. Watch sensor to ensure the red LED light turns off. (Must be in Auto mode to test sensor operation.)

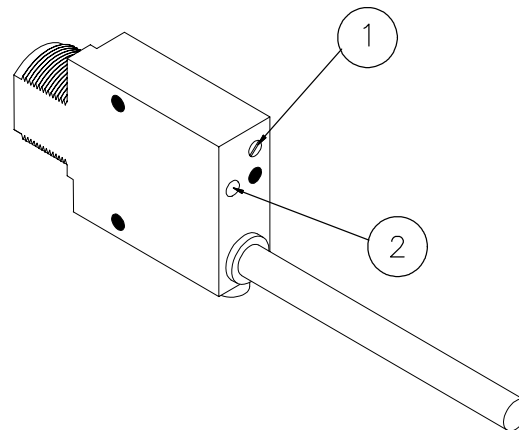
Item No.	Description
1	Adjustment screw
2	LED light - green
3	LED light – red



GDF14E Sensor (Older Style)

1. Remove back panel to access basket sensor
2. To check the sensor range (5" - 6" or 13-15 cm required), place the palm of your hand in front of sensor. The red light on the back of the sensor should turn on. Move your hand out in 1" increments. The red light should turn off at 5" - 6" (13-15 cm).
3. To adjust the sensor range, turn adjusting screw clockwise to increase, counterclockwise to decrease.

Item No.	Description
1	Adjustment screw
2	LED light - red

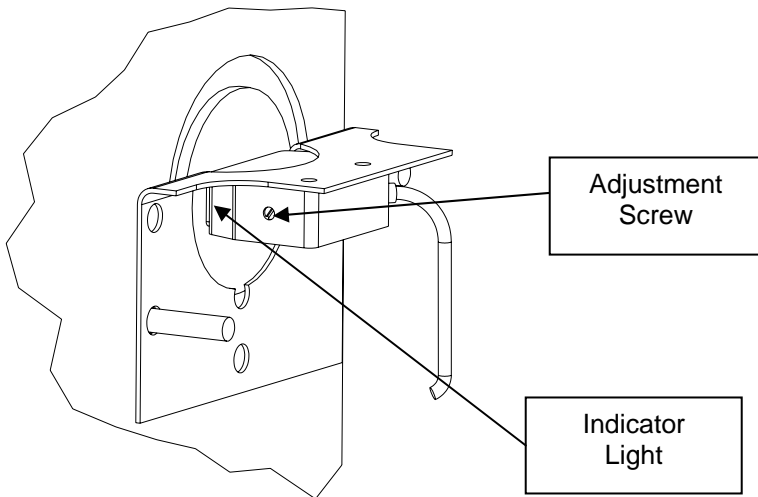
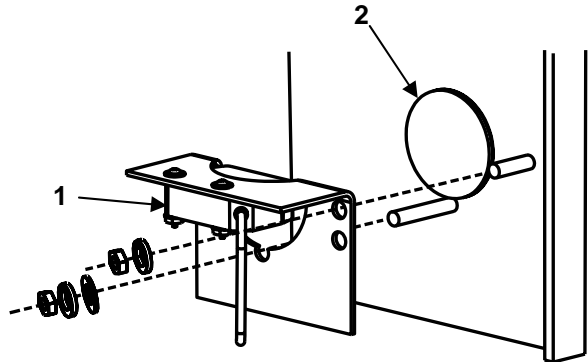


GDF14 Series Dispensers

New Style (all models)

1. Remove back panel to access basket sensor
2. To check the sensor range (5" - 6" or 13-15 cm required); place the palm of your hand in front of sensor. The red light on the front of the sensor should turn on. Move your hand out in 1" increments. The red light should turn off at 5" - 6" (13-15 cm).
3. To adjust the sensor range, turn adjusting screw clockwise to increase, counterclockwise to decrease.

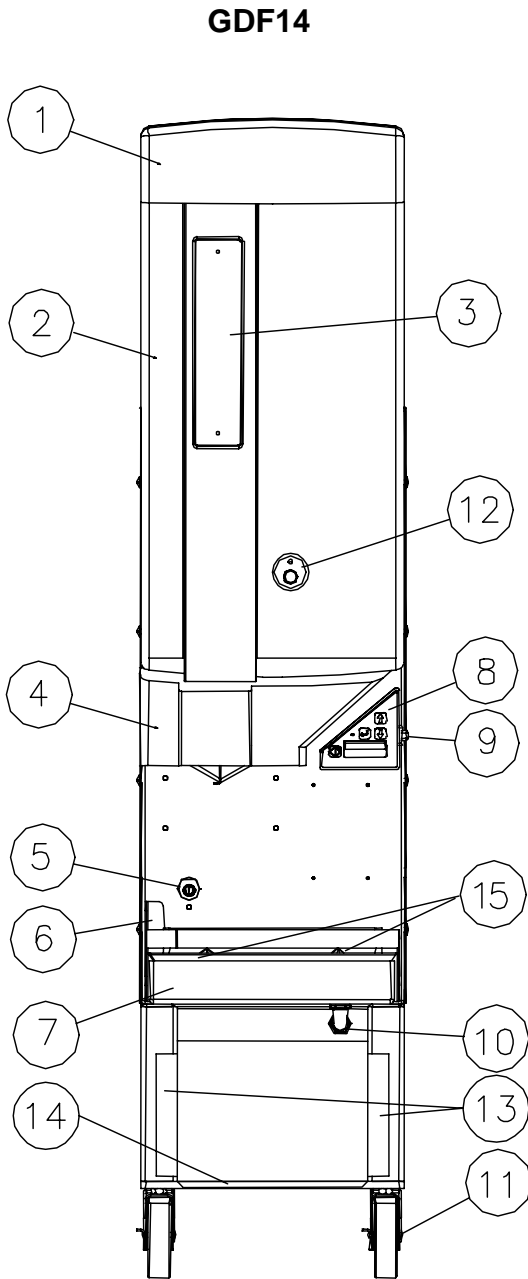
New GDF14/GDF14E Sensor Parts		
DESCRIPTION	PART NUMBER	QTY
Optical Sensor Kit (includes window, sensor, bracket and hardware)	291762	1
1 - Optical Sensor only	291727	1
2 - Sensor Window only	293804	1



GDF14 Series Dispensers

ILLUSTRATIONS & PARTS LISTS

FRONT VIEWS

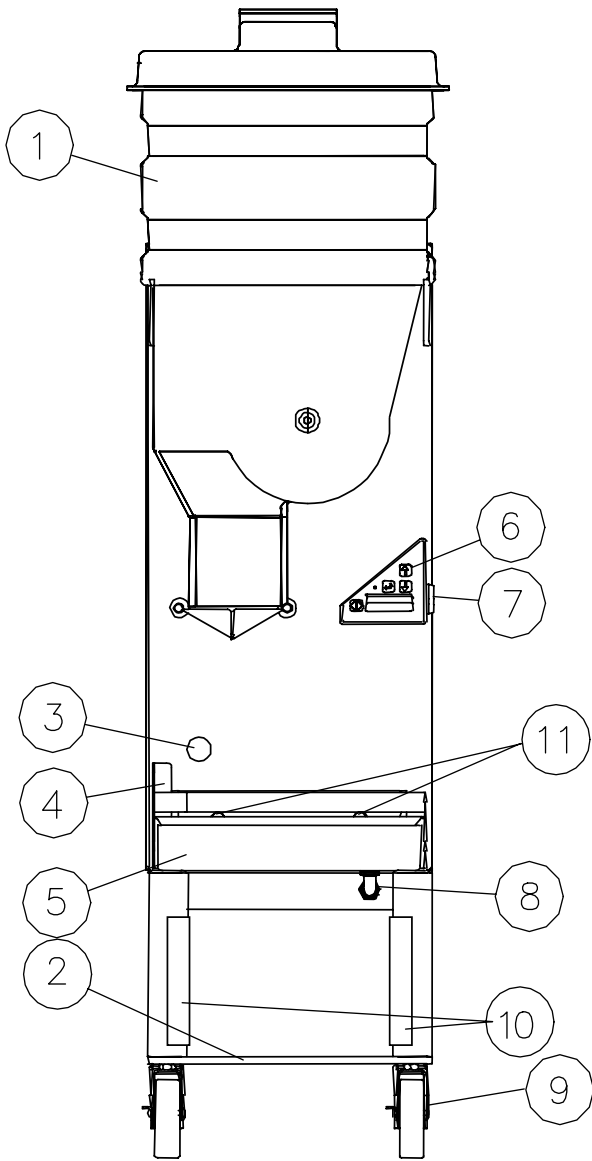


ITEM	DESCRIPTION	PART NUMBER	QTY
1	Hopper Lid	290497	1
2	Hopper Set (Includes Hopper, Drum, Installed Window and Diverter Bolts)	290697	1
	Hopper Only	290496	1
	Drum Only (<i>Not pictured, see pg. 9, Item 2</i>)	290498	1
<i>Not pictured</i>	Diverter (<i>See pg. 9, Item 4</i>)	290500	1
	Diverter Shoulder Bolt Kit (Small)	290698	1
	Diverter Shoulder Bolt Kit (Large)	291023	1
3	Hopper Window Replacement Kit (Includes mounting hardware)	290679	1
	Window Mounting Screw only	290722	2
	Window Mounting Screw retainer only	291030	2
4	Accumulator Tray	290499	1
5	Optical Sensor Window Kit (New style sensor)	293804	1
6	Basket Rack	290516	1
7	Crumb Tray	290501	1
8	Control Panel Assembly (Includes adaptor plate for older units)	291857	1
	Control Panel only	291740	1
	Control panel overlay (Older units)	290464	1
9	On / Off Switch	202381	1
10	Power Cord		
	USA	202172	1
	European	202790	1
	Australia	202354	1
11	Swivel Caster with Brake	203391	2
12	Drum Pin Assembly	291191	1
	Drum Pin Only	291154	1
	Thumb Screw Only	291158	1
	Retaining Ring Only	291185	1
13	Stainless Steel Leg Guard Assembly (Includes mounting tape)	291063	2
14	Stainless Steel Bottom Shelf	290746	1
15	Shoulder Screw, .75" DIA X .410"	203367	2
OPT.	Fry Basket (Blue Handle)	291050	*

*Recommend (6) per Dispenser

GDF14 Series Dispensers

GDF14E

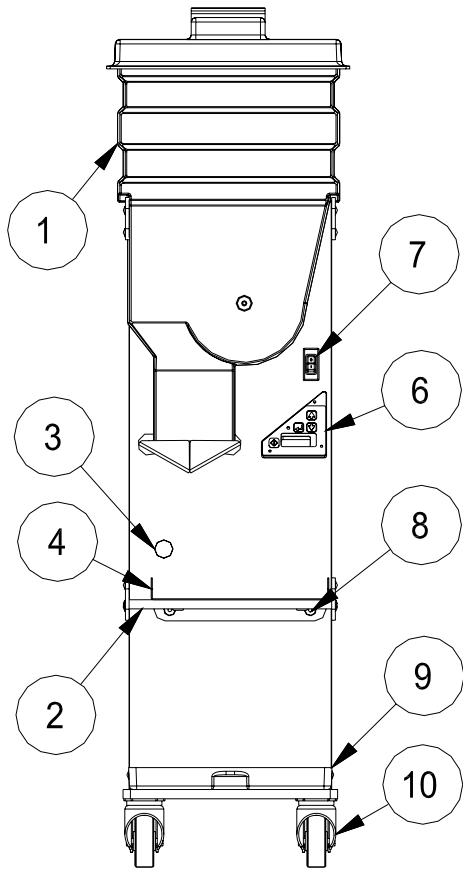


ITEM	DESCRIPTION	PART NO.	QTY
1	Hopper Set (Includes Lid, Hopper, and Drum)	291380	1
	Hopper Lid Only	291333	1
	Hopper Only	291332	1
	Drum Only (Not pictured, see pg.10, Item 1)	202366	1
Not pictured	Diverter (See pg.10, Item 4)	291335	1
2	Stainless Steel Bottom Shelf	290746	1
3	Optical Sensor Window Kit	293804	1
4	Basket Rack	291343	1
5	Crumb Tray	290501	1
6	Control Panel Assembly (Includes adaptor plate for older units)	291857	1
	Control Panel only	291740	1
	Control panel overlay (Older units)	290464	1
7	On / Off Switch	202381	1
8	Power Cord		
	USA	202172	1
	European	202790	1
	Australia	202354	1
9	Swivel Caster with Brake	203391	2
10	Stainless Steel Leg Guard Assembly (Includes mounting tape)	291063	2
11	Shoulder Screw, .75" DIA X .410"	203367	2
OPT.	Fry Basket (Blue Handle)	291050	*

*Recommend (6) per Dispenser

GDF14 Series Dispensers

GDF14EL

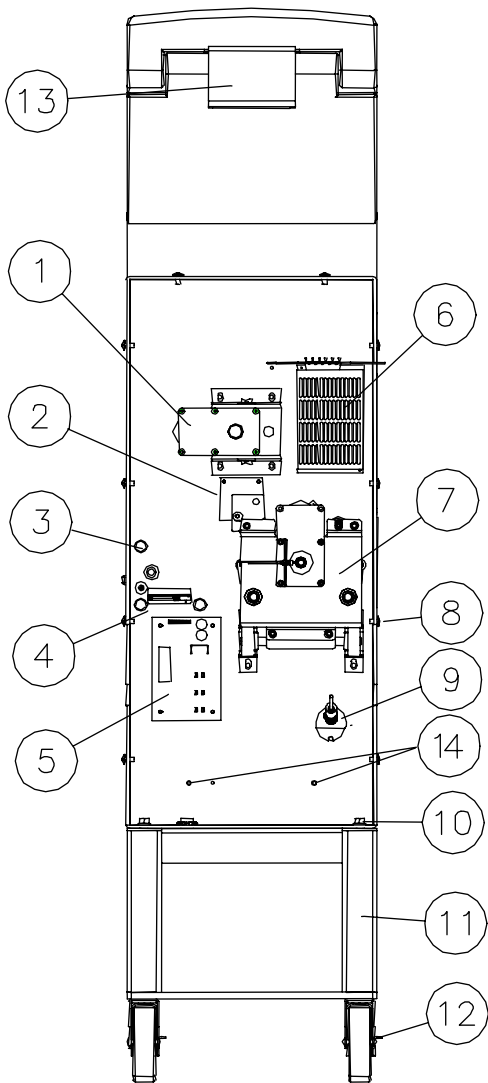


ITEM	DESCRIPTION	PART NO.	QTY
1	Hopper Set (Includes Lid, Hopper, and Drum)	291380	1
	Hopper Lid Only	291333	1
	Hopper Only	291332	1
	Drum Only (<i>Not pictured, see pg. 10, Item 1</i>)	202366	1
<i>Not pictured</i>	Diverter (<i>See pg. 11, Item 4</i>)	291335	1
2	Support Rod	293428	1
3	Optical Sensor Window Kit	293805	1
4	Basket Rack	293265	1
5 <i>not shown</i>	Power Cord USA European Australia	202172 202790 202354	1
6	Control Panel	291740	1
7	On / Off Switch	202381	1
8	Locator Pin	290687	2
9	Drip Tray Locator pins	293431 290687	1 2
10	Swivel Caster with Brake	216596	2
OPT.	Fry Basket (Blue Handle)	291050	*
*Recommend (6) per Dispenser			

GDF14 Series Dispensers

REAR VIEWS

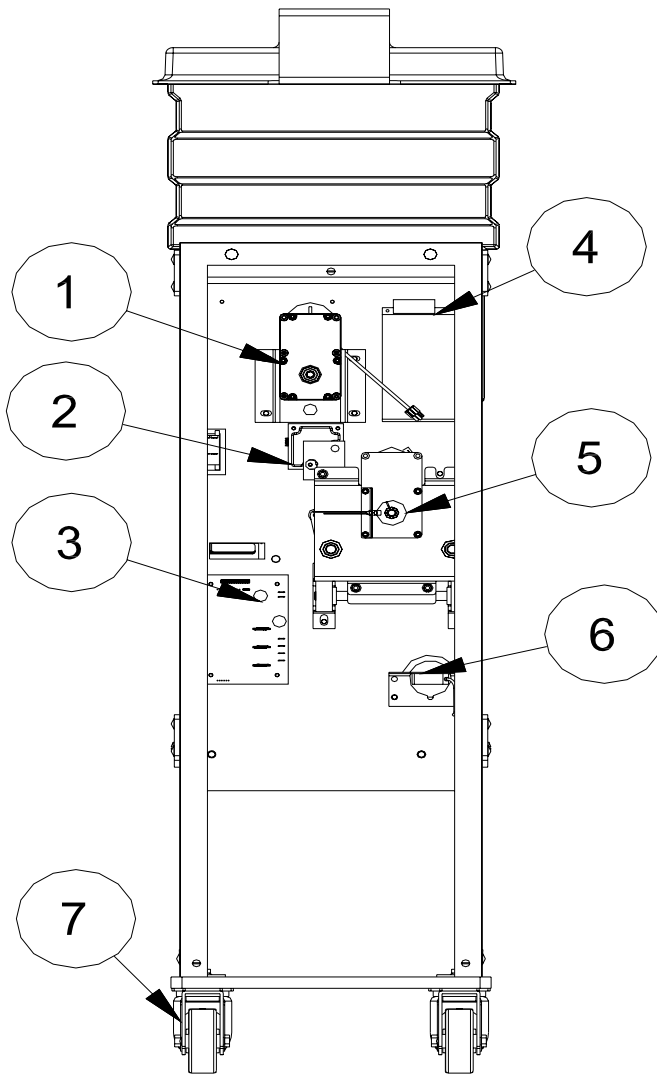
GDF14



ITEM	DESCRIPTION	PART NO.	QTY
1	Drum Motor Drive Assembly	See pg. 37	1
2	NCWS PCB	290519	1
3	High Voltage Wiring Feed through Power Harness	290536	1
4	Control Panel Wiring Duct Ribbon Cable, 26 conductor	290599	1
5	Controller Board	290551	1
6	Power Supply	202793	1
	Stand Off, 6-32 x 3/4" Hex	290541	2
	Screw with Washer, 6-32 x 3/8"	202795	2
7	Accumulator Doors Drive Assembly	See pg. 34	1
8	Back Cover Mounting Screws	202077	10
9	Optical Sensor Kit (To replace older style sensor, see page 25)	291762	1
	Optical Sensor Only (New style)	291727	1
	Optical Sensor Window Kit	293804	1
10	Mounting Bolts	290533	4
	Mounting Nuts	290534	4
11	Dispenser Cart	290548	1
12	Fixed Caster	290547	2
13*	Hanger (used on GDF14 only)	290726	1
	Mounting Screws	290727	2
14	Nut, Nylon Insert, 18-8 SST, 1/4-20	290086	2
Not Shown	Back Cover	290465	1
	Power Cord	202172	1

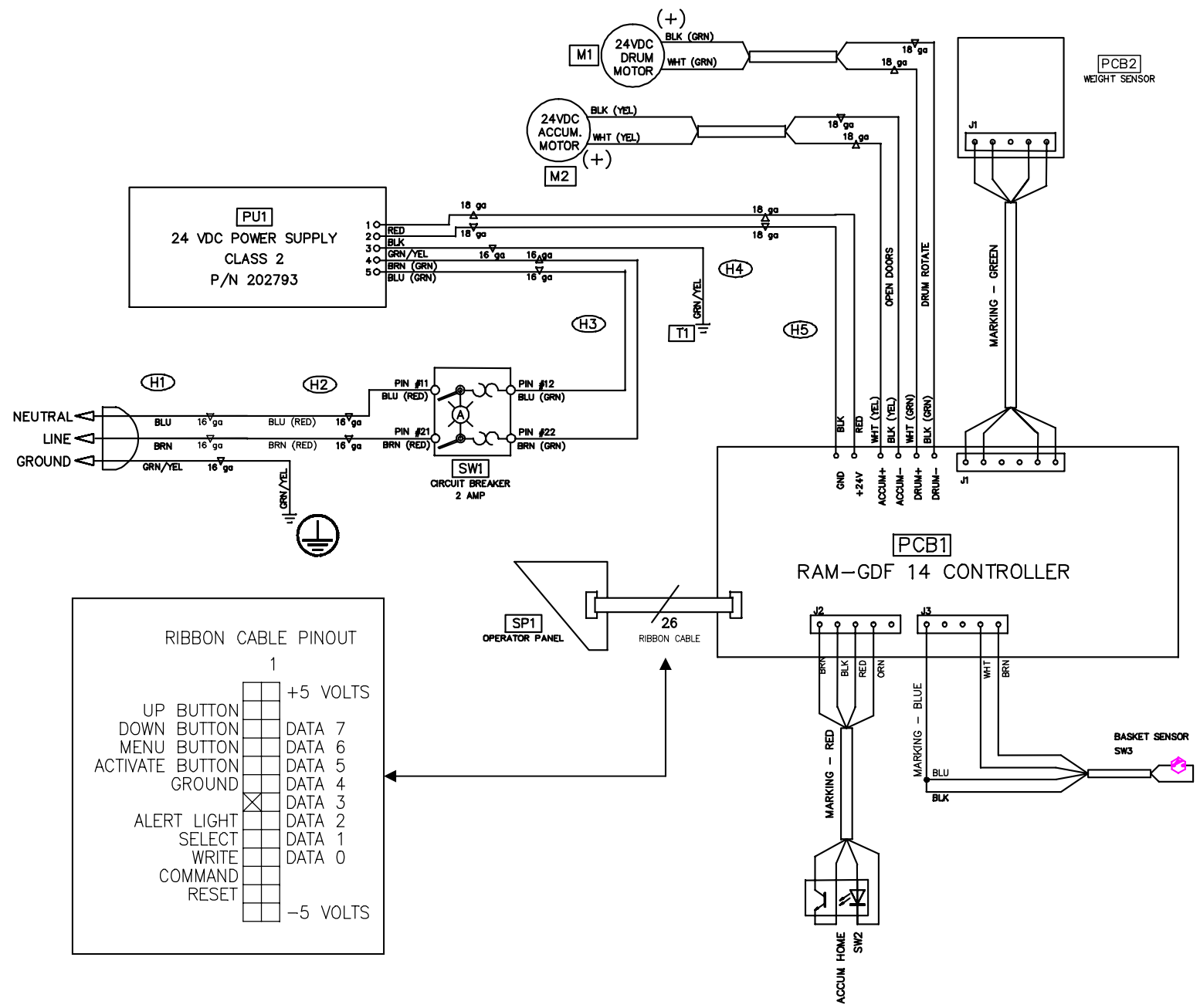
GDF14 Series Dispensers

GDF14EL



ITEM	DESCRIPTION	PART NO.	QTY
1	Drum Motor Drive Assembly	See pg 37	1
2	NCWS PCB	290519	1
3	Controller Board	290551	1
4	Power Supply	202793	1
	Stand Off, 6-32 x 3/4" Hex	290541	2
	Screw with Washer, 6-32 x 3/8"	202795	2
5	Accumulator Doors Drive Assembly	See pg 34	1
6	Optical Sensor (sensor only)	291727	1
	Sensor kit (sensor, bracket, window, and Adhesive Mounting Gasket	291762	1
	Sensor Window and Gasket only	293805	1
7	Fixed Caster	293434	2
<i>Not Shown</i>	Back Cover	293430	1
	Handle	202523	1
	Door mounting Screws, 10-32 x .50	213559	3
	Power Cord	202172	1

SYSTEM SCHEMATIC

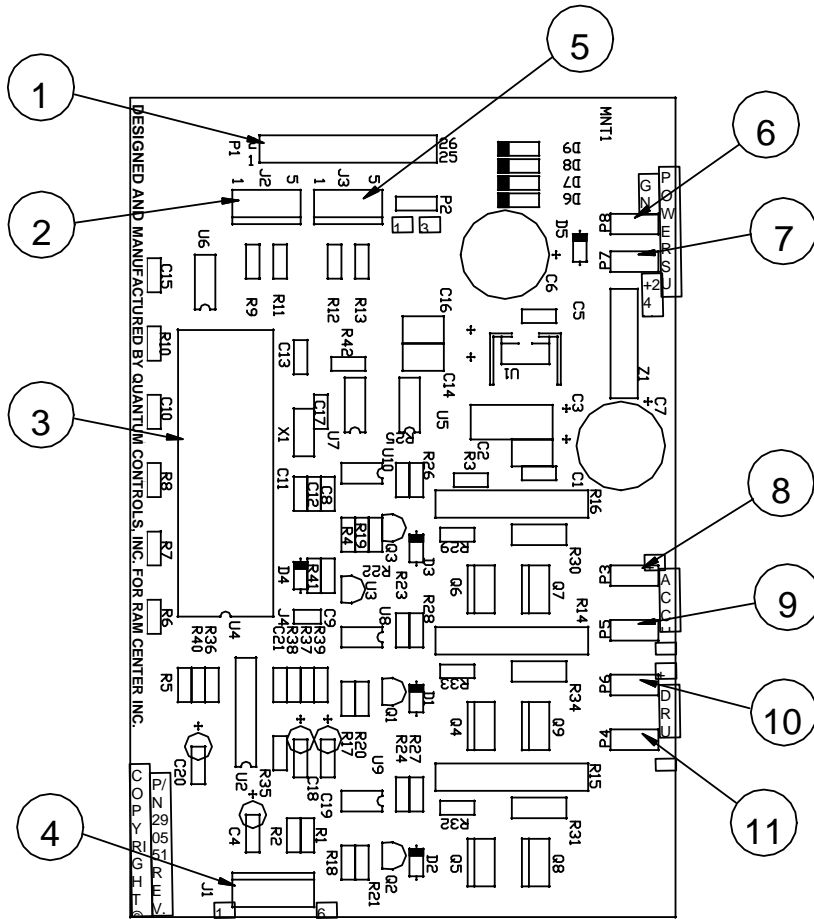


RIBBON CABLE PINOUT

	1	+5 VOLTS
UP BUTTON		
DOWN BUTTON		DATA 7
MENU BUTTON		DATA 6
ACTIVATE BUTTON		DATA 5
GROUND		DATA 4
		DATA 3
ALERT LIGHT	X	DATA 2
SELECT		DATA 1
WRITE		DATA 0
COMMAND		
RESET		
		-5 VOLTS

GDF14 Series Dispensers

CONTROLLER LAYOUT



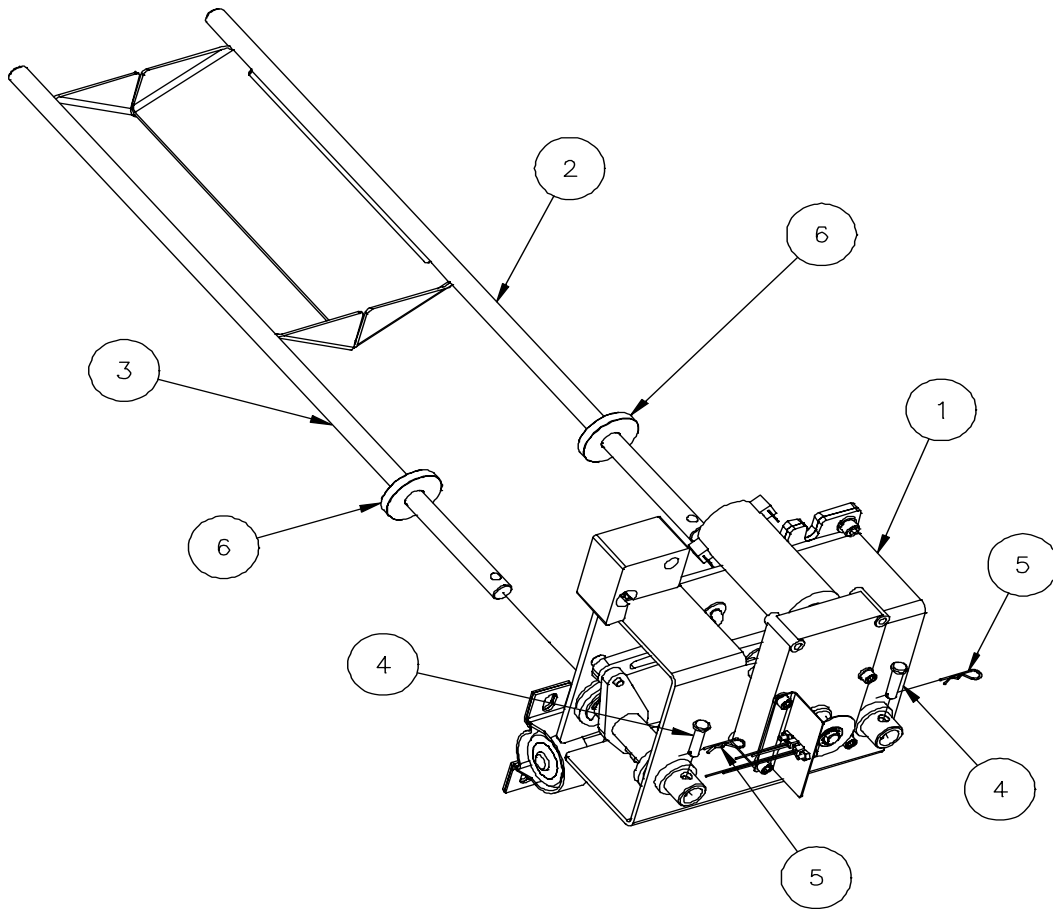
ITEM	DESCRIPTION
1	Display Connector – Ribbon Cable
2	Accumulator Home Sensor – Red Band
3	Controller / Prog EPROM
4	Weight Sensor Connector – Green Band
5	Basket Sensor Connector – Blue Band
6	Power Supply Connection - Black
7	Power Supply Connection – Red
8	Motor Connections – White (Yellow)
9	Motor Connections – Black (Yellow)
10	Motor Connections – White (Green)
11	Motor Connections – Black (Green)

GDF14 EPROM and Software Languages		
290718 Americas (AM)	290719 European (EU)	290720 Scandinavian (SC)
English	English	English
Spanish	French	Finnish
French-Canadian	Dutch	Swedish
Portuguese	German	Norwegian
-	Italian	-

GDF14E/EL EPROM and Software Languages		
291365 four presets 291626 three presets Americas (AM)	291366 four presets 291627 three presets European (EU)	291367 four presets 291628 three presets Scandinavian (SC)
English	English	English
Spanish	French	Finnish
French-Canadian	Dutch	Swedish
Portuguese	German	Norwegian
-	Italian	-

GDF14 Series Dispensers

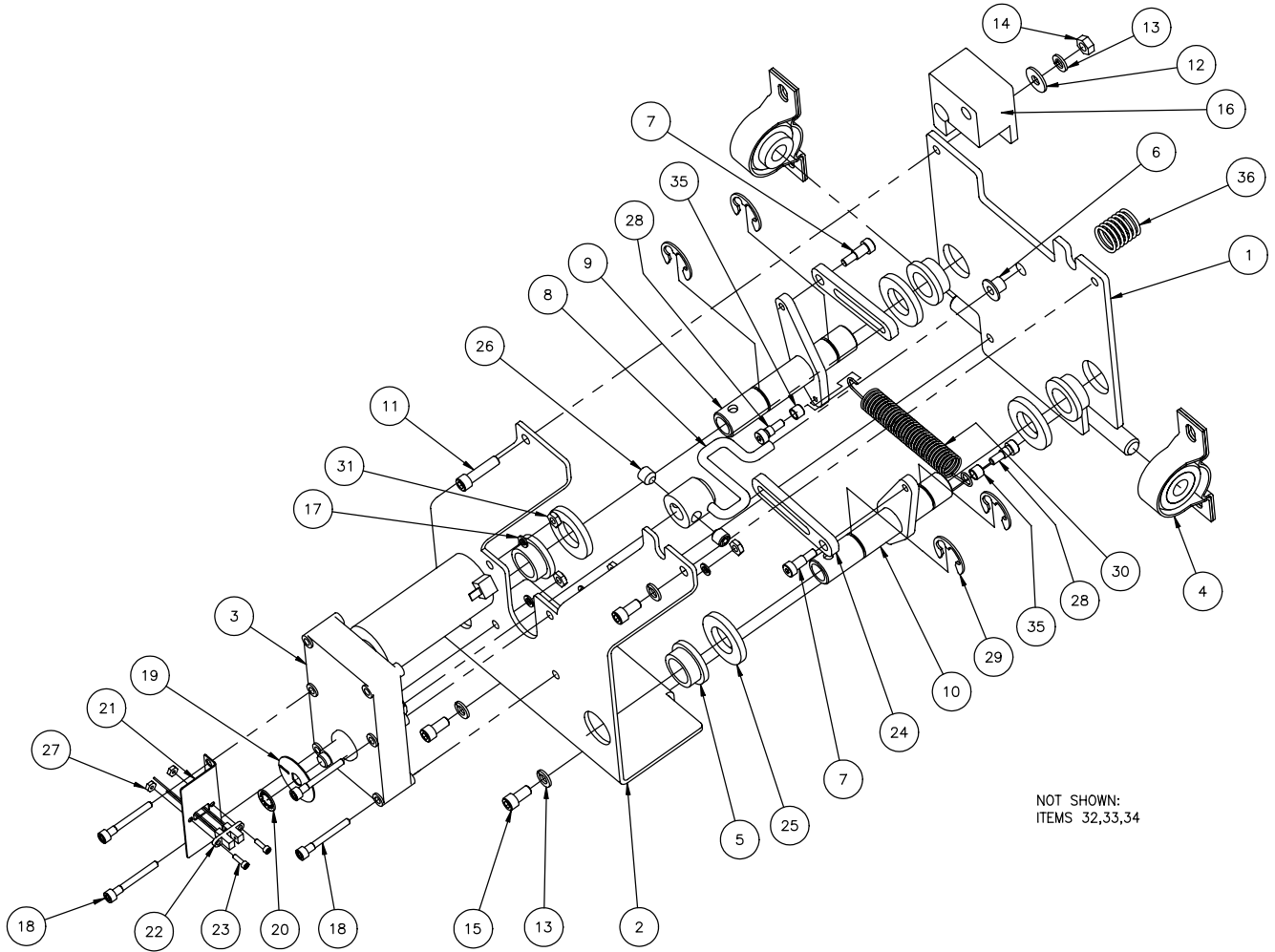
ACCUMULATOR DOORS ASSEMBLY



ITEM	DESCRIPTION	PART NUMBER	QUANTITY
1	Accumulator Drive Assembly	290512	1
2	Accumulator Door, Left Hand For model GDF14 For model GDF14E/EL	290483 291437	1
3	Accumulator Door, Right Hand For model GDF14 For model GDF14E/EL	290484 291438	1
4	Clevis Pin	202082	2
5	Hairpin Clip	202081	2
6	Accumulator, Collar	290603	2

GDF14 Series Dispensers

ACCUMULATOR DRIVE ASSEMBLY



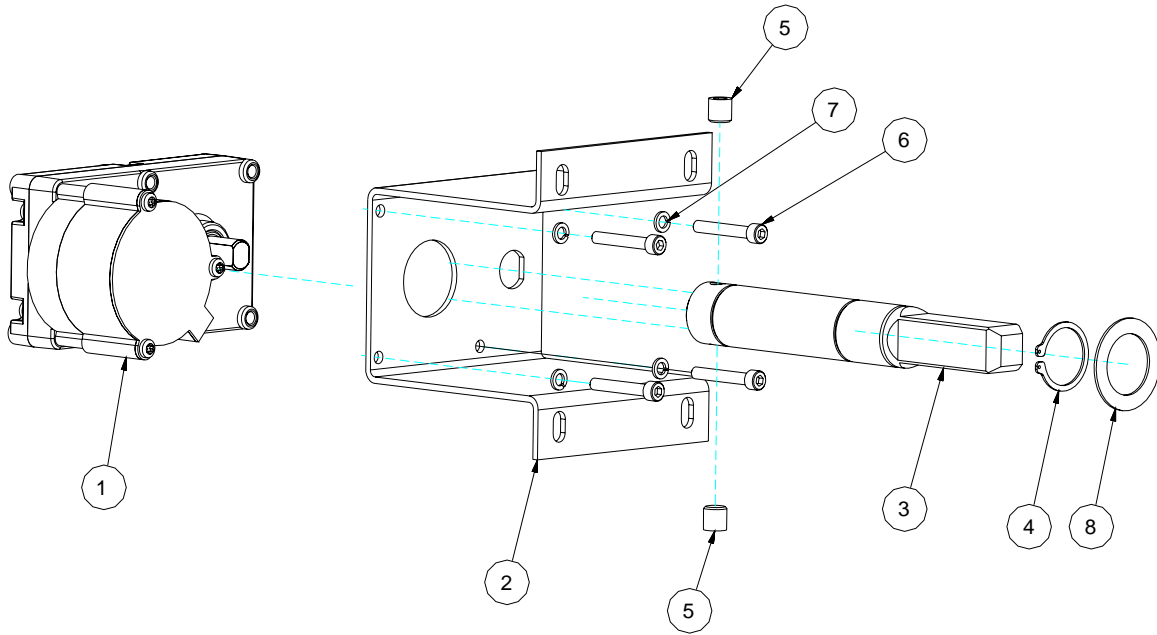
GDF14 Series Dispensers

Complete Accumulator Drive Assembly

ITEM	DESCRIPTION	PART NUMBER	QUANTITY
1	Accumulator assembly plate	290468	1
2	Accumulator cover	290469	1
3	Accumulator Gearmotor, 24 VDC, Kit	290629	1
4	Bearing	290477	2
5	Flange bearing, 3/4" x 1" x 3/4"	290517	4
6	Flange bearing, 1/4" x 3/8" x 1/2"	290518	1
7	Socket head shoulder screw, zinc plated, 5/16" x 3/8"	290294	2
8	Crank assembly	290472	1
9	Arm assembly, Left hand	290475	1
10	Arm assembly, Right hand	290476	1
11	Socket head cap screw, zinc plated, 1/4"-20 x 1"	213539	1
12	Flat washer, SAE standard, zinc plated, 1/4"	213141	1
13	Lock washer, zinc plated, 1/4"	213142	4
14	Hex nut, Grade 5, zinc plated, 1/4"-20	213260	1
15	Socket head cap screw, zinc plated, 1/4"-20 x 1/2"	213143	3
16	Assembly, magnet mount	290524	1
17	Lock washer, zinc plated, #10	213140	4
18	Socket head cap screw, zinc plated, 10-32 x 1 1/2"	213518	4
19	Vane, home registration	290505	1
	Kit, Vane, home registration (includes items 19 and 20)	290747	1
20	Self-locking retaining ring, 3/8"	290525	1
21	Mounting bracket, home sensor	290504	1
22	Wiring harness, accumulator home sensor	290627	1
23	Socket head cap screw, zinc plated, 4-40 x 3/8"	213663	2
24	Linkage, accumulator door	290478	2
25	Flat washer, zinc plated, 3/4" x 1 1/2"	290634	4
26	Socket head set screw, locking, zinc plated, 3/16"-24 x 3/16"	290653	2
27	Hex nut, zinc plated, 4-40	290529	2
28	Socket head shoulder screw, alloy steel, 1/4" x 1/4"	290635	2
29	E-style retaining ring, zinc plated, 3/4"	290531	4
30	Extension spring	203260	1
31	Hex nut, zinc plated, #10-32	213138	4
32	<i>Wiring harness, accumulator motor (not illustrated)</i>	290537	1
33	<i>Cable tie, nylon, 3-1/2" (not illustrated)</i>	213176	1
34	<i>Adhesive backed cable tie mount (not illustrated)</i>	213321	1
35	Plastic sleeve bearing, 1/4" x 5/16" x 1/4"	203259	2
36	Spring, Compression, Weighing System For model GDF14: For model GDF14E/EL:	290520 291356	1

GDF14 Series Dispensers

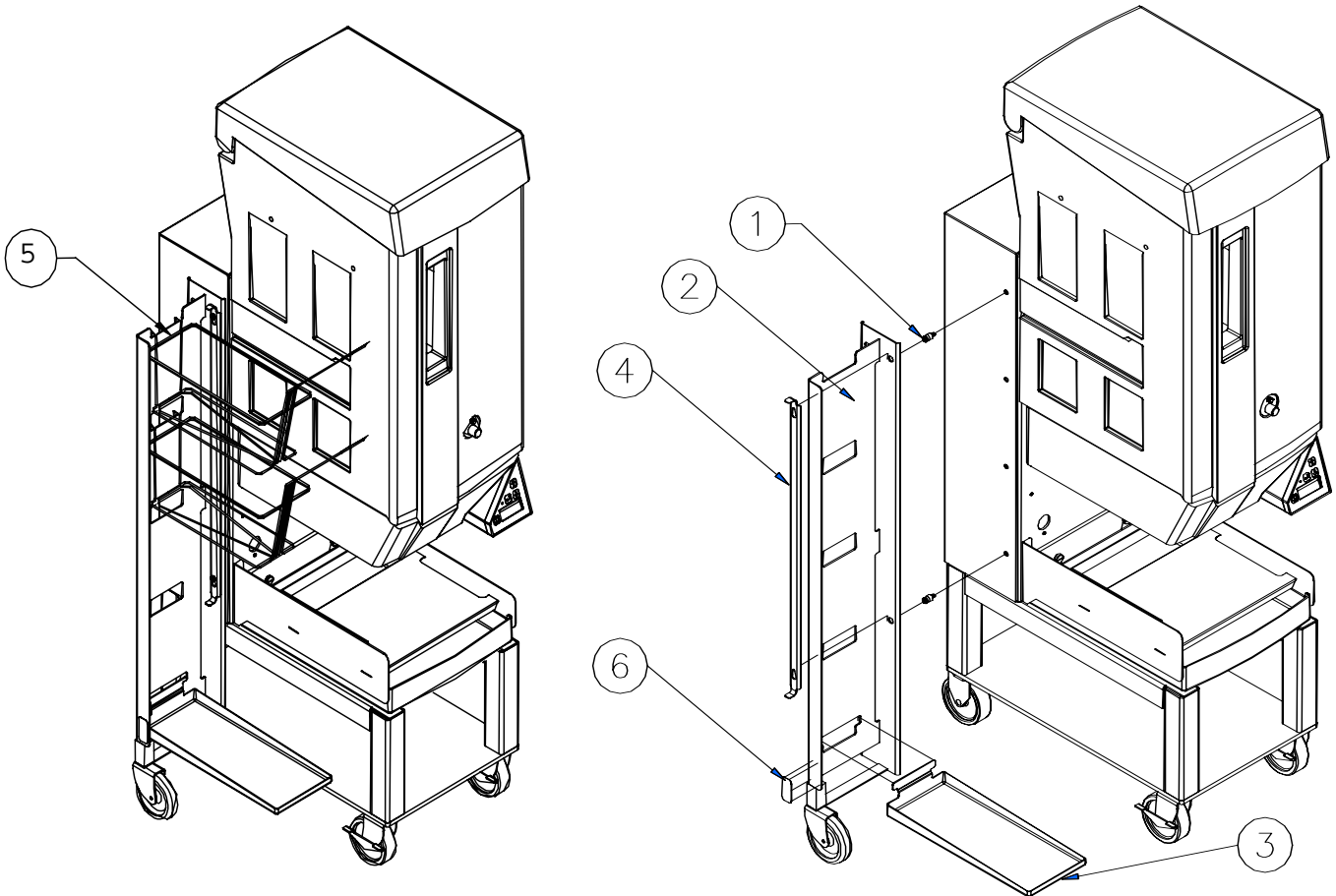
DRUM MOTOR DRIVE ASSEMBLY



ITEM	QTY	PART NUMBER	DESCRIPTION
1	1	292546	Kit, Gear Motor, 24VDC, Drum
2	1	202797	Mounting Bracket, Motor
3	1	203380	Drum Shaft
4	1	213911	Retaining Ring, External, Zinc Plated, 1"
5	2	290653	Set Screw, Socket Head, Cup Point, 3/8-24x3/8"
6	4	213136	Cap Screw, Socket Head, Zinc Plated, 10-32 x 1 1/4"
7	4	213140	Lock Washer, Zinc Plated, #10
8	1	202896	Flat Washer, Zinc Plated 1"x1 1/2" x .047"
9	1	290124	Harness, Distribution, 24VDC, 30"

GDF14 Series Dispensers

BASKET RACK ASSEMBLY GDF14 (OPTIONAL)



For a complete Basket Rack Assembly, order part no. 291041. Fry Baskets are not included in Assembly. (See Item 5 below).

BASKET RACK REPLACEMENT PARTS		
ITEM	DESCRIPTION	PART NUMBER
1	Basket Rack Mounting Screw	293433
2	Basket Rack Kit, Side Mount	291064
3	Drip Tray Only	291047
4	Locking Plate Only	291048
5	Custom Fry Basket (Recommend quantity of 6 per dispenser)	291050
6	NSF Certification Label	291096
-	Assembly Instructions, Side Mount Basket Rack	291065

NOTES:

- The information shown above applies to both the GDF14 and the GDF14E.
- Baskets are NOT included in standard Dispenser package.

GDF14 Series Dispensers

BASKET RACK ASSEMBLY GDF14EL

(OPTIONAL)

For a complete Basket Rack Assembly, order part no. 291041. Fry Baskets are not included in Assembly. (See Item 5 below).

BASKET RACK REPLACEMENT PARTS		
ITEM	DESCRIPTION	PART NUMBER
1	Basket Rack Mounting Screw	293433
2	Basket Rack Kit, Side Mount	291064
3	Drip Tray Only	291047
4	Locking Plate Only	291048
5 not shown	Custom Fry Basket (Recommend quantity of 6 per dispenser)	291050
-	Assembly Instructions, Side Mount Basket Rack	291065

- Baskets are NOT included in standard Dispenser package.

