

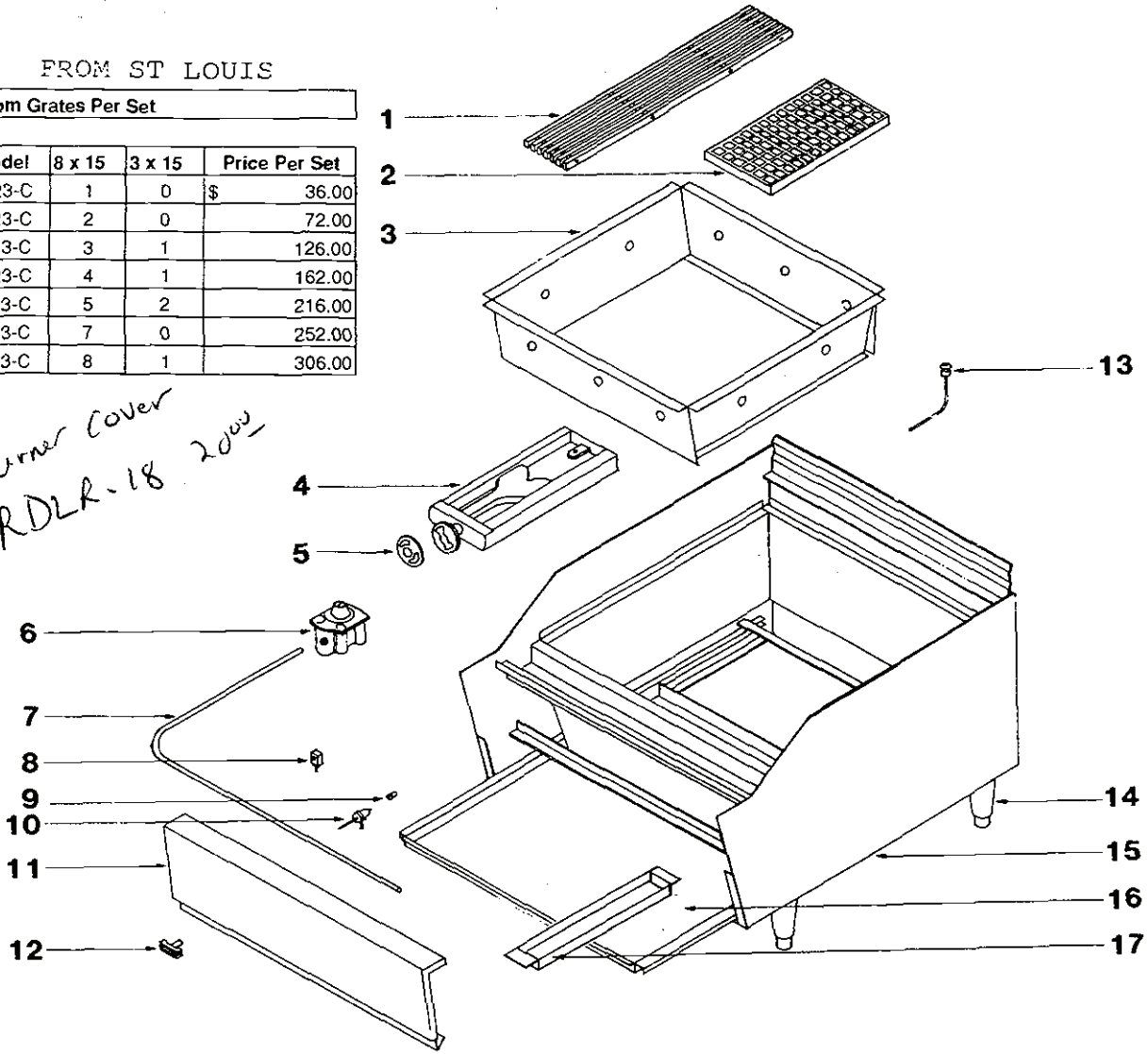
3223 3 1223 RANKIN-DELUX, INC. MODEL 2300 LAVA ROCK TYPE CHAR BROILER

FROM ST LOUIS

Bottom Grates Per Set

Model	8 x 15	3 x 15	Price Per Set
1223-C	1	0	\$ 36.00
2123-C	2	0	72.00
3223-C	3	1	126.00
4223-C	4	1	162.00
5223-C	5	2	216.00
6223-C	7	0	252.00
7223-C	8	1	306.00

*burner cover
RDLR-18 200w*



**WHEN ORDERING PARTS, PLEASE PROVIDE THE FOLLOWING INFORMATION:
A. MODEL NO. B. SERIAL NUMBER C. PART NO. D. TYPE OF GAS**

LAVA ROCK TYPE CHAR BROILERS

Item No.	Part No.	Description	Price
1	RDLR-01	Top Grate-5x21	\$ 38.00
1A	RDLR-01-A	Top Grate-6x21 (1223 Only)	42.00
2	RDLR-02	Bottom Grate -8x15	32.00
2A	RDLR-02-A	Bottom Grate -3x15	16.00
4	RDLR-04	Burner	62.00
6	RDLR-06-1/2"	Regulator-Natural Gas	26.00
6A	RDLR-06A-1/2"	Regulator-Propane Gas	26.00
6	RDLR-06-3/4"	Regulator-Natural Gas	26.00
6A	RDLR-06A-3/4"	Regulator-Propane Gas	26.00
8	RDLR-08	Pilot Valve-Single	10.00
8A	RDLR-08A	Pilot Valve-Double	12.00
9,9A,10	RDLR-10	Burner Valve w/Orifice <i>ADAT</i>	14.00
12	RDLR-12	Valve Knob	6.00
13	RDLR-13	Pilot Tube w/Tip	6.00
14	RDLR-14	Leg	12.00
17	RDLR-17	*Grease Pan	30.00

*Specify Size when ordering.

Item No.	Part No.	Description	Model No.	Price
3	RDLR-12-03	Firebox (Radiant Pan)	1223	\$ 34.00
3	RDLR-21-03	Firebox (Radiant Pan)	2123	48.00
3	RDLR-32-03	Firebox (Radiant Pan)	3223	62.00
3	RDLR-42-03	Firebox (Radiant Pan)	4223	78.00
3	RDLR-52-03	Firebox (Radiant Pan)	5223	94.00
3	RDLR-62-03	Firebox (Radiant Pan)	6223	118.00
3	RDLR-72-03	Firebox (Radiant Pan)	7223	138.00

Item No.	Part No.	Description	Model No.	Price
16	RDLR-12-16	Drip Tray	1223	38.00
16	RDLR-21-16	Drip Tray	2123	48.00
16	RDLR-32-16	Drip Tray	3223	58.00
16	RDLR-42-16	Drip Tray	4223	68.00
16	RDLR-52-16	Drip Tray	5223	78.00
16	RDLR-32-16	*Drip Tray (2 Required)	6223	58.00
16	RDLR-36-16	*Drip Tray (2 Required)	7223	66.00

* Older models use only one Drip Tray, please specify.

RDLR-10A → Burner Valve / LP