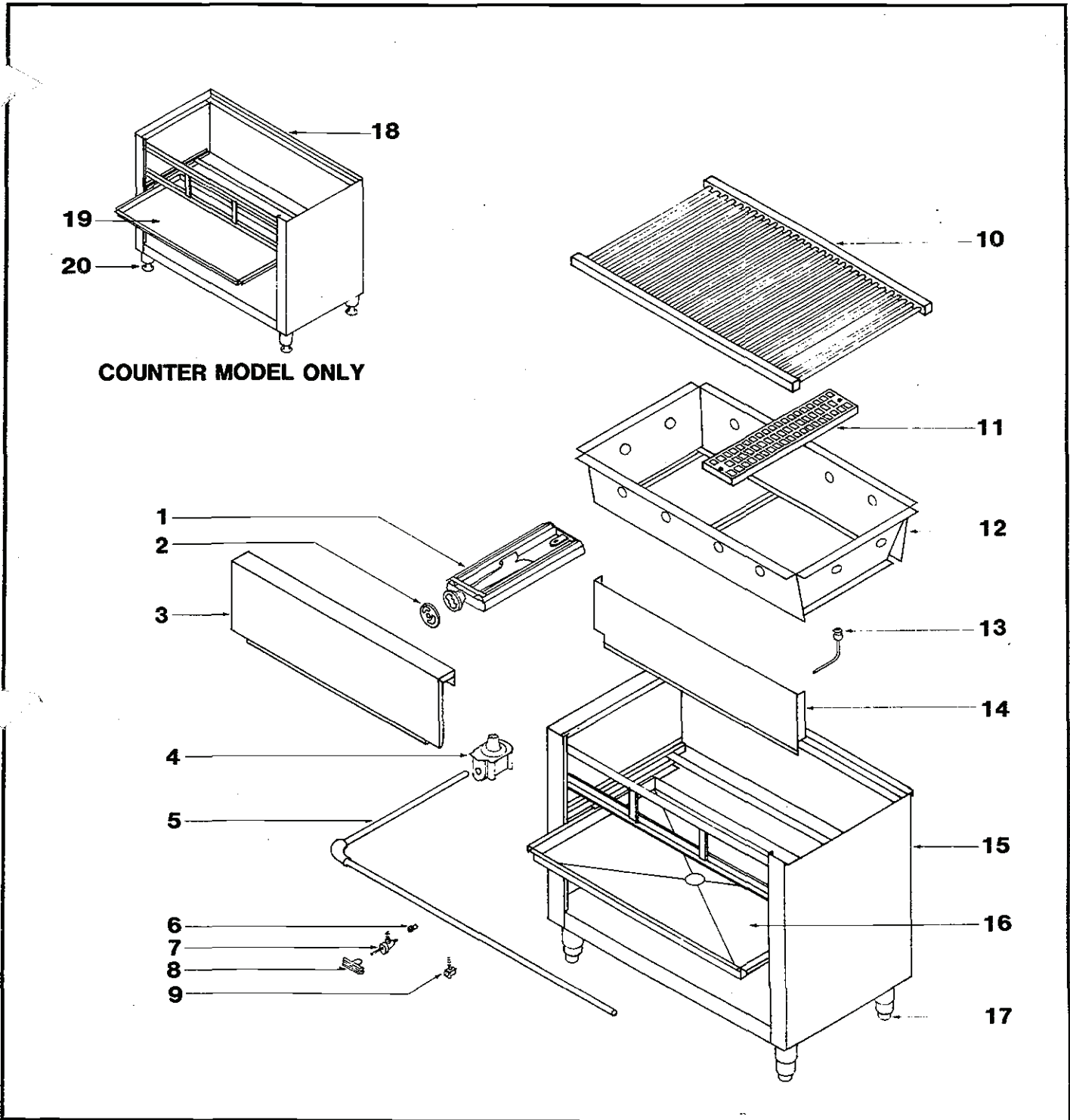


RANKIN-DELUX, INC. MODEL CB CERAMIC TYPE CHAR BROILER



COUNTER MODEL ONLY

WHEN ORDERING PARTS, PLEASE PROVIDE THE FOLLOWING INFORMATION:
 A. MODEL NO. B. SERIAL NUMBER C. PART NO. D. TYPE OF GAS

CHICKEN CHAR BROILER			
Item No.	Part No.	Description	Price
1	RDCB-01	Burner	\$ 98.00
4	RDCB-04	Regulator - Natural	26.00
4A	RDCB-04A	Regulator - Propane	26.00
6/6A/7	RDCB-07	Burner Valve w/Orifice	14.00
8	RDCB-08	Valve Knob	6.00
9	RDCB-09	Pilot Valve	12.00
10	RDCB-10	Top Grate	468.00
11	RDCB-11	Bottom Grate	28.00
12	RDCB-12	Fire Box	120.00
14	RDCB-14	Pilot Tube w/Tip	8.00
16/19	RDCB-16	Drip Tray	120.00