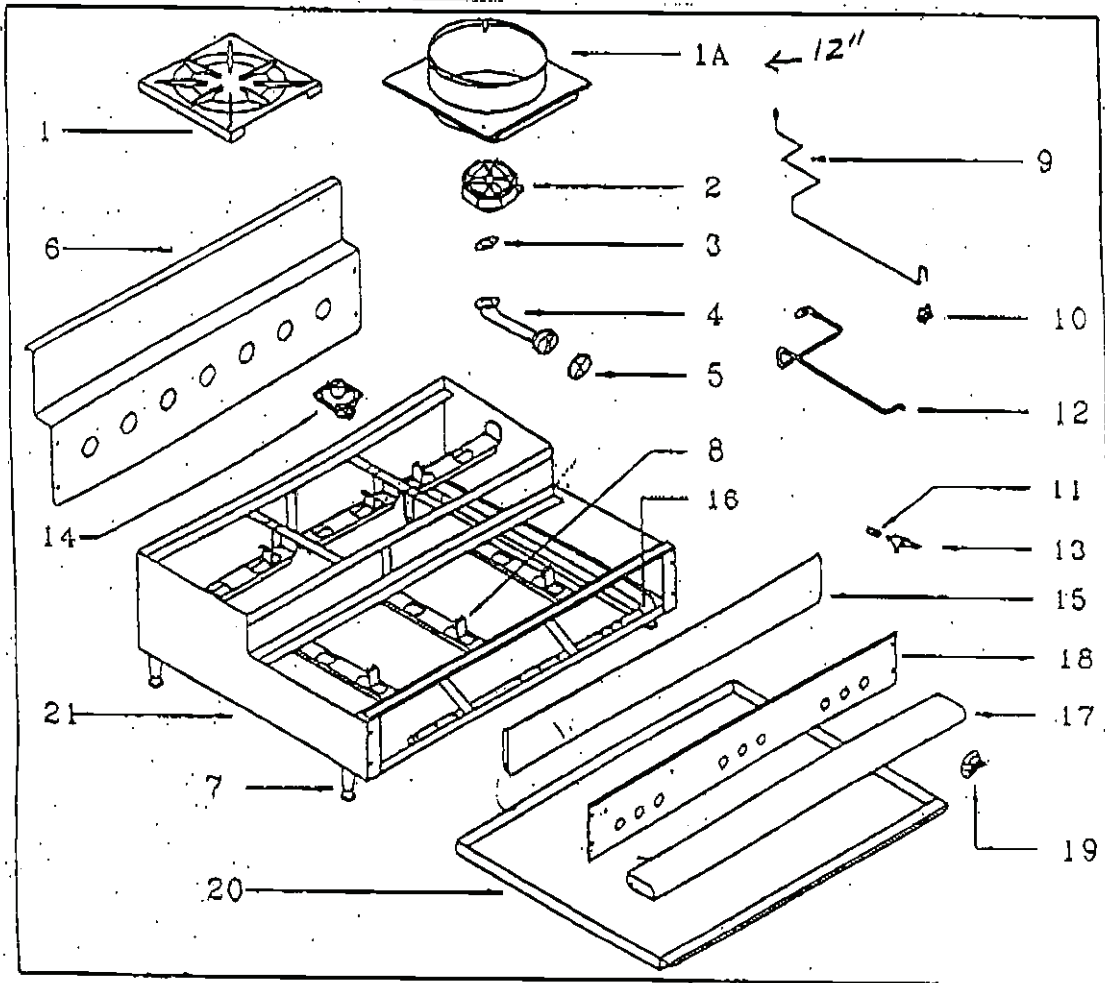


**RANKIN-DELUX ORIENTAL STEP-UP FLEX SYSTEM**

*att. Curt*



| ITEM | PART NO  | DESCRIPTION                | LIST   | ITEM | PART NO    | DESCRIPTION                 | LIST  |
|------|----------|----------------------------|--------|------|------------|-----------------------------|-------|
| 1    | ORSU-01  | TOP GRATE 12 X 12          | 64.00  | 14   | ORSU-14    | REGULATOR, NATURAL GAS      | 26.00 |
| 1    | ORSU-01A | WOK RING TOP               | 126.00 | 14   | ORSU-14A   | REGULATOR, LP GAS           | 26.00 |
| 2    | ORSU-02  | BURNER HEAD                | 48.00  | 15   | ORSU-15    | MIDDLE PLATE -SPECIFY MODEL |       |
| 3    | ORSU-03  | BURNER GASKET              | 2.00   | 16   | ORSU-16    | MANIFOLD -SPECIFY MODEL     |       |
| 4    | ORSU-04  | VENTURI W/AIR SHUTTER      | 16.00  | 17   | ORSU-17    | FRONT CAP -SPECIFY MODEL    |       |
| 5    | ORSU-05  | AIR SHUTTER ONLY           | 3.00   | 18   | ORSU-18    | FRONT PANEL -SPECIFY MODEL  |       |
| 6    | ORSU-06  | BACK PLATE -SPECIFY MODEL  |        | 19   | ORSU-19    | VALVE KNOB                  | 8.00  |
| 7    | ORSU-07  | LEG W/ADJUSTABLE FOOT      | 14.00  | 20   | ORSU-12-20 | DRIP TRAY, ORSU-212         | 28.00 |
| 8    | ORSU-08  | PILOT BRACKET              | 6.00   | 20   | ORSU-24-20 | DRIP TRAY, ORSU-424         | 42.00 |
| 9    | ORSU-09  | PILOT TUBE W/TIP, REAR     | 11.00  | 20   | ORSU-36-20 | DRIP TRAY, ORSU-636         | 56.00 |
| 9    | ORSU-09A | PILOT TUBE W/TIP, FRONT    | 9.00   | 20   | ORSU-48-20 | DRIP TRAY, ORSU-848         | 70.00 |
| 10   | ORSU-10  | PILOT ADJUSTMENT VALVE     | 12.00  | 21   | ORSU-21    | UNIT BODY, SPECIFY MODEL    |       |
| 11   | ORSU-11  | ORIFICE ONLY, NAT          | 2.00   |      |            |                             |       |
| 11   | ORSU-11A | ORIFICE ONLY, LP           | 2.00   |      |            |                             |       |
| 12   | ORSU-12  | ALUM. TUBING W/COMP-4 BEND | 24.00  |      |            |                             |       |
| 12   | ORSU-12A | ALUM. TUBING W/COMP-6 BEND | 24.00  |      |            |                             |       |
| 13   | ORSU-13  | GAS VALVE /NO ORIFICE      | 12.00  |      |            |                             |       |