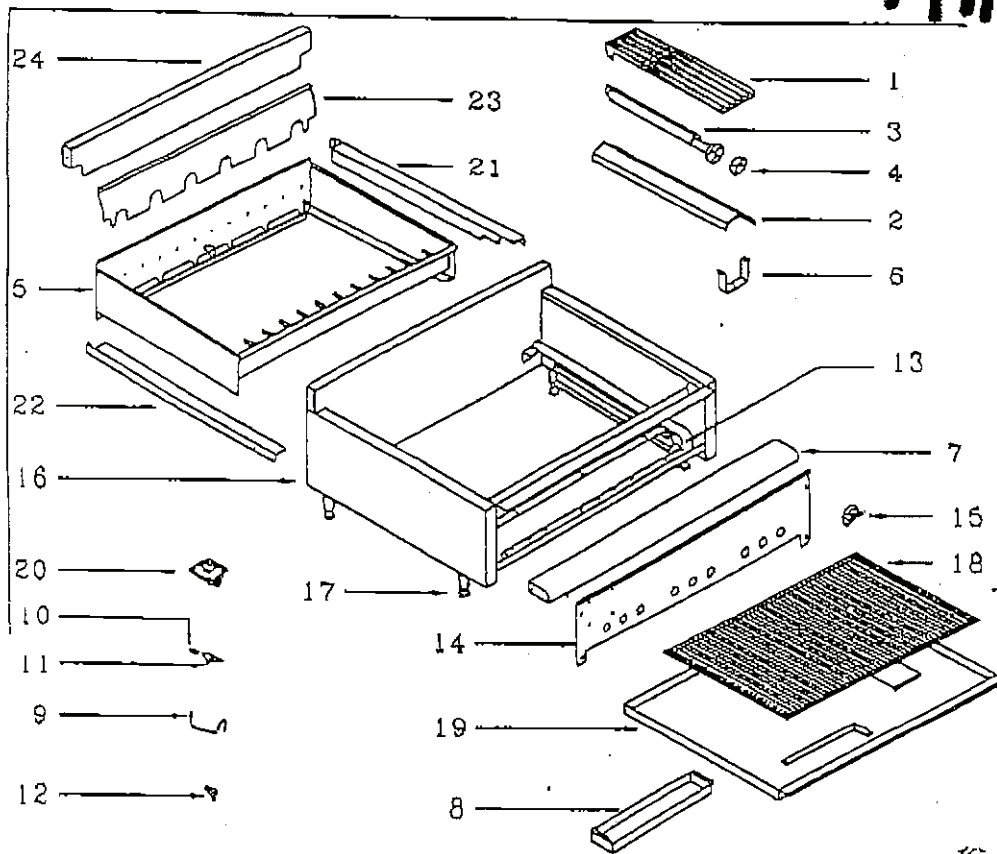


RANKIN-DELUX RB8 RADIANT BROILER

Att.  
Shery!



ITEM	PART NO	DESCRIPTION	LIST	ITEM	PART NO	DESCRIPTION	LIST
1	RB-01	GRATE 5 X 23	74.00	16	RB-16	BODY, SPECIFY MODEL	
1	RB-01A	FLATE FISH GRATE	48.00	17	RB-17	LEG	12.00
2	RB-02	RADIANT, CAST IRON	36.00	18	RB-15-18	CRUMB SCREEN FOR RB-815	42.00
3	RB-03	BURNER	48.00	18	RB-21-18	CRUMB SCREEN FOR RB-821	54.00
4	RB-04	AIR SHUTTER ONLY	3.00	18	RB-25-18	CRUMB SCREEN FOR RB-825	60.00
5	RB-15-05	RADIANT PAN FOR RB-815	66.00	18	RB-30-18	CRUMB SCREEN FOR RB-830	70.00
5	RB-21-05	RADIANT PAN FOR RB-821	78.00	18	RB-36-18	CRUMB SCREEN FOR RB-836	82.00
5	RB-25-05	RADIANT PAN FOR RB-825	90.00	18	RB-41-18	CRUMB SCREEN FOR RB-841	92.00
5	RB-30-05	RADIANT PAN FOR RB-830	100.00	18	RB-46-18	CRUMB SCREEN FOR RB-846	104.00
5	RB-36-05	RADIANT PAN FOR RB-836	112.00	18	RB-60-18	CRUMB SCREEN FOR RB-860	124.00
5	RB-41-05	RADIANT PAN FOR RB-841	122.00	18	RB-72-18	CRUMB SCREEN (2) FOR RB-872	EACH 82.00
5	RB-46-05	RADIANT PAN FOR RB-846	132.00	18	RB-84-18	CRUMB SCREEN (2) FOR RB-884	EACH 92.00
5	RB-60-05	RADIANT PAN FOR RB-860	156.00	19	RB-15-19	DRIP TRAY FOR RB-815	40.00
5	RB-72-05	RADIANT PAN FOR RB-872	180.00	19	RB-21-19	DRIP TRAY FOR RB-821	46.00
5	RB-84-05	RADIANT PAN FOR RB-884	210.00	19	RB-25-19	DRIP TRAY FOR RB-825	50.00
6	RB-06	PILOT BRACKET	6.00	19	RB-30-19	DRIP TRAY FOR RB-830	58.00
7	RB-07	FRONT CAP - SPECIFY MODEL		19	RB-36-19	DRIP TRAY FOR RB-836	64.00
8	RB-08	GREASE PAN	28.00	19	RB-41-19	DRIP TRAY FOR RB-841	70.00
9	RB-09	PILOT TUBE W/TIP	9.00	19	RB-46-19	DRIP TRAY FOR RB-846	76.00
10	RB-10	ORIFICE ONLY, NATURAL	2.00	19	RB-60-19	DRIP TRAY (2) FOR RB-860, EACH	58.00
10	RB-10A	ORIFICE ONLY, LP	2.00	19	RB-72-19	DRIP TRAY (2) FOR RB-872, EACH	64.00
11	RB-11	BURNER VALVE W/ORF, NAT	14.00	19	RB-84-19	DRIP TRAY (2) FOR RB-884, EACH	70.00
11	RB-11A	BURNER VALVE W/ORF, LP	14.00	20	RB-20	REGULATOR, NATURAL GAS	26.00
12	RB-12	PILOT ADJ VALVE, DOUBLE	12.00	20	RB-20A	REGULATOR, LP GAS	26.00
12	RB-12A	PILOT ADJ VALVE, SINGLE	10.00	21	RB-21	RIGHT SIDE CAP, SPECIFY MODEL	
13	RB-13	MANIFOLD -SPECIFY MODEL		22	RB-22	LEFT SIDE CAP, SPECIFY MODEL	
14	RB-14	FRONT PANEL, SPECIFY MODEL		23	RB-23	HEAT SHIELD, SPECIFY MODEL	
15	RB-15	VALVE KNOB	8.00	24	RB-24	BACK CAP, SPECIFY MODEL	

BEGINNING WITH B7081 / NO CRUMB SCREEN