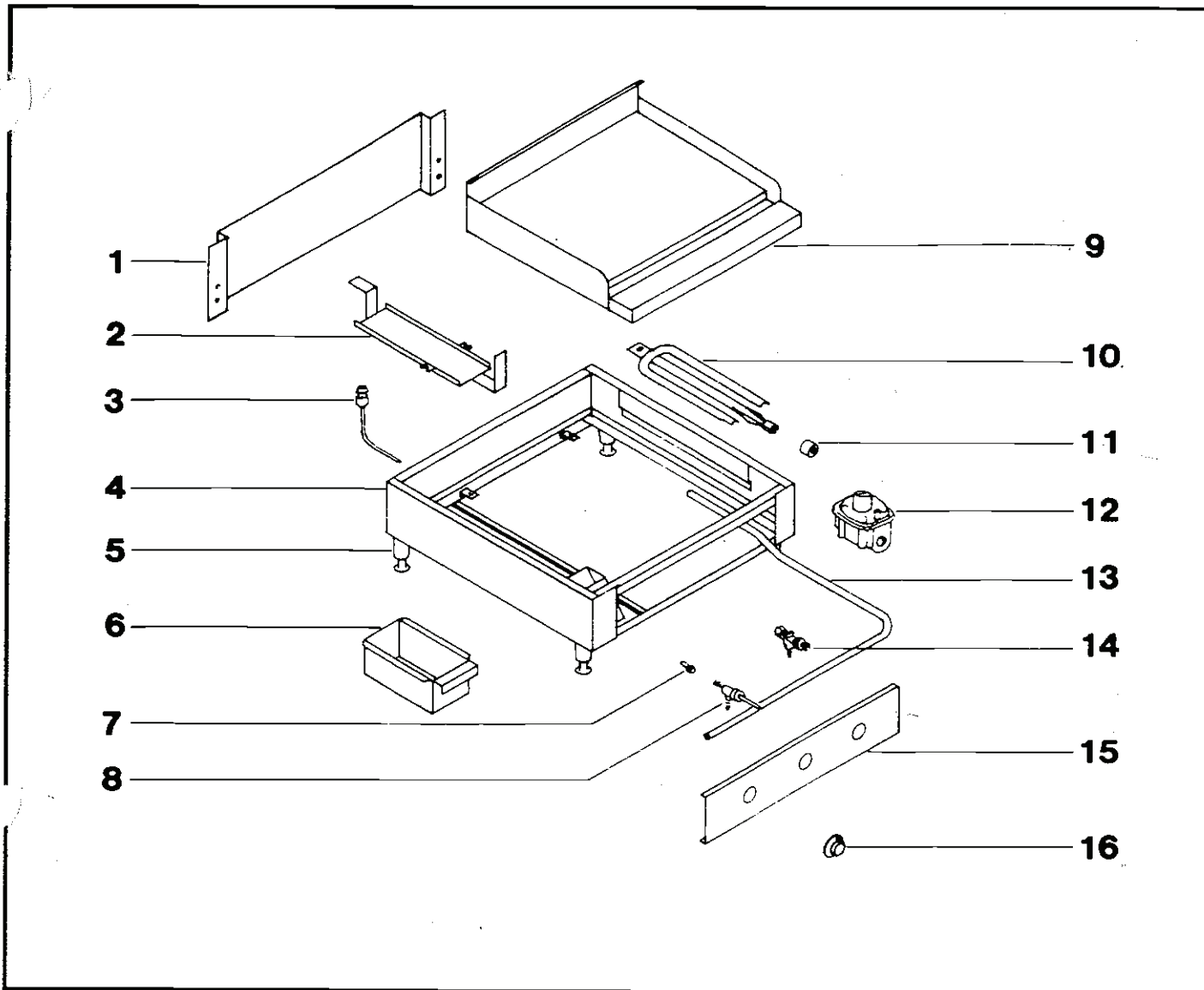


# RANKIN-DELUX, INC. MODEL RDGM MANUAL CONTROL GRIDDLE



WHEN ORDERING PARTS, PLEASE PROVIDE THE FOLLOWING INFORMATION:  
 A. MODEL NO. B. SERIAL NUMBER C. PART NO. D. TYPE OF GAS

## MODEL RDGM GRIDDLE-MANUAL CONTROL

Item No.	Part No.	Description	Price
3	RDGM-03	Lighter Tube w/Tip	\$ 9.00
5	RDGM-05	Leg	14.00
6	RDGM-06	Grease Drawer	34.00
7,7A,8	RDGM-08	Burner Valve w/Orifice	14.00
10	RDGM-10	Burner	54.00
12	RDGM-12	Regulator-Nat. Gas	26.00
12A	RDGM-12A	Regulator-Propane Gas	26.00
14	RDGM-14	Pilot Valve-Double	12.00
14A	RDGM-14A	Pilot Valve-Single	10.00
16	RDGM-16	Valve Knob	8.00

## MODEL RDGM-18 GRIDDLE-MANUAL CONTROL

Item No.	Part No.	Description	Price
3	RDGM-03	Lighter Tube w/Tip	\$ 9.00
5	RDGM-05	Leg	14.00
6	RDGM-18-06	Grease Drawer	34.00
7,7A,8	RDGM-08	Burner Valve w/Orifice	14.00
10	RDGM-18-10	Burner	48.00
12	RDGM-12	Regulator-Nat. Gas	26.00
12A	RDGM-12A	Regulator-Propane Gas	26.00
14	RDGM-14	Pilot Valve-Double	12.00
14A	RDGM-14A	Pilot Valve-Single	10.00
16	RDGM-16	Valve Knob	8.00