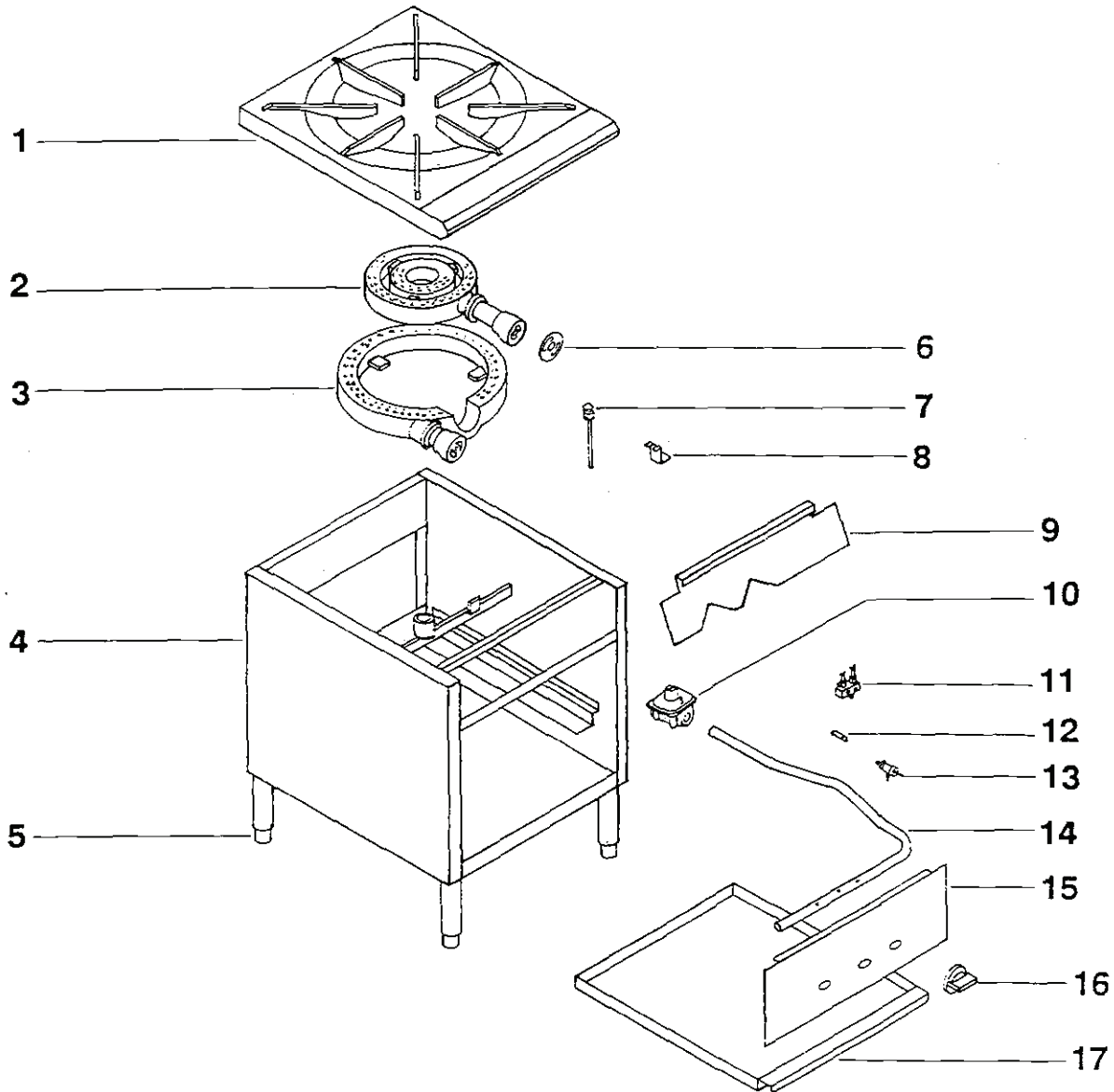


# RANKIN-DELUX, INC. MODEL SSPR SUPER STOCK POT RANGE



WHEN ORDERING PARTS, PLEASE PROVIDE THE FOLLOWING INFORMATION:  
 A. MODEL NO. B. SERIAL NUMBER C. PART NO. D. TYPE OF GAS

RANGE - MODEL SSPR			
Item No.	Part No.	Description	Price
1	SSPR-01	Top Grate 18" x 22"	\$ 198.00
2	SSPR-0203	Burner Head, Complete	198.00
5	SSPR-05	Adjustable Foot	14.00
7	SSPR-07	Lighter Tube w/tip	10.00
8	SSPR-08	Lighter Bracket	6.00
9	SSPR-09	Front Heat Shield	28.00
10	SSPR-11	Regulator-Nat. 110	26.00
10A	SSPR-11A	Regulator-LP, 110/220	26.00
10B	SSPR-11B	Regulator-Nat. 220	

Item No.	Part No.	Description	Price
11	SSPR-11	Dual Pilot Valve	12.00
11A	SSPR-11A	Single Pilot Valve	10.00
12	SSPR-12	Orifice (Natural Gas)	2.00
12A	SSPR-12A	Orifice (Propane Gas)	2.00
13	SSPR-13	Burner Valve w/o Orifice	12.00
16	SSPR-16	Valve Knob	6.00
17	SSPR-17	Drip Tray, 110	34.00
17A	SSPR-17A	Drip Tray, 220	50.00