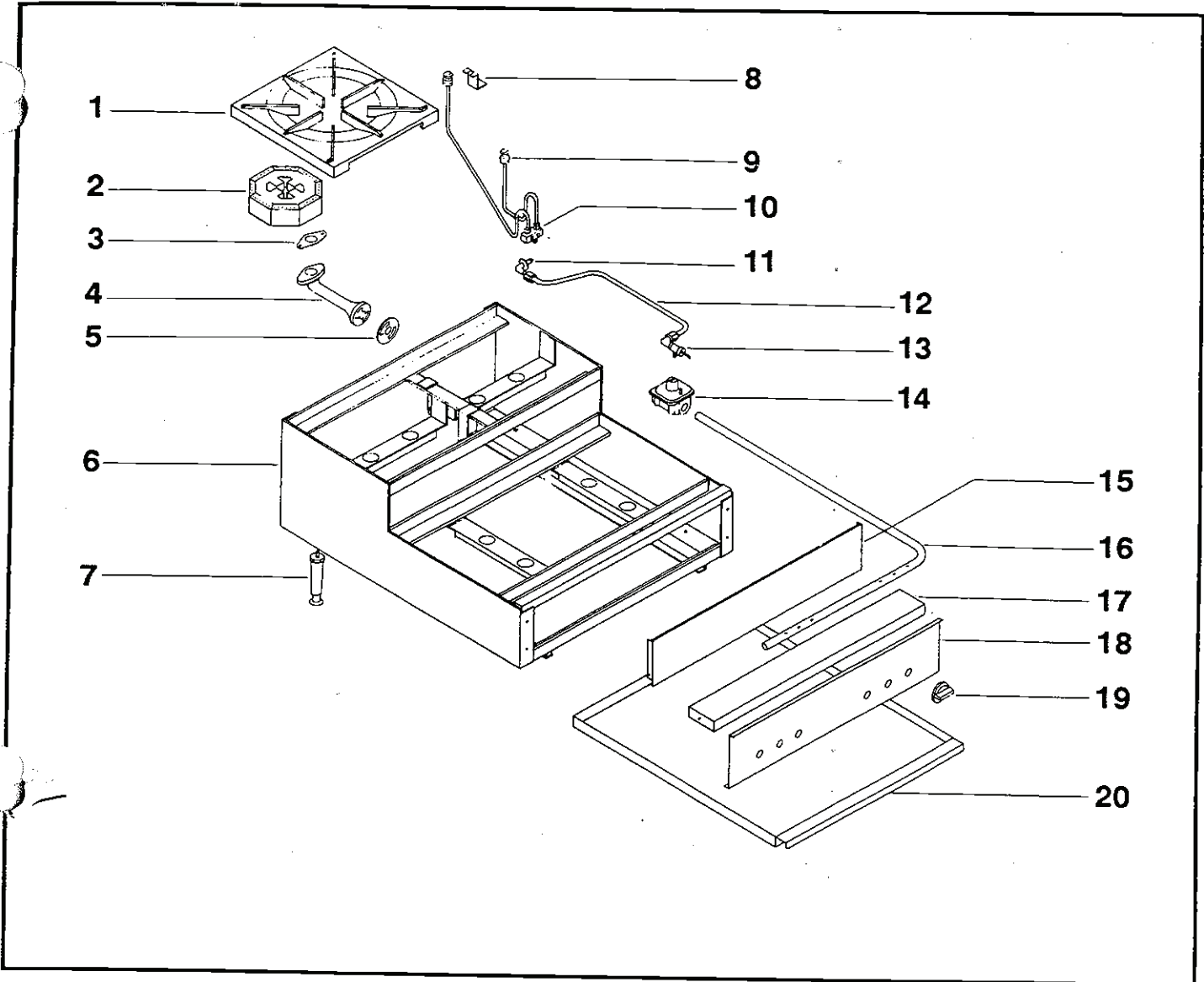


# RANKIN-DELUX, INC. MODEL SUHP OPEN BURNER HOT PLATE



WHEN ORDERING PARTS, PLEASE PROVIDE THE FOLLOWING INFORMATION:  
 A. MODEL NO. B. SERIAL NUMBER C. PART NO. D. TYPE OF GAS

## OPEN BURNERS / MODEL SUHP CORRECTED COPY

Item No.	Part No.	Description	Price	Item No.	Part No.	Description	Price
1	SUHP-01	Top Grate	\$ 50.00	11A	SUHP-11A	Orifice (Propane)	2.00
2	SUHP-02	Burner Head	48.00	12	SUHP-12	Submanifold A	
3	SUHP-03	Burner Gasket	2.00	12A	SUHP-12A	Submanifold B	
4	SUHP-04/05	Venturi w/Shutter	16.00	13/11/11A	SUHP-13	Burner Valve & Orifice	12.00
6	SUHP-06	Body	n/a	14	SUHP-14	Regulator (Natural)	26.00
7	SUHP-07	Regulator-Natural	26.00	14A	SUHP-14A	Regulator (Propane)	26.00
7A	SUHP-07A	Regulator-Propane Gas	26.00	19	SUHP-19	Valve Knob	8.00
8	SUHP-08	Lighter Bracket	6.00	20	SUHP-20-12	Drip Pan, Model 212	28.00
9	SUHP-09	Lighter Tube w/Tip (Rear)	9.00	20	SUHP-20-24	Drip Pan, Model 424	42.00
	SUHP-09A	Lighter Tube w/Tip (Front)	11.00	20	SUHP-20-36	Drip Pan, Model 636	56.00
	SUHP-10	Lighter Valve (Double)	12.00	20	SUHP-20-48	Drip Pan, Model 848	70.00
11	SUHP-11	Orifice (Natural)	2.00				