

Combination Cutter-Mixer & Continuous Feed Vegetable Prep with Dicing Capability.



Prepare 850 servings in 3 hours or less!

Vegetable prep attachment designed for quality continuous feed **slicing, dicing, shredding, grating, and julienne**. Accommodates 21 different processing discs and 3 size dicing kits.

Bowl attachment designed for vertical cutting and mixing: **mix, chop, puree, and blend**.



Also, available with Clear Bowl (R2 CLR Dice) or Stainless Steel Bowl (R2Dice Ultra)

- Powerful direct drive, fan-cooled 2 HP Motor.
- 3 Qt. "stock pot" shaped cutter bowl with handle, sabitier "S" blade, and see-thru lid with introduction port which allows user to add ingredients while machine is processing.
- Continuous feed vegetable prep attachment with two deep feed openings. One for larger produce and one for smaller, more delicate produce.
- Attachments easily removed for optimum sanitation.
- Standard model includes 2 stainless steel processing discs and 10mm dicing kit.
- "On-Off" and pulse switches for more user control.
- Accommodates a large selection of 21 different processing discs and 3 size dicing kits to choose from for a large variety of cuts and sizes.
- Space saving unit base uses 15 3/4" x 8 3/4" of counter space.
- 3 Year motor warranty.
- 1 year parts and labor warranty.



Robot Coupe U.S.A., Inc.
P.O. Box 16625
Jackson, MS 39236-6625
1-800-824-1646 • (601) 898-8411
FAX: (601) 898-9134
www.robotcoupeusa.com • e-mail: info@robotcoupeusa.

Specifications

STANDARD MODEL: Includes motor base unit, continuous feed attachment, discharge plate, one 5/32" (4mm) slicing disc, one 5/64" (2mm) medium grating disc, one 10mm Dicing Kit and 3 Qt. bowl with handle including stainless steel smooth edge "S" blade.

ELECTRICAL REQUIREMENTS: 120V, 60HZ, 13 Amps.

SWITCHING: Control panel with push-type on and off, and pulse buttons.

MOTOR: 2 HP, 1725 RPM, direct-drive, fan-cooled.

WEIGHT: 35 lbs. approximate shipping weight.

Available Discs

Slicing Discs

- 27051 - 1/32" (1mm)
- 27555 - 5/64" (2mm)
- 27086 - 1/8" (3mm)
- 27566 - 5/32" (4mm)
- 27087 - 3/16" (5mm)
- 27786 - 1/4" (6mm)

Ripple Cut Slicers

- 27621 - 5/64" (2mm)

Graters

- 27588 - 1/16" (1.5mm)
- 27577 - 5/64" (2mm)
- 27511 - 1/8" (3mm)
- 27046 - 1/4" (6mm)
- 27632 - 11/32" (9mm)
- 27078 - Hard Cheese Grate

Pulping

- 27079 - Fine pulping disc
- 27764 - Pulping disc

Julienne

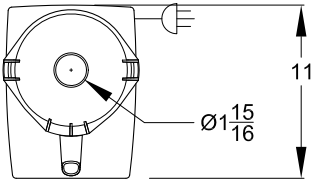
- 27599 - 5/64" (2x2mm)
- 27080 - 5/64" x 5/32" (2x4mm)
- 27081 - 5/64"x1/4" (2x6mm)
- 27047 - 5/32" (4x4mm)
- 27610 - 1/4" (6x6mm)
- 27048 - 5/16" (8x8mm)

Dicing Kits

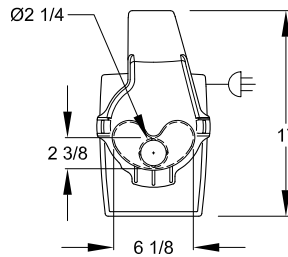
- 27264 - 8 x 8mm
- 27265 - 10 x 10mm
- 27290 - 12 x 12mm

OPTIONAL EQUIPMENT: 19 additional processing discs, 2 size dicing kits, and free standing multiple slot disc rack.

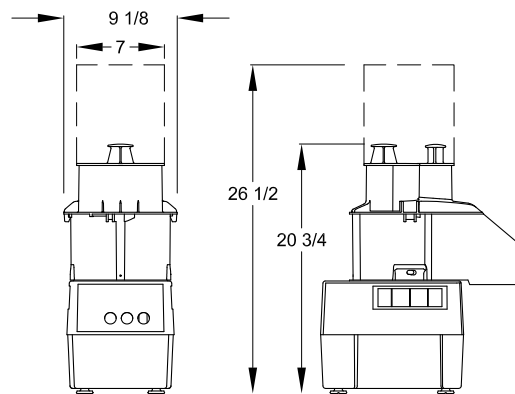
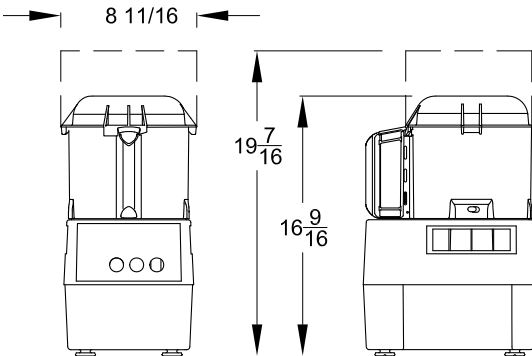
STANDARDS: ETL electrical & sanitation, cETL (Canada)



Bowl Unit



Continuous Feed Unit



Robot Coupe U.S.A., Inc.
 P.O. Box 16625
 Jackson, MS 39236-6625
 1-800-824-1646
 (601) 898-8411
 FAX: (601) 898-9134
 www.robotcoupeusa.com
 e-mail: info@robotcoupeusa.com

Distributed by: