

Salvajor Offset Chute

FOR MODELS: 75 - 100 - 150 - 200 - 300 - 500 - 750

SPECIFICATIONS:

- SPECIFICALLY DESIGNED FOR CORRECTIONAL/INSTITUTIONAL USE
- PREVENTS ACCIDENTAL INSERTION OF HANDS AND OTHER FOREIGN OBJECTS
- MADE OF CORROSION-RESISTANT STAINLESS STEEL
- EFFICIENTLY LOCATED FIXED NOZZLES FOR THOROUGH FLUSHING OF FOOD WASTE INTO DISPOSER, USING A MINIMUM AMOUNT OF WATER

FOR USE WITH:

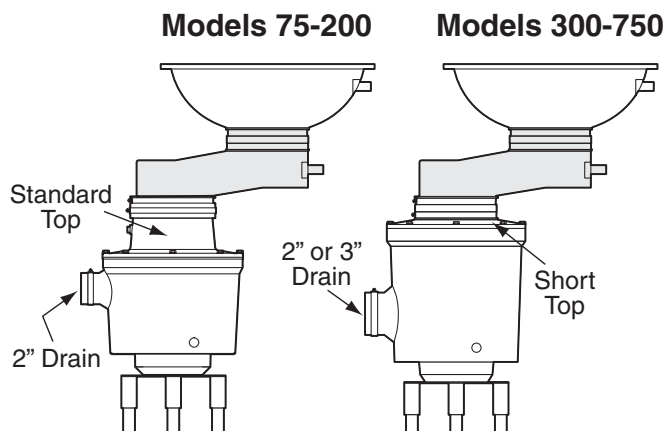
SA: Sink Assembly 3 1/2" or 6 1/2"

CA: Cone Assembly 12", 15" or 18"

SAMPLE SPECIFICATION

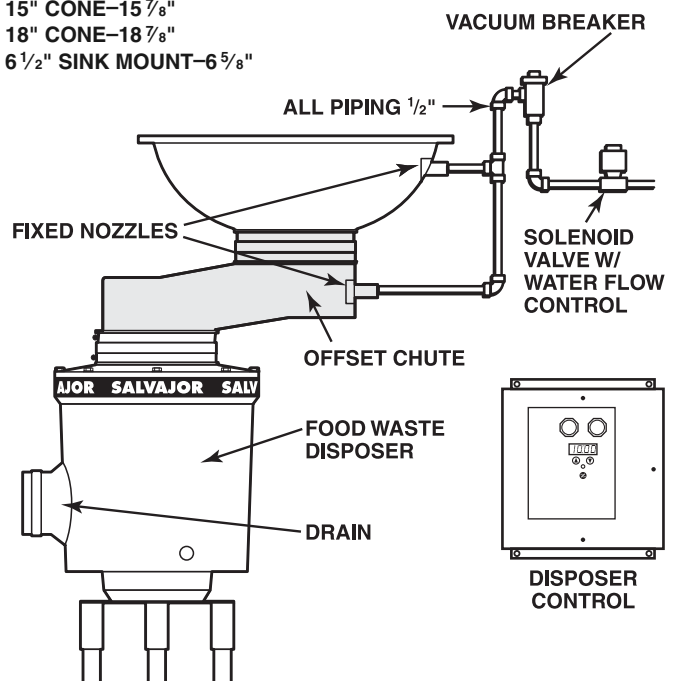
500-CA-18-OFC		ARSS (460/60/3)	
Model	Cone Size	Disposer Control	Electrical Specs.
Assembly		Offset Chute	
Offset Chute			

(Specifications subject to change without notice)
Current specification details may be found online at www.salvajor.com



Cone Assembly

TABLE CUT-OUT:
12" CONE-12 7/8"
15" CONE-15 7/8"
18" CONE-18 7/8"
6 1/2" SINK MOUNT-6 5/8"

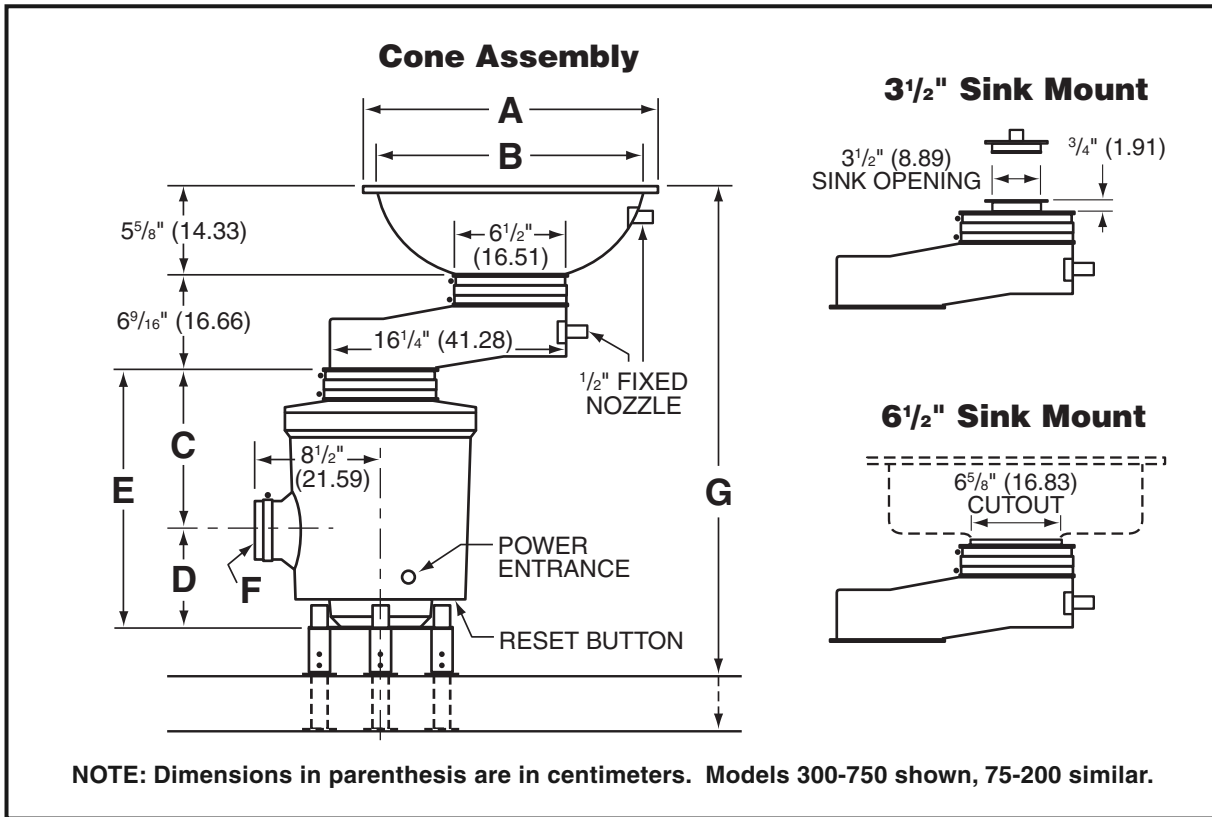


NOTE: INSTALL PER ALL APPLICABLE CODES

Salvajor Offset Chute

D E T A I L S A N D D I M E N S I O N S

FOR MODELS: 75 - 100 - 150 - 200 - 300 - 500 - 750



Cone Dimensions			
	12" Cone	15" Cone	18" Cone
A	14-7/8" (37.78)	17-7/8" (45.40)	20-7/8" (53.02)
B	12" (30.48)	15" (38.10)	18" (45.72)

Dimensions		
	Models 75-200	Models 300-750
C	8-1/2" (21.64)	10-3/4" (27.24)
D	7-5/16" (18.55)	6-5/16" (16.06)
E	15-13/16" (40.19)	17-1/16" (43.31)
F	2" Drain	2" or 3" Drain
G	31-1/4" to 35-5/8" (79.42 to 90.54)	32-1/2" to 36-7/8" (82.54 to 93.65)



The Salvajor Company 4530 East 75th Terrace Kansas City, Missouri 64132-2081, USA
 1-800-SALVAJOR (816) 363-1030 FAX: 1-800-832-9373
 www.salvajor.com Email: sales@salvajor.com service@salvajor.com
 Manufacturers of Commercial Food Waste Disposing Systems since 1944