

Salvajor Model MSS & MSS-LD

MANUAL START/STOP

PRE-WIRED CONTROL PANEL FOR MODELS:

75 - 100 - 150 - 200 - 300 - 500 - 750

SPECIFICATIONS:

- NEMA 4 Stainless Steel Corrosion-Resistant Enclosure
- Magnetic Contactor
- Start/Stop Push Buttons
- Terminal Strip Connections

OPTIONAL:

- Line Disconnect (LD)

VOLTAGES AVAILABLE:

1-PHASE

115 VOLT, 208-230 VOLT

3-PHASE

208-230 VOLT, 460 VOLT*

*When over 250 volts, we recommend using Model ARSS-2 or ARSS with 24 Volt Control Transformer.

◆ SPECIFY EXACT OPERATING VOLTAGE ◆

ACCESSORIES AVAILABLE:

- #980104 Mounting Bracket for MSS & MSS-LD

(Specifications subject to change without notice)

SAFETY FEATURE:

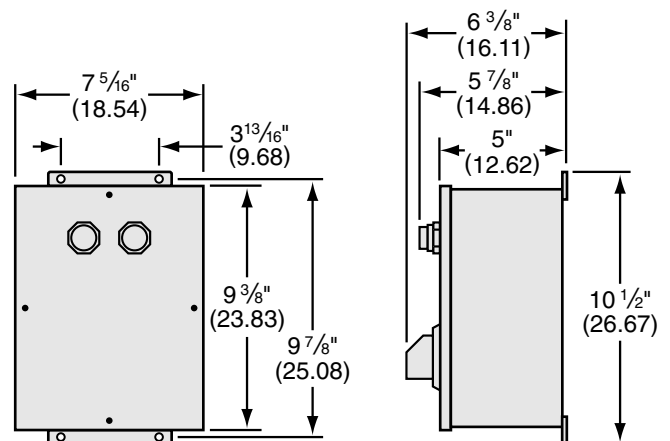
The MSS & MSS-LD controls include an operator safety feature that prevents automatic starting of the disposer after a power interruption. To re-start the disposer, the operator must push the **START** button.



MODEL MSS & MSS-LD DISPOSER CONTROL

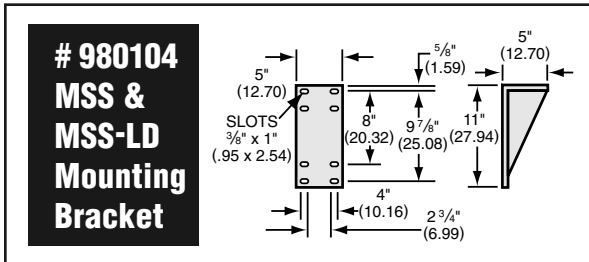
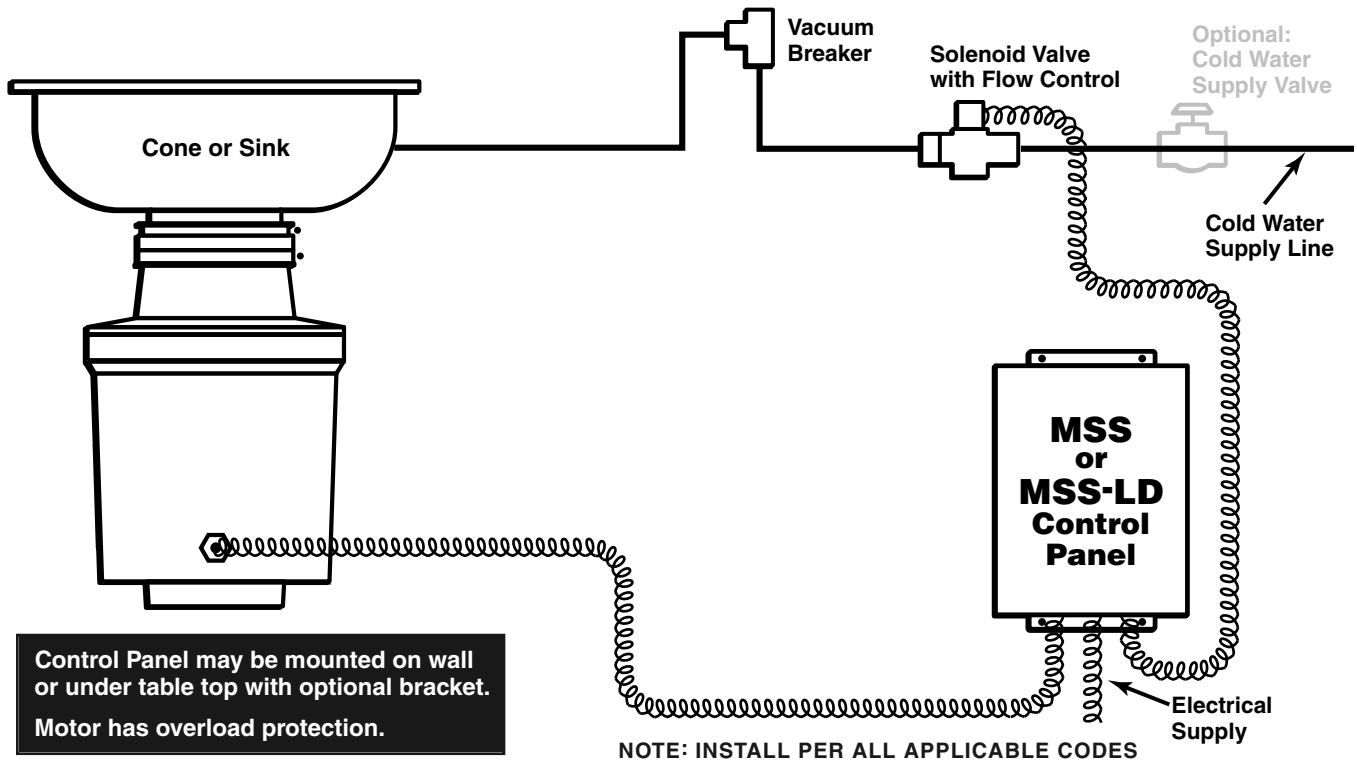
is for use with
Salvajor Models:
75 - 100 - 150 - 200 -
300 - 500 - 750

WEIGHT: 8 LBS.



NOTE: Dimensions in parenthesis are in centimeters

Typical Installation Diagram of Salvajor Model MSS & MSS-LD Control Panel with Disposer



NOTE: Dimensions in parenthesis are in centimeters

Item Numbers for Ordering			
CONTROL MODEL	VOLTAGE	PHASE	ITEM NO.
MSS	115	1	MSS 4
	208 or 230	1	MSS 5
	208 or 230	3	MSS 7
	460*	3	MSS 9
MSS-LD	115	1	MSSLD 4
	208 or 230	1	MSSLD 5
	208 or 230	3	MSSLD 7
	460*	3	MSSLD 9

◆ SPECIFY EXACT OPERATING VOLTAGE ◆

*When over 250 volts, we recommend using Model ARSS-2 or ARSS with 24 Volt Control Transformer.



The Salvajor Company 4530 East 75th Terrace Kansas City, Missouri 64132-2081, USA
 1-800-SALVAJOR (816) 363-1030 FAX: 1-800-832-9373
 www.salvajor.com Email: sales@salvajor.com service@salvajor.com

Manufacturers of Commercial Food Waste Disposing Systems since 1944