

# ScrapMaster



Job: \_\_\_\_\_ Item No.: \_\_\_\_\_

## Model SM



Job: \_\_\_\_\_ Item No.: \_\_\_\_\_

## Model PSM



## A Scrapping, Pre-Flushing and Disposing System with:

- Standard Scrap Basin, Model SM
- Pot/Pan Scrap Basin, Model PSM

**Recirculated Water** used by the system for pre-flushing will reduce water and sewer cost by thousands of dollars per year. The ScrapMaster consumes only 7 gallons of new water per minute while the heavy pre-flushing plume recirculates at a 30 gallon rate.

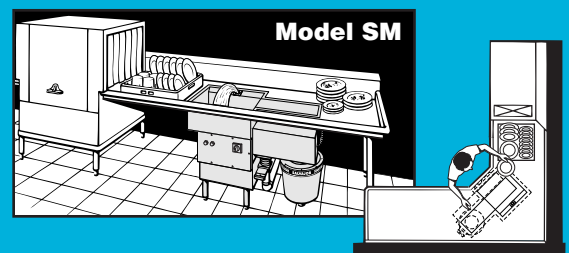
**Scrapping Speed** is more than doubled by a single operator as both hands are used for scrapping. The ScrapMasters powerful plume of water takes the place of a less productive pre-rinse spray.

**Problem Dishes, Trays and Cookware** with dried or baked-on food need much less hand work as they can be soaking in the scrap basin while the scrapping process continues.

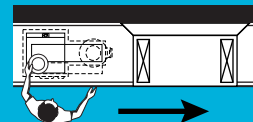
**Design Flexibility of the ScrapMaster** allows the pre-flushing and scrapping of all types of soiled tableware and cookware. The standard scrap basin accepts all soiled tableware as well as school trays. The pot/pan scrap basin accommodates dishes, school trays, pots, pans and even 26 inch sheet pans.

**Less Splashing** occurs with the ScrapMaster water plume compared to a pre-rinse spray.

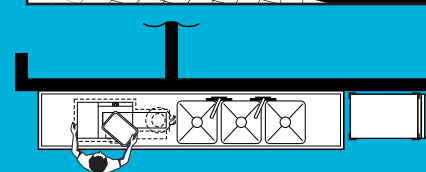
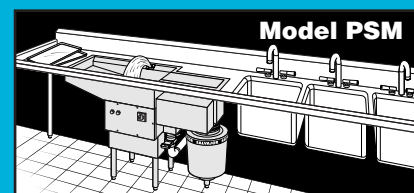
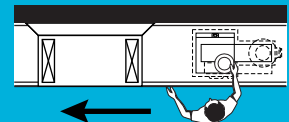
## TYPICAL INSTALLATIONS



LEFT TO RIGHT



RIGHT TO LEFT



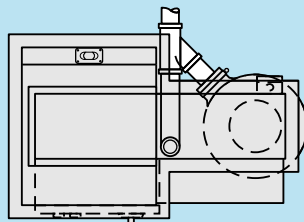


# ScrapMaster Model SM

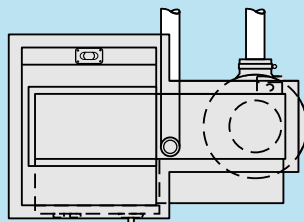
## Model SM Legend

- A** Disposer outlet can be rotated at most any angle by rotating disposer. Rubber drain accepts 2" piping or 3" piping by removing drain insert.
- B** Tank reservoir drain – Plumb 2" piping from valve to floor drain or connect to disposer drain piping ahead of P trap.
- C** Disposer electrical connection.
- D** Disposer to control connection.
- E** Incoming electrical connection.
- F** Hot and cold water connection. 1/2" NPT
- G** Recirculating water valve.

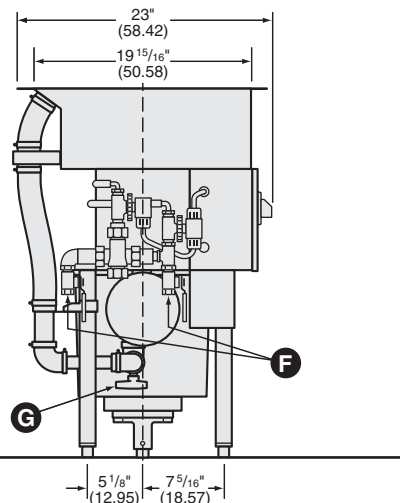
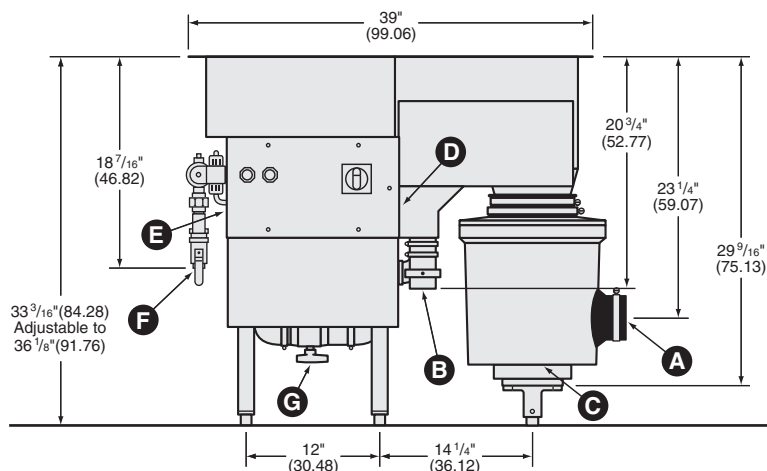
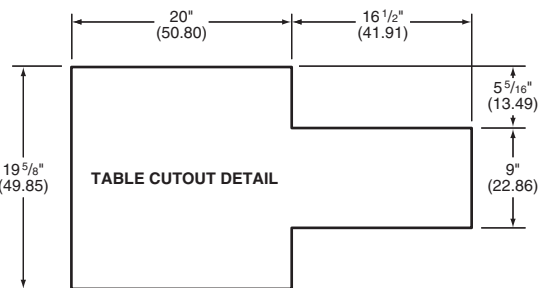
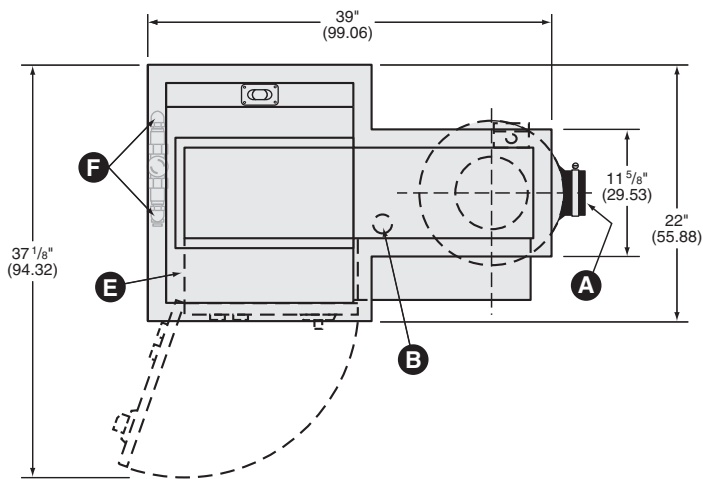
## Model SM Drain Piping



2" tank reservoir drain can be run separately or be tied in with 2"-3" disposer drain.



**ALL CONNECTIONS ARE TO BE MADE BY QUALIFIED PERSONNEL WHO WILL OBSERVE ALL LOCAL AND NATIONAL CODES.**



NOTE: Dimensions in parenthesis are in centimeters

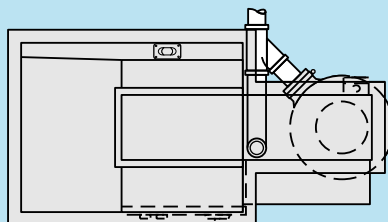


# Pot/Pan ScrapMaster Model PSM

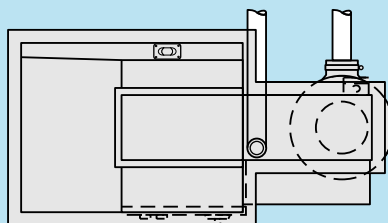
## Model PSM Legend

- A** Disposer outlet can be rotated at most any angle by rotating disposer. Rubber drain accepts 2" piping or 3" piping by removing drain insert.
- B** Tank reservoir drain – Plumb 2" piping from valve to floor drain or connect to disposer drain piping ahead of P trap.
- C** Disposer electrical connection.
- D** Disposer to control connection.
- E** Incoming electrical connection.
- F** Hot and cold water connection. 1/2" NPT
- G** Recirculating water valve.

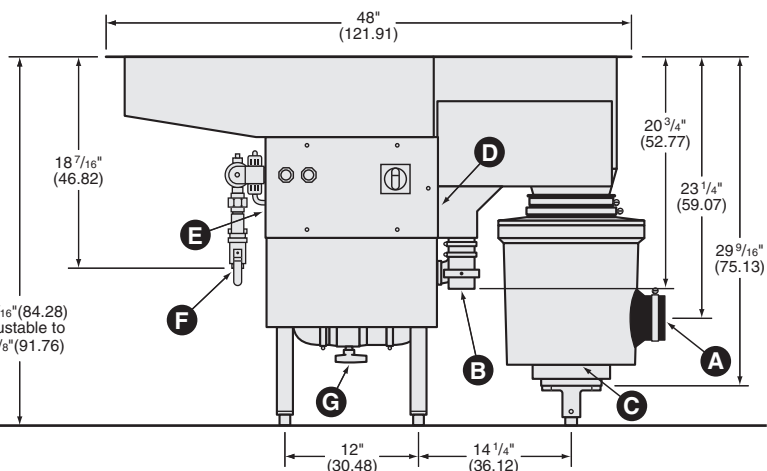
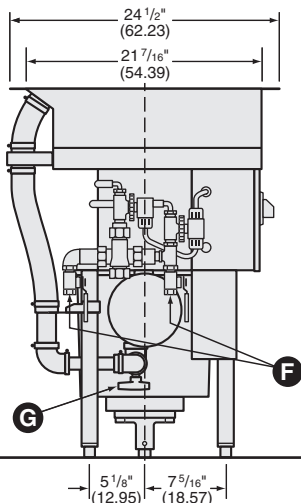
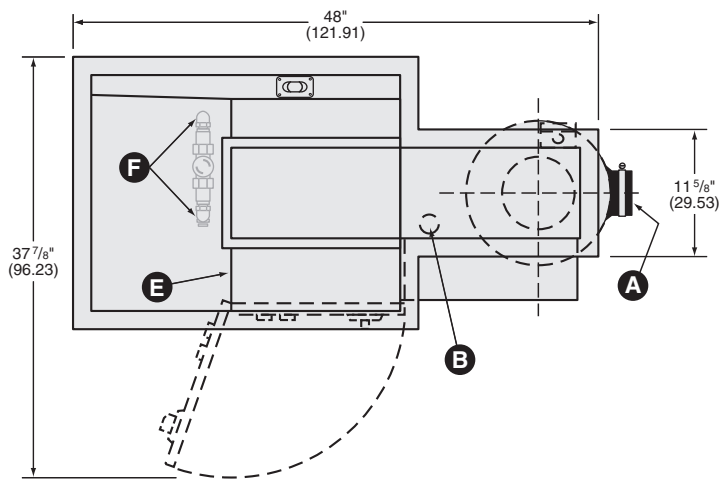
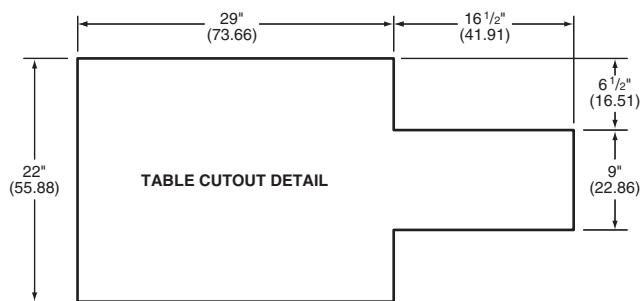
## Model PSM Drain Piping



2" tank reservoir drain can be run separately or be tied in with 2"-3" disposer drain.



**ALL CONNECTIONS ARE TO BE MADE BY QUALIFIED PERSONNEL WHO WILL OBSERVE ALL LOCAL AND NATIONAL CODES.**



NOTE: Dimensions in parenthesis are in centimeters

# Salvajor ScrapMaster System

## Model SM & Model PSM

S P E C I F I C A T I O N S

### CONSTRUCTION

- Stainless Steel Components
- Salvage Basin
- Disposer Safety Cover
- Adjustable Legs
- Control Panel

### ELECTRICAL

- Pre-wired NEMA 4 Panel
- Watertight Conduit/Fittings
- Separate Component Grounding
- Thermally Protected Motors
- Totally Enclosed Motors
- Line Voltage Disconnect
- Disposer Safety Switch
- 24 Volt Safety Circuitry

### PLUMBING

- Corrosion Resistant Components
- Automatic Water Blender
- Solenoid Valves
- Unions
- Check Valves
- Incoming Water Valves
- Non-clogging Pump Design
- Backflow Prevention Device
- Quick Opening Drain Valve

### SAMPLE SPECIFICATIONS

Unit shall be a ScrapMaster (or Pot/Pan ScrapMaster) pre-flushing scrapping and food waste disposing system with recirculating water as manufactured by Salvajor.

Model \_\_\_\_ SM (or PSM), \_\_\_\_Volts, \_\_\_\_Hz, \_\_\_\_Phase.

Furnished with a pre-wired control panel and Stainless Steel NEMA 4 watertight enclosure.

### MODELS AVAILABLE

Model	Model	Disposer	Lbs.
<input type="checkbox"/> 300 SM	<input type="checkbox"/> 300 PSM	3 HP	332
<input type="checkbox"/> 500 SM	<input type="checkbox"/> 500 PSM	5 HP	339
<input type="checkbox"/> 750 SM	<input type="checkbox"/> 750 PSM	7 1/2 HP	349

### ACCESSORIES

- Remote Start-Stop Button
- Remote Mounting Bracket
- Correctional Package

### VOLTAGES AVAILABLE

(SPECIFY EXACT OPERATING VOLTAGE)

<input type="checkbox"/> 208V	<input type="checkbox"/> 230V	<input type="checkbox"/> 460V, 60 Cycle, 3 Phase
Disposer	3-7 1/2 HP	208-230-460V
Pump	3/4 HP	208-230-460V
Separator	1/6 HP	208-230-460V

### FULL LOAD AMPS

MODEL	TOTAL FULL LOAD AMPS			THREE PHASE
	208V	230V	460/480V	Total HP
300-SM/PSM	12.64	11.66	5.83	3.92
500-SM/PSM	17.64	16.16	8.13	5.92
750-SM/PSM	23.64	21.66	10.83	8.42

### UTILITIES REQUIRED

208, 230 or 460 Volt, 60 cycle, 3 phase electric service, 3/4" hot and cold water supply and reduce to 1/2" at connection. 2" or 3" waste line, 2" tank reservoir drain.

(Specifications subject to change without notice.)



Disposer not included in listing.

**The Salvajor Company** 4530 East 75th Terrace Kansas City, Missouri 64132-2081, USA

1-800-SALVAJOR

(816) 363-1030

FAX: 1-800-832-9373

www.salvajor.com

Email: sales@salvajor.com

service@salvajor.com

Manufacturers of Commercial Food Waste Disposing Systems since 1944