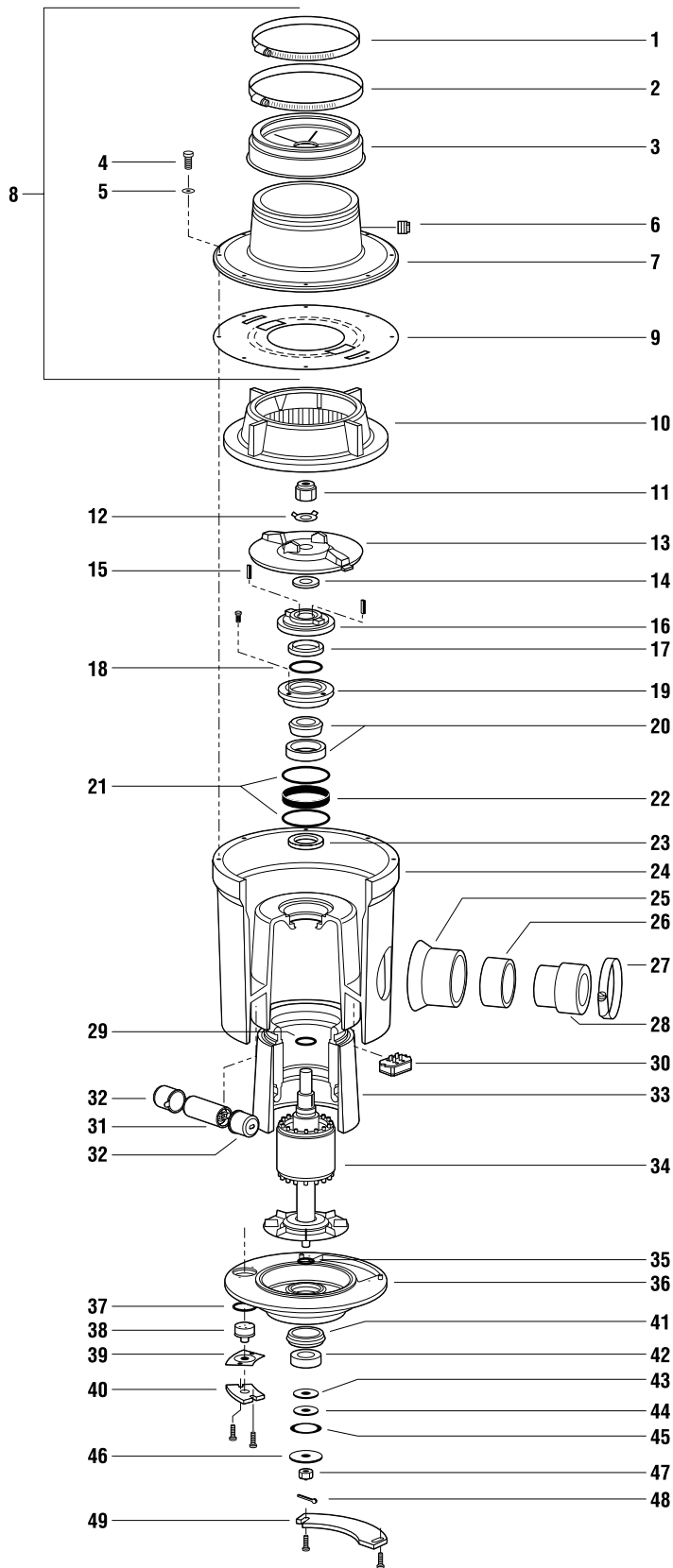


# Salvajor Model 75 3/4 HP - 1 Phase

## Series H Disposer Parts Breakdown



NO.	PART NO.	DESCRIPTION
1	M116	Clamp
2	M128	Clamp
3	2357A	Hycar Adaptor
4	997022	Screw 5/16 - 18 x 1" HHCAP
5	997123	Washer Flat 11/32 x 5/80D SS
6	PL5	Plug 1/2" Plastic
7	983010	Top Housing
8	980131	Top Housing Assembly 1, 2, 3, 7, 9
9	996045	Center Gasket (S)(C)
10	8S	Shredder (C)
11	7814RN	Rotor Nut (S)(C)
12	997092	Lock Washer (S)(C)
13	983015	Face Plate (C)
14	996025	Rotor Shaft Gasket (S)
15	997070	Key 3/16 x 3/16 x 1" (S)
16	980132	Rotor Base Assembly (S)
17	S67350B	Varalip Seal (S)
18	995009	Spacer Seal TEB (S)
19	993001	Top End Bell Insert (S) 17, 18
20	985001	Bearing Cup/Cone Top (S)
21	12151	O-Ring (S)
22	ANL79X15S	Tolerance Ring (S)
23	S67350	Varalip Seal (S)
24	MH3	Motor Housing 3"
25	996037	Drain Outlet 3"
26	988015	Drain Insert 3"
27	997131	Clamp Disposer 3"
28	996038	Drain Adaptor 2-3"
29	11026	O-Ring (S)
30	994071	Start Switch 1PH
31	994183	Capacitor Disposer
32	994184	Boot Capacitor
33	75MHI	Stator w/Motor Housing Insert
34	991084	Motor Rotor 75-1
35	996020	O-Ring (S)
36	BEBA123G	Bottom End Bell Assembly 37, 39, 40, 49
37	123	Klixon O-Ring
38	KL1001	Klixon
39	KLCG	Klixon Cover Gasket
40	KLC	Klixon Cover
41	996023	BEB Rubber Isolator (S)
42	6205	Bottom Bearing (S)
43	987002	Drive Washer (S)
44	996024	Friction Washer (S)
45	987003	Wave Washer (S)
46	987001	Retaining Washer (S)
47	997050	Castle Nut (S)
48	997051	Cotter Pin (S)
49	JBCA	Junction Box Cover

### SEAL AND CUTTING KITS

KSH123	Seal Kit (All Models)
KCH1	Cutting Kit (Model 75)
(S) Designates Parts included in Seal Kit	
(C) Designates Parts included in Cutting Kit	

SPECIFY VOLTAGE AND PHASE WHEN ORDERING



**The Salvajor Company**

4530 East 75th Terrace  
Kansas City, MO 64132-2081 USA

CALL FREE: 1-888-SALVAJOR FAX FREE: 1-800-832-9373