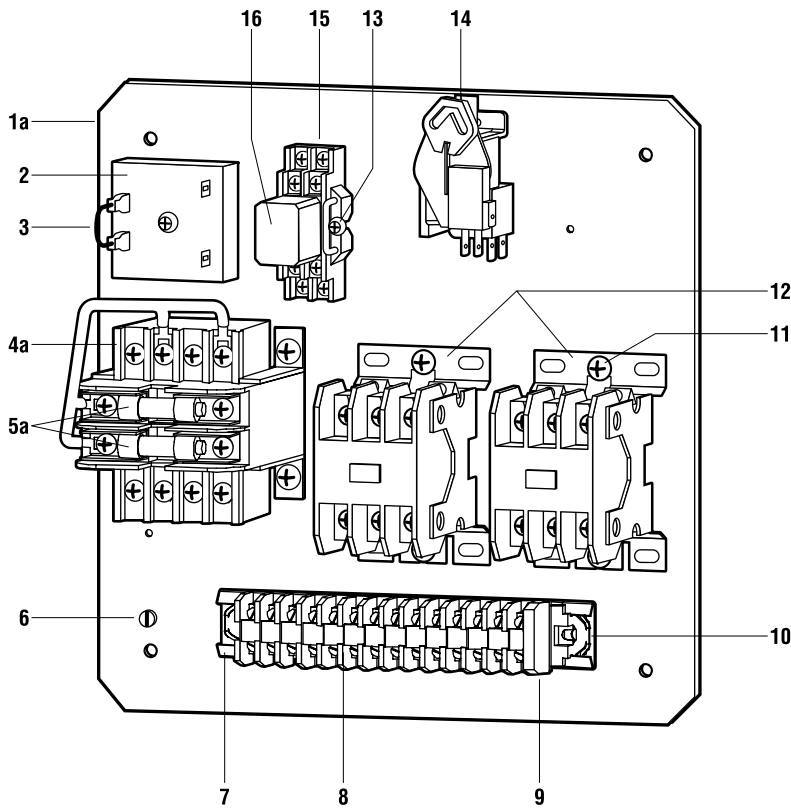


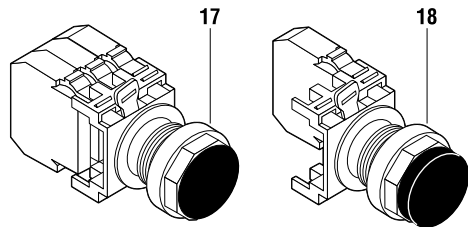
Salvajor Model ARSS-2*

PRE-WIRED CONTROL PANEL PARTS BREAKDOWN

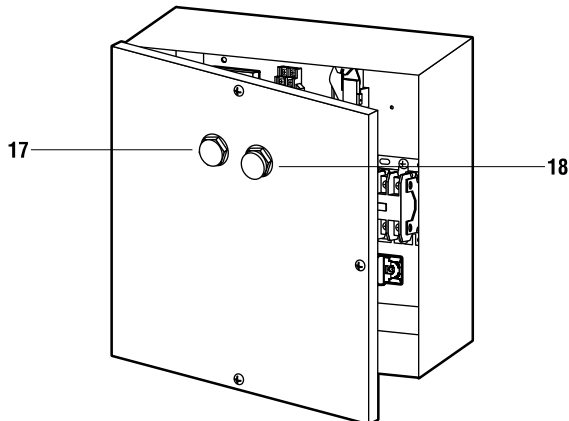
*Includes 24 Volt Safety Circuitry



Note: 460V components shown
(115/208-230V is similar)



12 x 12 Control Box Assembly



ARSS-2 Item Numbers

VOLTAGE	PHASE	ITEM NO.
115	1	283UL
208 or 230	1	287UL
208 or 230	3	210UL
460	3	226UL

ITEM PART NO. DESCRIPTION

1a	980226IP	Inner Panel Assembly 460V, 3-Phase (shown)
1b	980283IP	Inner Panel Assembly 115V, 1-Phase
1c	980287IP	Inner Panel Assembly 208-230V, 1-Phase
1d	980210IP	Inner Panel Assembly 208-230V, 3-Phase
2	994125	Timer 24V F & R
3	994233	Wire 18GA Whiteblue 3" with Disconnects
4a	994115	Transformer 50VA 208-230/460V Pri-Fuse
4b	994116	Transformer 50VA 120V Pri-Fuse
5a	994122	Fuse .5 Amp 600V UL/CSA (used on 460V System)
5b	994095	Fuse 1 Amp 600V UL/CSA (used on 208-230V Systems)
6	SCR1032	Screw 10-32 Green Hex Head Ground
7	994172	Terminal Mounting Channel
8	994169	Terminal Block
9	994171	Terminal End Block
10	994170	Terminal Clamp
11	997093	Screw 10-32 x 3/8" Phillips Truss Head
12	994174	Contactor 24V 30A 3 Pole
13	997146	Screw 10-32 x 1" Phillips Round Head
14	994080	Alternator 24V
15	994102	Relay Base
16	994180	Control Relay 24V
17	ABD100C24	Start Button Normally Open w/24V Pilot Light
18	ABD200A	Stop Button Normally Closed



The Salvajor Company

4530 East 75th Terrace
Kansas City, MO 64132-2081 USA

1-888-SALVAJOR FAX 1-800-832-9373