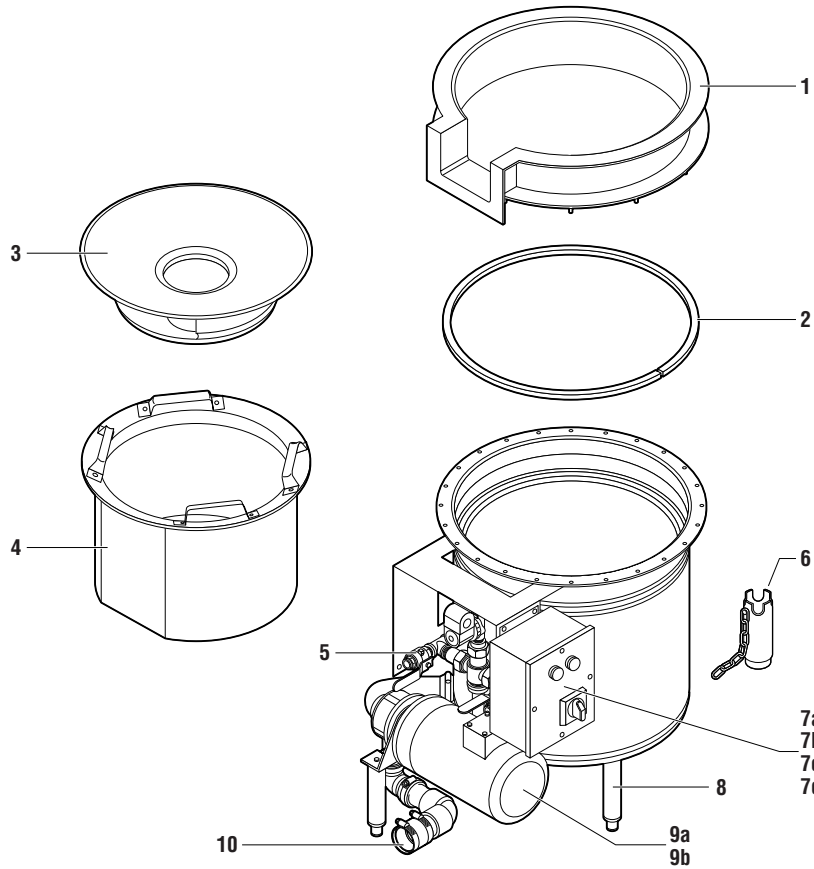


# Salvajor Trough Collector

PARTS BREAKDOWN for Model S419

For Serial Numbers  
starting at 25000

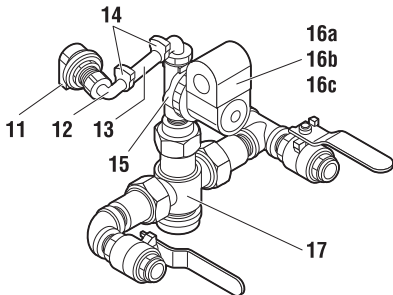
## Model S419 System Components



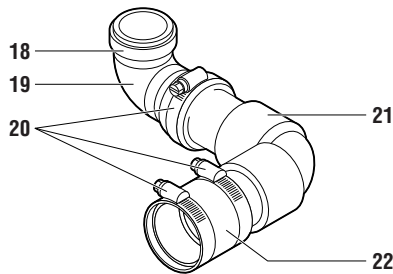
## ITEM PART NO. DESCRIPTION

1	980169	S419 TOP ASSEMBLY
2	996058	TOP GASKET
3	992011	SALVAGE BASIN
4	992013	SCRAP BASKET
5	980158	WATER HARNESS ASSY
6	988006	OVERFLOW PIPE ASSEMBLY
7A	MSSLD4	CONTROL PANEL 115V 1PH
7B	MSSLD5	CONTROL PANEL 208-230V 1PH
7C	MSSLD7	CONTROL PANEL 208-230V 3PH
7D	MSSLD9	CONTROL PANEL 460V 3PH
8	914LESS	STAINLESS STEEL LEG
9A	980076	PUMP AND MOTOR ASSEMBLY 1PH
9B	980077	PUMP AND MOTOR ASSEMBLY 3PH
10	988026	PUMP PLUMBING ASSEMBLY
11	2906	FIXED NOZZLE
12	998113	3/8" NYLON ELBOW
13	998022	3/8" BRAIDED TUBING
14	997001	HOSE CLAMP, PLASTIC
15	GP4007	SOLENOID VALVE REPAIR KIT
16A	GP234115	SOLENOID COIL 115V
16B	GP234208	SOLENOID COIL 208-230V
16C	GP234460	SOLENOID COIL 460V
17	998110	WATER HARNESS BLENDER ASSY
18	S24	HOSE CLAMP
19	996019	RUBBER ELBOW 3/4" X 2"
20	M32	HOSE CLAMP (sold separately)
21	988025	ELBOW ASSEMBLY
22	15X15BR	COUPLING 1-1/2" X 1-1/2"
23	996034	ELBOW 125 DEGREE RUBBER (sold separately)
24	988010	PUMP HOUSING (sold with #31)
25	997089	CAP SCREW (not used on 1-phase)
26	996027	IMPELLER (sold with #32)
27	996028	O-RING (sold with #32)
28	ECK511	SEAL KIT (sold with #32)
29	996047	GASKET (sold with #32)
30	988009	PUMP BASE (sold with #32)
31	996030	V-RING (sold with #32)
32	980074	PUMP ASSEMBLY (includes 24-31)
33	980157	LEG BRACKET (sold separately)
34B	991060	PUMP MOTOR 1PH
34B	991061	PUMP MOTOR 3PH

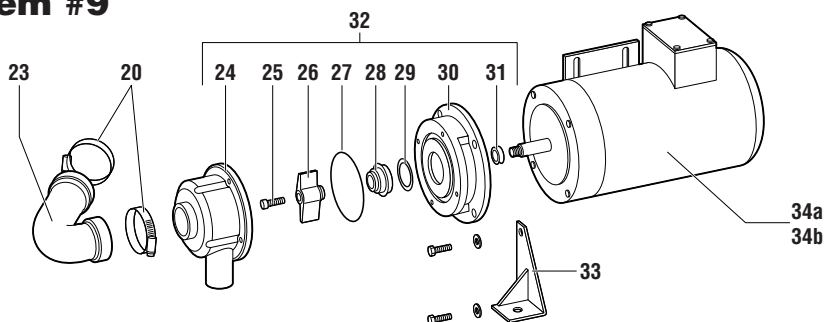
### Item #5



### Item #10



### Item #9



### The Salvajor Company

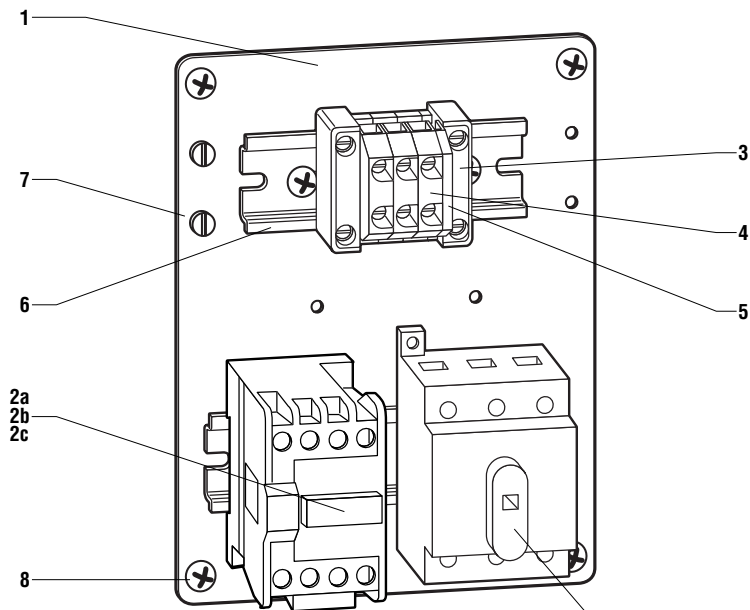
4530 East 75th Terrace  
Kansas City, MO 64132-2081 USA

1-888-SALVAJOR FAX 1-800-832-9373

# Salvajor Model MSS-LD

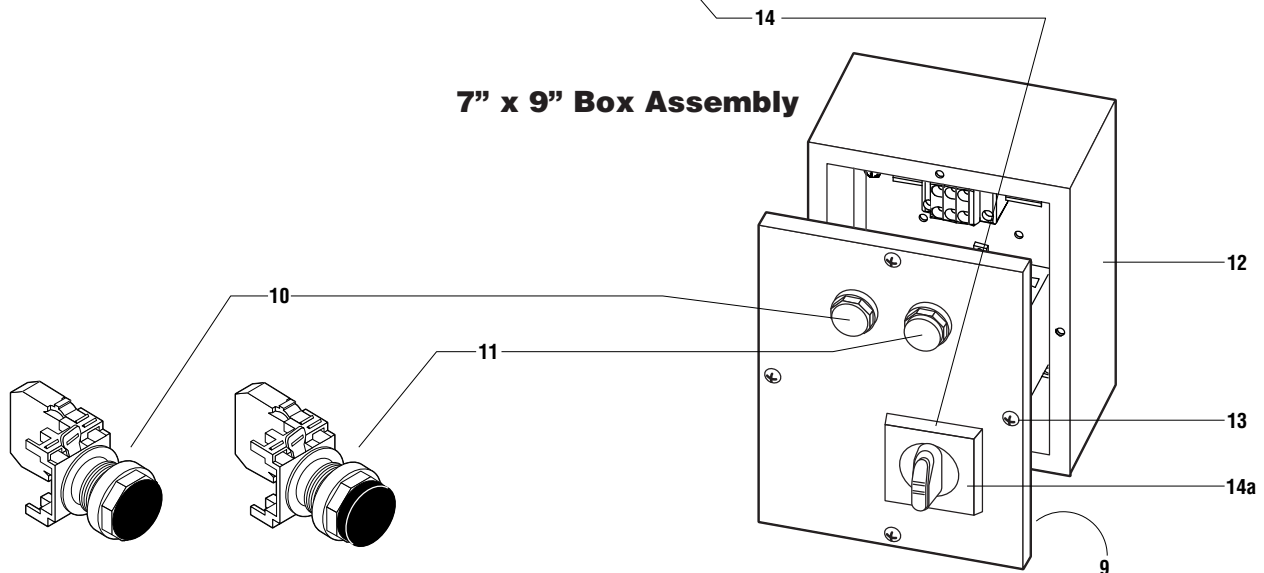
Manual Start/Stop with Line Disconnect

## PRE-WIRED CONTROL PANEL PARTS BREAKDOWN



MSS-LD Item Numbers		
VOLTAGE	PHASE	ITEM NO.
115	1	MSSLD4
208 or 230	1	MSSLD5
208 or 230	3	MSSLD7
460	3	MSSLD9

ITEM	PART NO.	DESCRIPTION
1	79IP	Inner Panel MSS
2a	994006	Contactora 115V
2b	994007	Contactora 208-230V
2c	994008	Contactora 460V
3	994294	End Clamp
4	994292	Terminal Block
5	994293	End Barrier
6	994005	Din Rail Mounting Track
7	SCR1032	Ground Screw 10-32
8	997093	Screw 10-32 X 3/8"
9	79GA	Lid Gasket Assembly
10	ABD100B	Button Start
11	ABD200A	Button Stop
12	79BA	7" X 9" Box Assembly
13	997032	Screw 10-32 X 5/8"
14	980138	Line Disconnect Assembly
14a	994263	Line Disconnect Handle



**The Salvajor Company**

4530 East 75th Terrace  
 Kansas City, MO 64132-2081 USA

1-888-SALVAJOR FAX 1-800-832-9373

Printed in USA  
 Form No. TC/COL-8-SJ