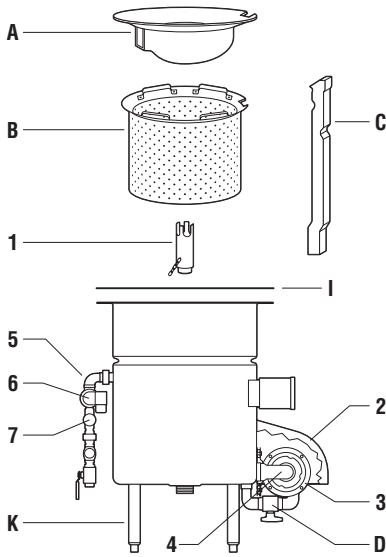


Salvajor Collectors

PARTS BREAKDOWN

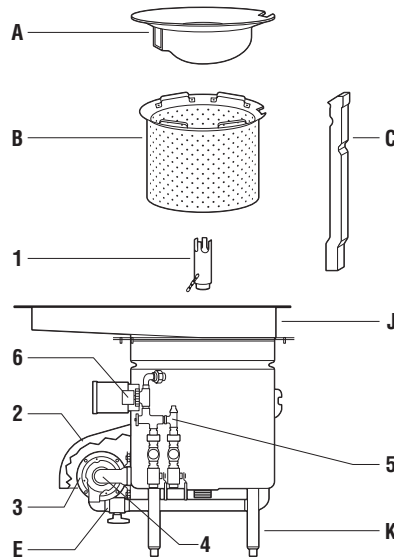
Scrap Collector Components

For models with serial numbers beginning with No. 9292



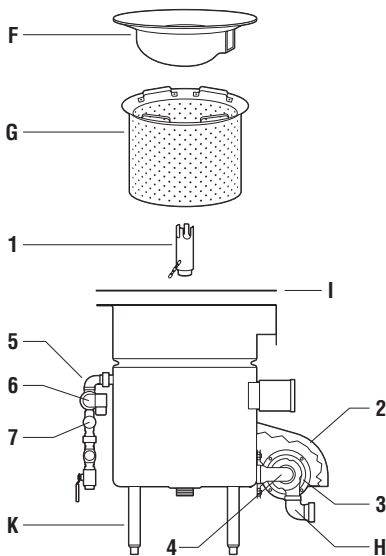
Pot/Pan Collector Components

For models with serial numbers beginning with No. 3013



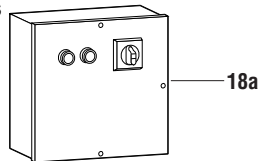
Trough Collector Components

For models with serial numbers beginning with No. 4311



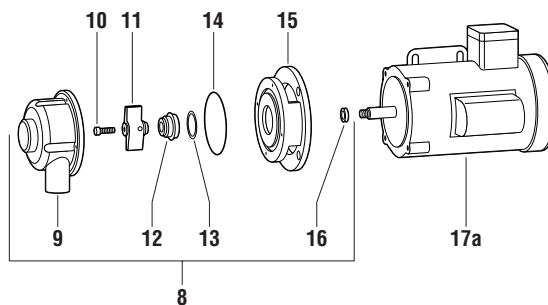
Control Panel

All Models



Pump & Motor Assembly

(For all three Collectors)



ITEM	PART NO.	DESCRIPTION
A	992010	Salvage Basin w/cut out
B	992012	Scrap Basket w/cut out
C	993002	Gusher Tube
D	S914FCA	Pump Valve Assembly (Scrap Collector)
E	P914FCA	Pump Valve Assembly (Pot & Pan Collector)
F	992011	Salvage Basin
G	992013	Scrap Basket
H	996019	Pump Discharge Elbow
I	91431	Flange Gasket
J	992048	Pot/Pan Adaptor
K	914 LESS	Leg Assembly
1	988006	2" Diameter Overflow Pipe
2	992040	Service Cover
3a	980076	Pump & 1-Phase Motor Assembly (includes items 8,17)
3b	980077	Pump & 3-Phase Motor Assembly (not shown, includes items 8, 17)
4	996034	Pump Intake Elbow
5	980002	Water Harness (includes items 6-7)
6a	GP4242	Solenoid Valve: 24V
6b	GP41152	Solenoid Valve: 115V (not shown)
6c	GP42082	Solenoid Valve: 208V (not shown)
6d	GP44602	Solenoid Valve: 460V (not shown)
7	998024	Tempering Valve (Replacement kit #998028)
8	980074	Pump Assembly (includes items 9-16)
9	988010	Pump Housing (not sold separately)
10	997089	Cap Screw (not used on 1-Phase)
11	996027	Impeller
12	ECK511	Seal Kit
13	996047	Washer
14	996028	O-Ring
15	988009	Pump Base (not sold separately)
16	996030	V-Ring
17a	991060	Pump Motor 1-Phase
17b	991061	Pump Motor 3-Phase (not shown)
18a	SS334	115V, 1-Phase Control Panel
18b	SS335	208-240V, 1-Phase Control Panel
18c	SS337	208-240V, 3-Phase Control Panel
18d	SS339	460V, 3-Phase Control Panel



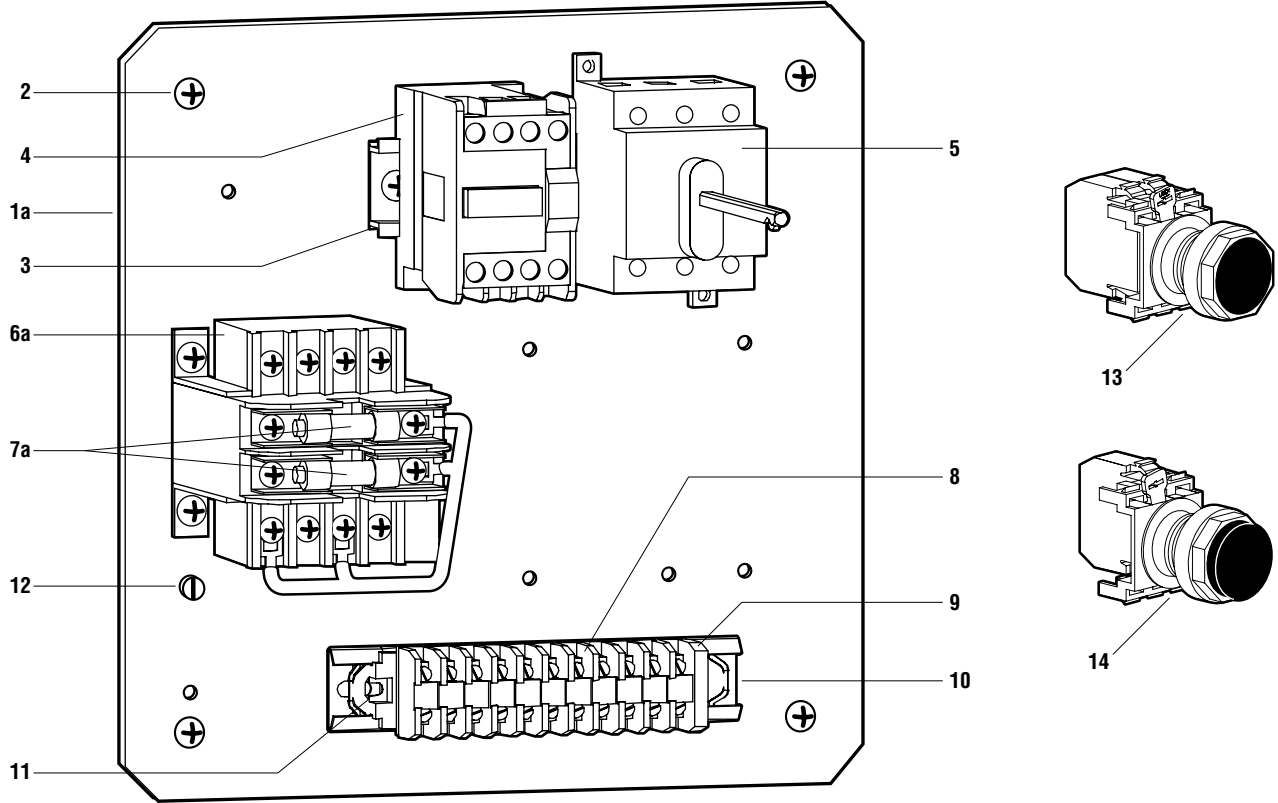
The Salvajor Company

4530 East 75th Terrace
 Kansas City, MO 64132-2081
 1-888-SALVAJOR FAX 1-800-832-9373
 service@salvajor.com

Salvajor Collectors

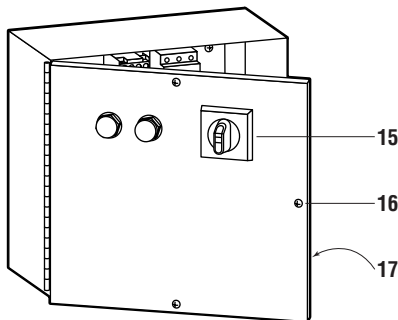
PRE-WIRED CONTROL PANEL PARTS BREAKDOWN

Model SS33 Control Components



Note: 460V components shown
(208-230V is similar)

12 x 12 Control Box Assembly



ITEM	PART NO.	DESCRIPTION
1a	SS339IP	Inner Panel Assembly 460V, 3-Phase
1b	SS334IP	Inner Panel Assembly 115V, 1-Phase
1c	SS335IP	Inner Panel Assembly 208-230V, 1-Phase
1d	SS337IP	Inner Panel Assembly 208-230V, 3-Phase
2	997093	Screw-10-32 x 3/8" Phillips Truss Head
3	994005	Din Rail Mounting Track
4	994059	Contact 24V 30 Amp Normally Open 3 Pole
5	994177	Disconnect Switch Assembly
6a	994115	Transformer 50VA 208V Pri-Fuse
6b	994116	Transformer 50VA 120V Pri-Fuse
7a	994122	Fuse .5 Amp 600V UL/CSA (used on 460V system)
7b	994095	Fuse 1 Amp 600V UL/CSA (used on 208-230V system)
8	994169	Terminal Block
9	994171	Terminal End Block
10	994172	Terminal Mounting Channel
11	994170	Terminal Clamp
12	SCR1032	Screw 10-32 Green Hex Head Ground
13	ABD100B24	Start Button Normally Open w/24V Pilot Light
14	ABD200A	Stop Button Normally Closed
15	994263	Disconnect Handle
16	997032	Lid Screw-10-32 x 5/8" Phillips Truss Head
17	1229A	Lid Gasket Assembly



The Salvajor Company

4530 East 75th Terrace
 Kansas City, MO 64132-2081
 1-888-SALVAJOR FAX 1-800-832-9373
 service@salvajor.com