

C1448, C1848, C2148 Service Parts

This part list contains the service parts for the air cooled, water cooled and remote air cooled C1448, C1848, C2148 ice machines.

To avoid costly and time consuming errors, double check the model and voltage before ordering a part.

Note: These abbreviations are used in this list:

- AC = Air Cooled
- WC = Water Cooled
- RC = Remote Cooled
- HGV = Hot Gas Valve
- TXV = Thermostatic Expansion Valve
- Volt = Voltage
- Sol Vlv = Solenoid Valve
- Hdwe = Hardware

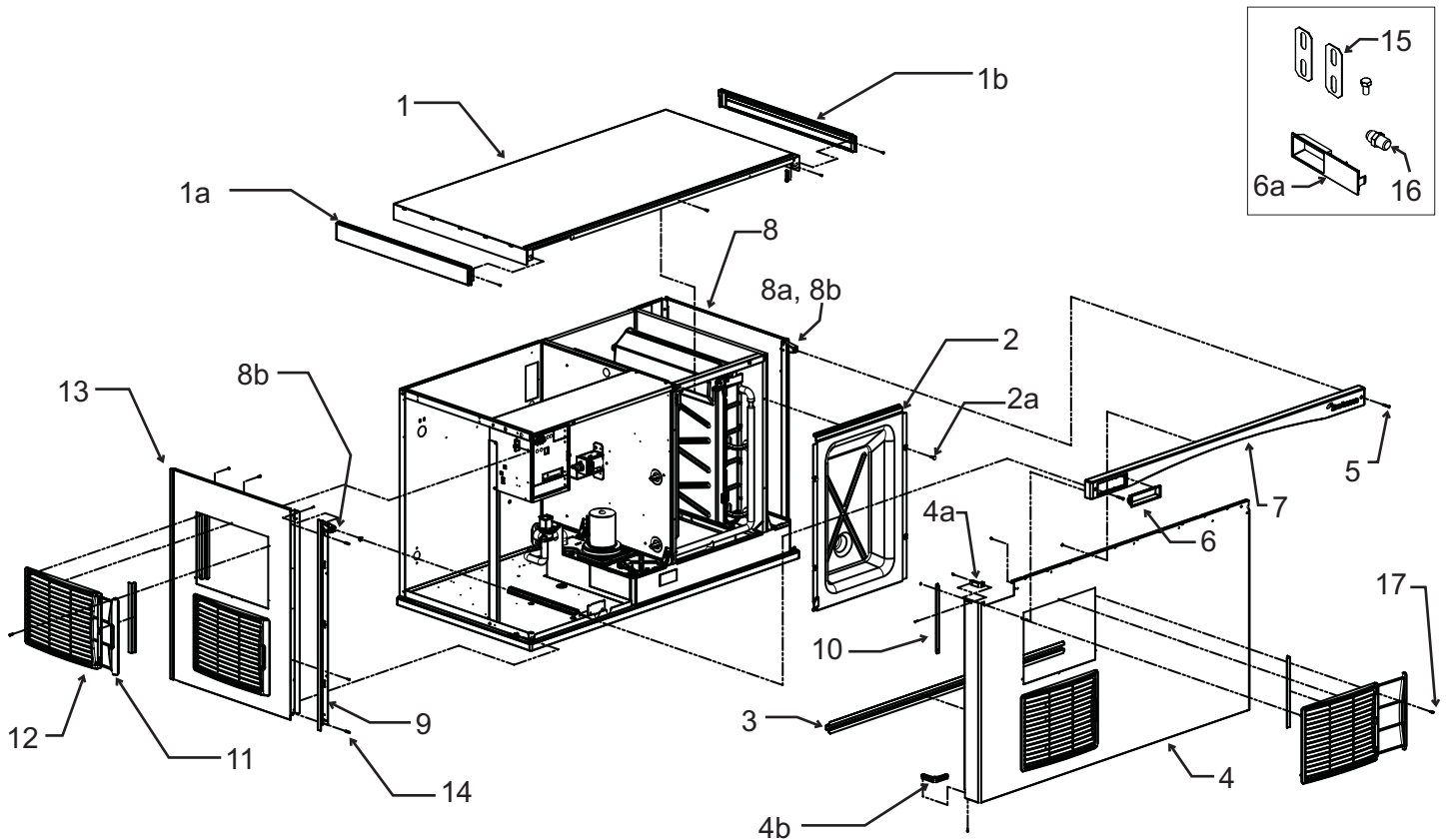
Table of Contents

Cabinet	Page 2
Interior Parts	Page 3
Evaporator Compartment	Page 4
Air Cooled Refrigeration System	Page 5
Air Cooled Mechanical & Electrical	Page 6
Water Cooled Refrigeration System	Page 7
Remote Refrigeration System	Page 8
Electrical & Control Box	Page 9
Compressors	Page 10
Compressor Mounting Hardware	Page 10
Crankcase Heaters	Page 10
Remote Condenser, ERC311 and ERC611	Page 11

Scotsman
800-533-6006
www.scotsman-ice.com

C1448, C1848, C2148 Service Parts

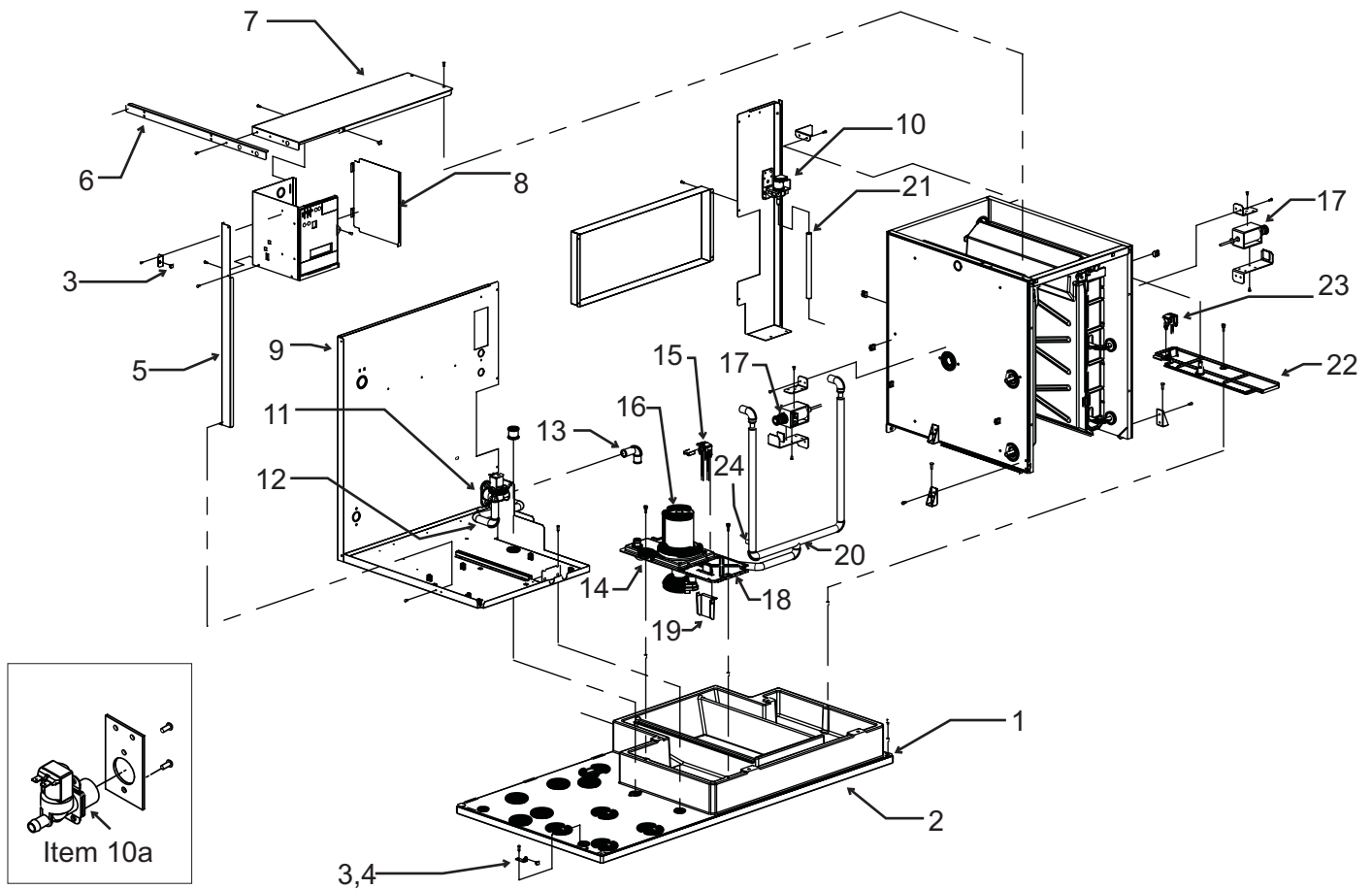
Cabinet



Item Number	Part Number	Description	Item Number	Part Number	Description
1	A38941-023	Top panel, w/trim strips	7	02-4214-03	Trim strip
1a	02-4221-01	Left trim strip	8	A38553-023	Right side panel assy
1b	02-4221-02	Right trim strip	8a	02-4215-01	Receptacle
2	02-4184-01	Evaporator cover	8b	03-3804-01	Screw receptacle
2a	03-0727-05	Screw	9	02-4067-03	Side panel support for water cooled and remote models
3	A39045-001	Front panel stiffener		02-4067-04	Side panel support for air cooled models
4	A38552-025	AC Front panel assembly, includes filters, trim strip, gussets and labels.	10	A39222-001	Filter guide
4a	02-4216-01	Top gusset	11	02-4212-01	Air filter
4b	02-4217-01	Bottom gusset	12	02-4224-01	Louver panel
5	03-1735-03	Screw, front panel	12a	A39238-001	Louver bracket
6	02-4284-01	Bezel, full window	13	A38551-023	Left side panel, AC
6a	02-4284-02	Bezel, partial window		A38551-024	Left side panel WC, RC
			14	03-1404-12	Screw
			15	A30911-015	Machine straps
			16	16-0355-00	Inlet water fitting, flare
			17	03-1419-17	Flat head screw

C1448, C1848, C2148 Service Parts

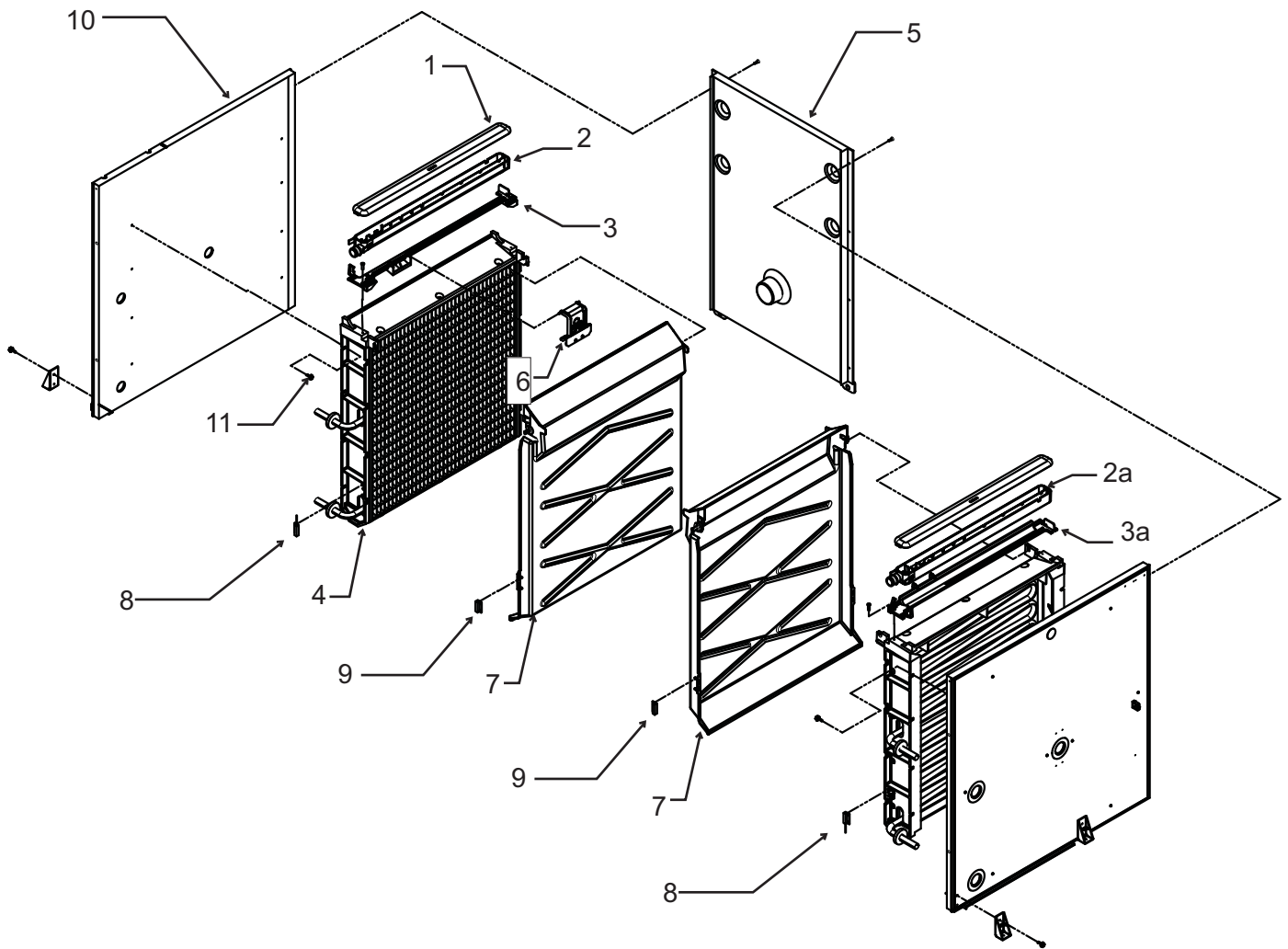
Interior Parts



Item Number	Part Number	Description		Part Number	Description
1	15-0411-00	Strike	15	A39030-021	Water level sensor
2	no number	Base, insulated	16	12-2920-22	Water pump
3	03-3804-01	Receptacle	17	12-2934-22	Harvest assist solenoid
4	A38732-001	Side panel mount	18	02-4178-01	Reservoir cover
5	A38629-001	Strut	19	02-4332-01	Sensor cover
6	A38582-001	Brace	20	02-4182-01	Pump hose
7	A39281-001	Control box top	21	13-0674-02	Fill hose order by ft (18")
8	A38537-001	Control box side		15-0821-01	Fill hose, -6 CE models
9	no number	Back panel	22	02-4175-01	Rt side res cover
10	12-2922-02	Inlet water sol vlv, 230 volt	23	A39030-022	Level sensor
	12-2912-01	Water valve rebuild kit	24	11-0572-21	Temp probe assy
10a	11-0568-02	Inlet water sol vlv, CE mod			
11	11-0564-02	Purge valve, 230 volt			
12	A38862-002	Drain tube			
13	A38862-001	Drain hose			
14	02-4177-01	Water pump bracket			

C1448, C1848, C2148 Service Parts

Evaporator Compartment



Item Number	Part Number	Description	Item Number	Part Number	Description
1	02-4065-01	Water distributor cover	6	A39031-021	Ice thickness sensor
2	02-4064-01	Water distributor, left	7	02-4100-23	Curtain
2a	02-4064-02	Water distributor, right	8	11-0563-03	Curtain switch
3	02-4205-01	Mounting bracket, left	9	11-0563-02	Curtain switch magnet
3a	02-4205-02	Mounting bracket, right	10	13-0943-01	Gasket tape
4	see table	Evaporator	11	03-3868-01	Screw

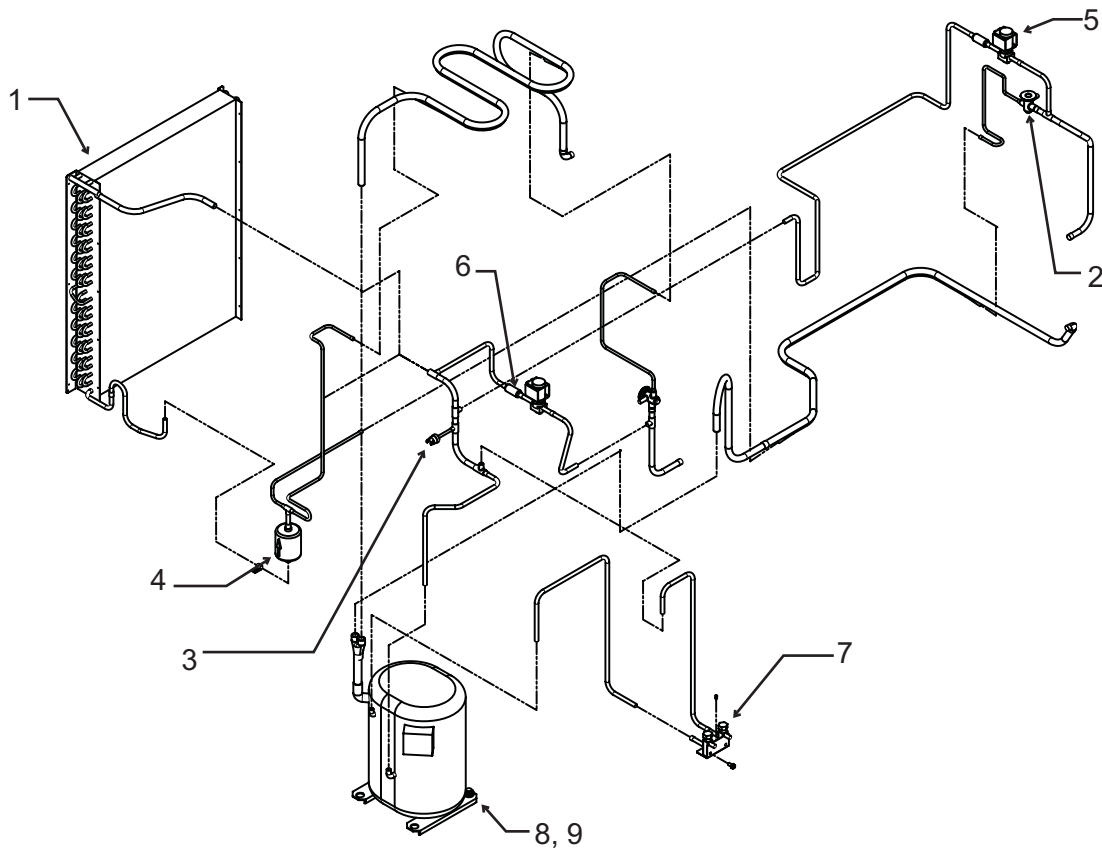
Note: Item 7 includes item 9, shipped loose.

	small cube	medium cube
Right	A38628-023	A38628-024
Left	A38628-021	A38628-022

5 A38677-001 Back wall

C1448, C1848, C2148 Service Parts

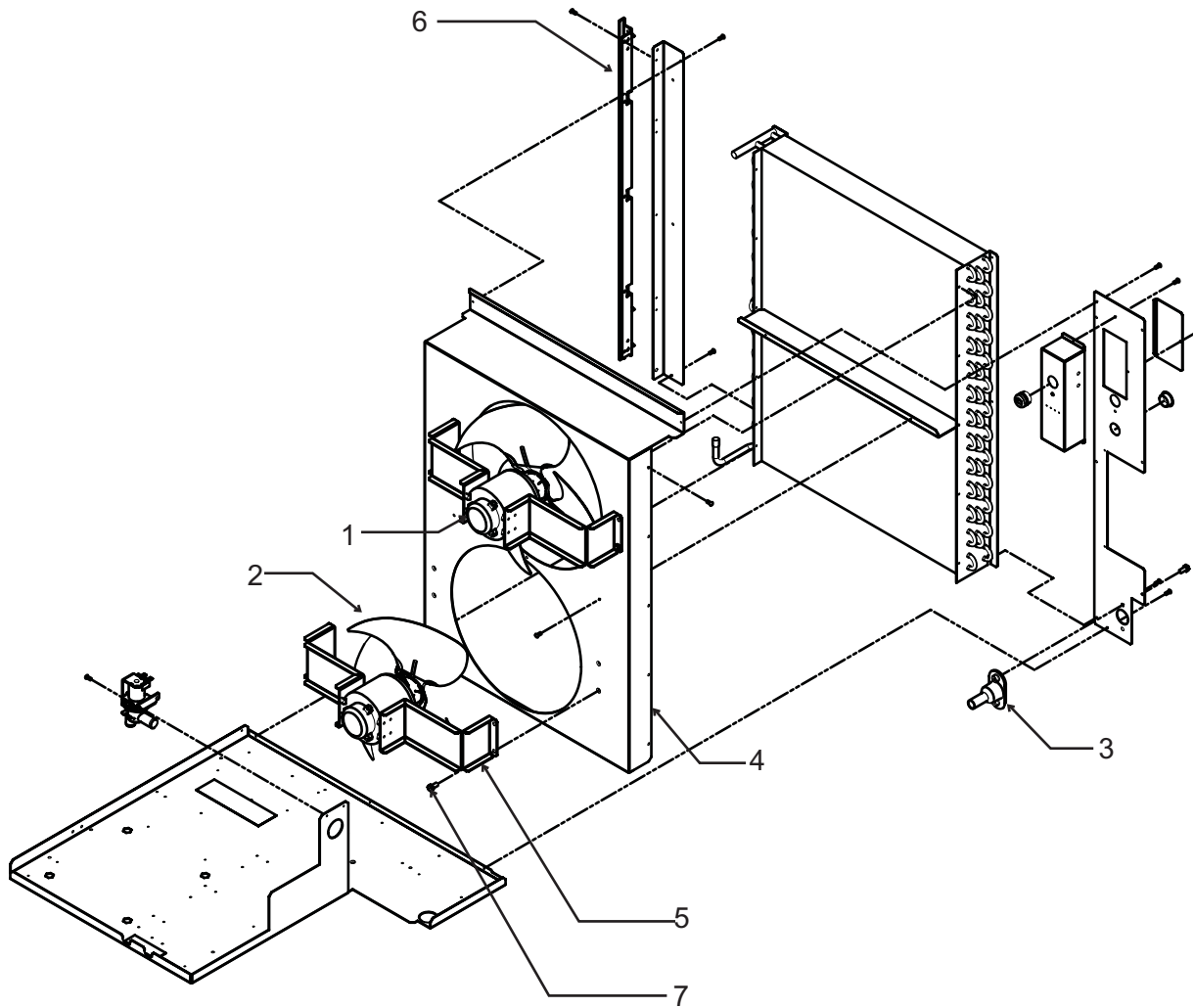
Air Cooled Refrigeration System



Item Number	Part Number	Description
1	18-8892-01	Condenser, AC
2	16-1130-02	TXV
	02-4045-01	Insulation Danfoss TXV
3	11-0566-22	Fan cycle pressure sw.
4	02-3319-01	Dryer
5	11-0493-01	Hot gas valve, 230 volt
	12-2719-22	230 volt coil
	12-2733-30	HGV rebuild kit
6	16-1063-01	Strainer
7	16-0832-20	Access valve
	16-0832-03	Port cap
	16-0832-02	Stem cap
8	see page 10	Compressors
9	see page 10	Compressor mounting hdw

C1448, C1848, C2148 Service Parts

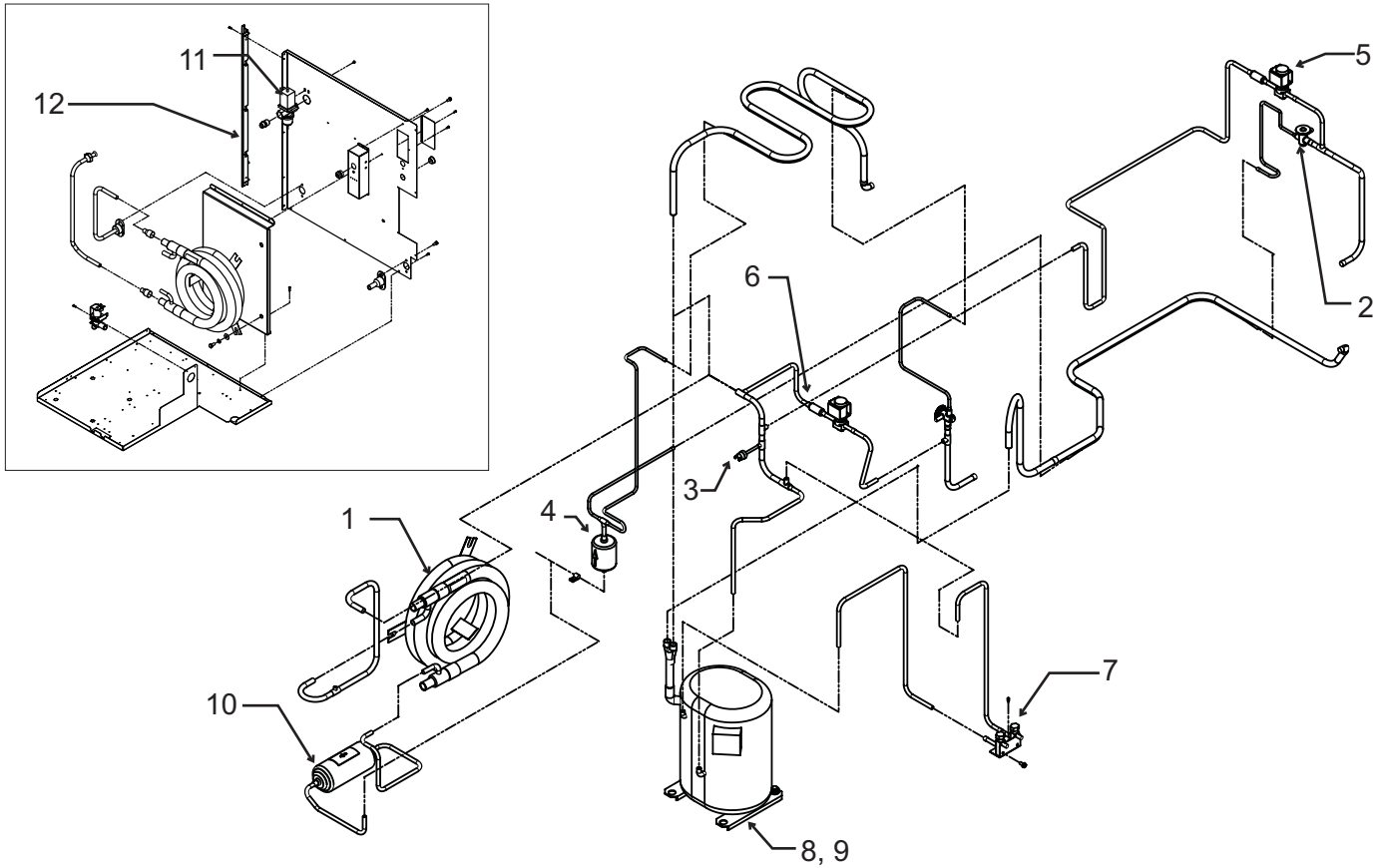
Air Cooled Mechanical & Electrical



Item Number	Part Number	Description
1	18-8927-01	Fan motor
2	18-8882-01	Fan blade
3	02-3692-21	Drain adapter - also for WC and RC
4	A38682-001	Fan shroud
5	A38554-001	Fan motor bracket
6	02-4067-04	Side panel support - AC
7	03-1645-01	Screw

C1448, C1848, C2148 Service Parts

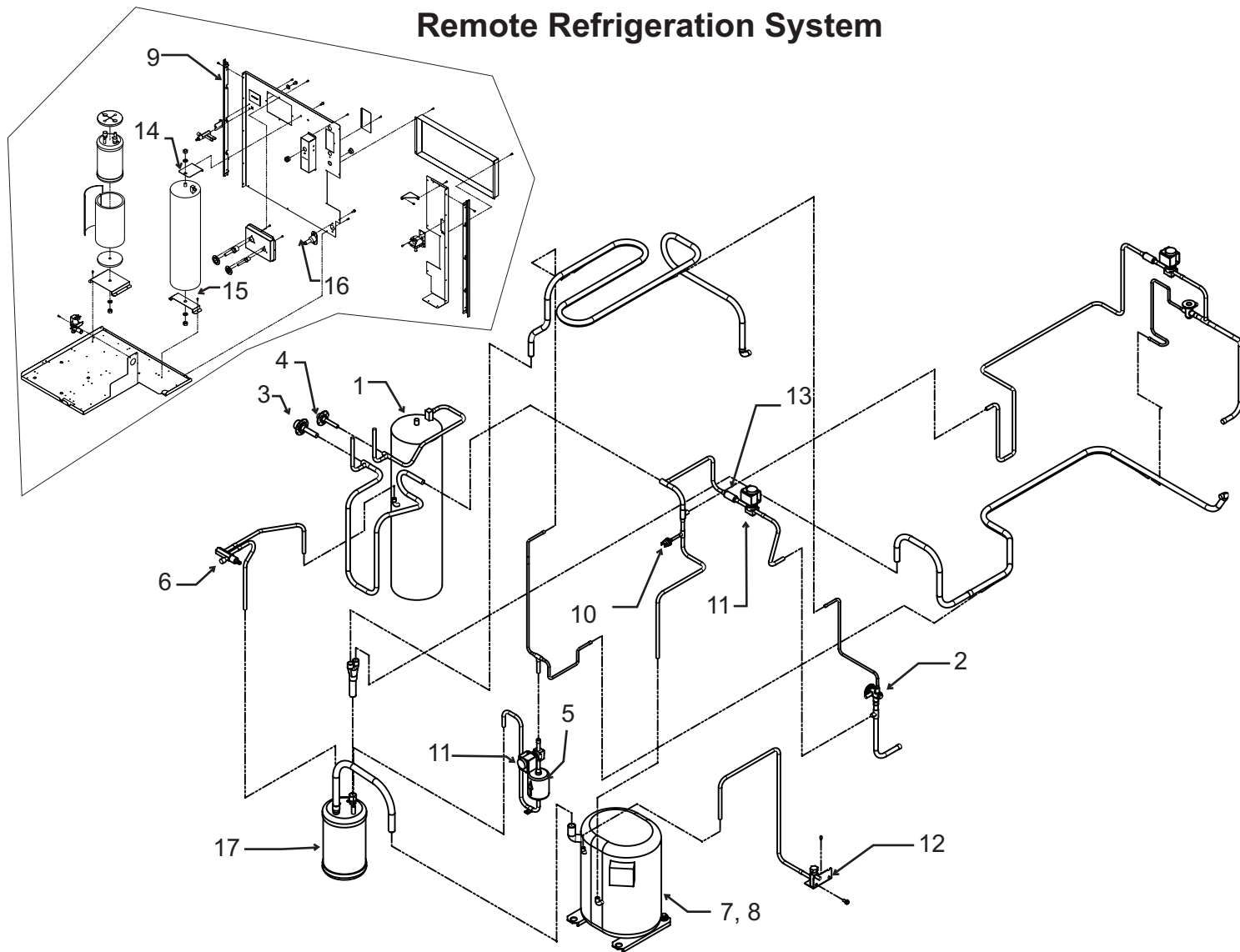
Water Cooled Refrigeration System



Item Number	Part Number	Description	Item Number	Part Number	Description
1	18-8865-21	Condenser, WC C1448. C1848	11	11-0478-01	Water regulating valve, C1448W, C1848W
2	16-1130-02	TXV	11	11-0478-02	Water regulating valve C2148W
	02-4045-01	insulation Danfoss TXV	12	02-4067-03	Side support
3	11-0501-21	High pressure sw.			
4	02-3319-01	Dryer			
5	11-0493-01	Hot gas valve, 230 volt			
	12-2719-22	230 volt coil			
	12-2733-30	HGV rebuild kit			
6	16-1063-01	Strainer			
7	16-0832-20	Access valve			
	16-0832-03	Port cap			
	16-0832-02	Stem cap			
8	see page 10	Compressors			
9	see page 10	Compressor mounting hdw			
10	02-2628-02	Receiver			

C1448, C1848, C2148 Service Parts

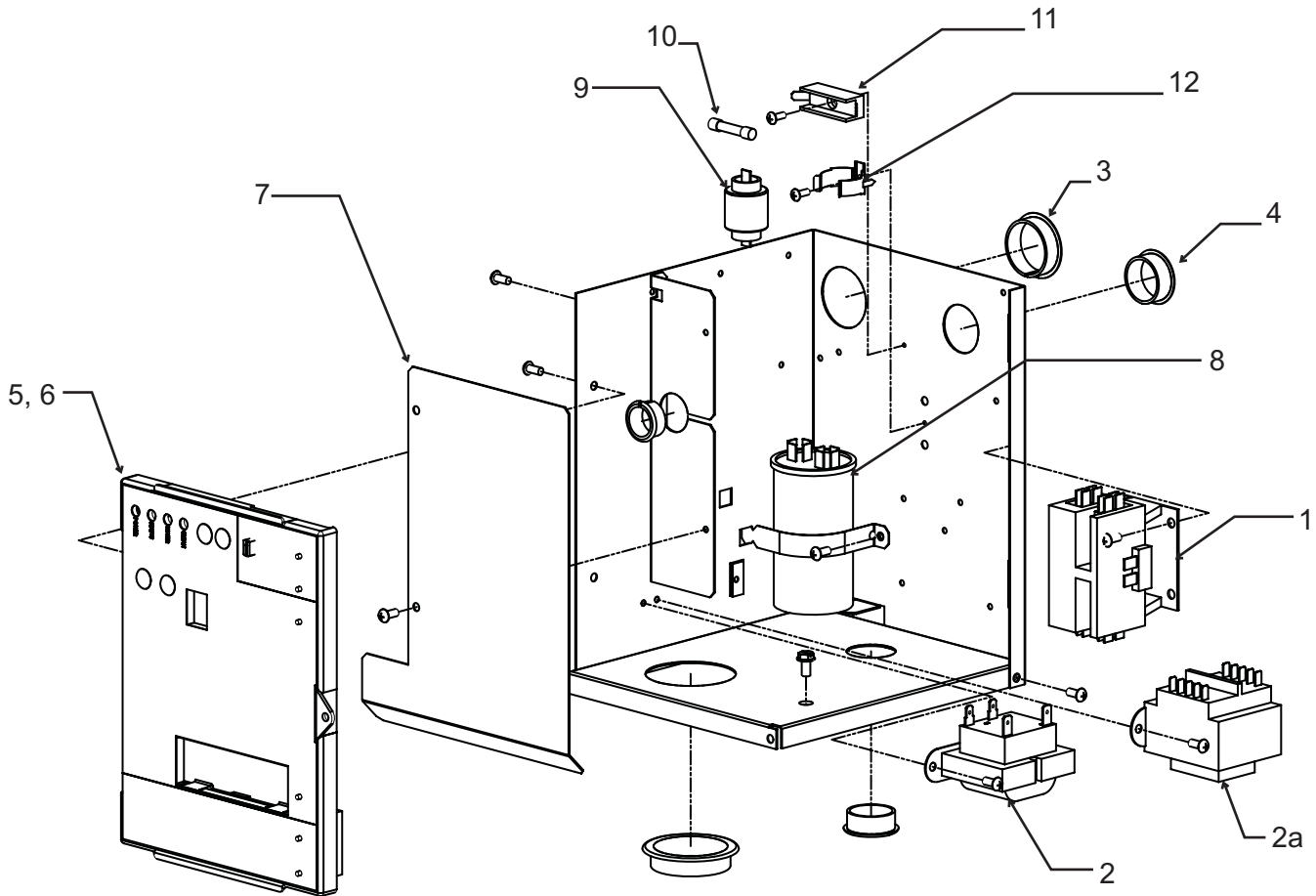
Remote Refrigeration System



Item Number	Part Number	Description	Item Number	Part Number	Description
1	16-1026-01	Receiver	11	11-0493-01	Liquid line valve or HGV, 230 volt
2	16-1130-02	TXV	12	16-0832-20	Access valve
	02-4045-01	insulation Danfoss TXV		16-0832-03	Port cap
3	16-0850-01	Discharge quick connect		16-0832-02	Stem cap
4	16-0850-03	Liquid quick connect	13	16-1063-01	Strainer
5	02-3319-02	Drier	14	A37211-001	Top receiver bracket
6	16-1030-01	Liquid line access valve	15	A37212-001	Bottom receiver bracket
7	see page 10	Compressors	16	02-3692-21	Drain adapter
8	see page 10	Compressor mounting hdw	17	16-1122-21	Accumulator, kit w/insulation
8a	see page 10	Crankcase heater			
9	02-4067-03	Side panel support,			
10	11-0501-22	High pressure cut out			

C1448, C1848, C2148 Service Parts

Electrical & Control Box



Item Number	Part Number	Description
1	12-2469-02	Contactors, 230, single ph
	12-2533-01	Contactors, three phase
2	12-2924-02	Transformer, 230 volt
2a	12-2369-01	Transformer, 50 Hz
3	12-1213-11	Snap bushing
4	12-1213-15	Snap bushing
5	11-0550-20	Service controller, fits all Prodigy cubers
6	02-4076-01	Control box door
	02-4189-01	Overlay label
7	A39216-001	Barrier
8		see next page Run capacitor
9		see next page PTCR -
10	12-2686-01	Fuse, 50 Hz only
11	12-2687-01	Fuse holder
12	18-8840-02	Bracket
		Wiring Harnesses (not illustrated)
13	12-2931-01	Power harness, A & W
	12-2931-02	Power harness, Remote
		Power harness connects to J1 on controller
14	12-2937-01	Hi voltage harness, A & W
	12-2938-01	Hi voltage harness, Rem
	12-2944-01	Hi voltage, 50 Hz A & W
	12-2944-02	Hi voltage, 50 Hz, Rem
		Hi voltage harness has the 8 pin connector
15	12-2928-02	Water level sensor harness

C1448, C1848, C2148 Service Parts

Compressors

Model	Electrical	Compressor	Run Capacitor	PTCR
C1448-32	208-230/60/1	18-8749-22	18-1902-55	18-8840-01
C1448-6	230/50	18-8749-27	18-1902-55	18-8840-01
C1448-3	208-230/60/3	18-8749-24	-	-
C1848-32	208-230/60/1	18-8751-23	18-1902-58	18-8840-01
C1848-6	230/50	18-8751-27	18-1902-58	18-8840-01
C1848-3	208-230/60/3	18-8751-25	-	-
C2148-32 - WC	208-230/60/1	18-8930-24	18-1902-27	18-8840-01
C2148-6 - WC	230/50	18-8930-26	18-1902-59	18-8840-01
C2148-3 - WC	208-230/60/3	18-8930-25	-	-
C2148-32 - RC	208-230/60/1	18-8923-22	18-1902-27	18-8840-01
C2148-6 - RC	230/50	18-8923-26	18-1902-59	18-8840-01
C2148-3 - RC	208-230/60/3	18-8923-23	-	-

Compressor Mounting Hardware

Model	Bolt	Washer	Grommet	Sleeve
C1448, C1848	03-1420-20	03-1407-07	18-2300-27	18-2300-26
C2148	03-1405-20	03-1407-07	18-2300-27	18-2300-26

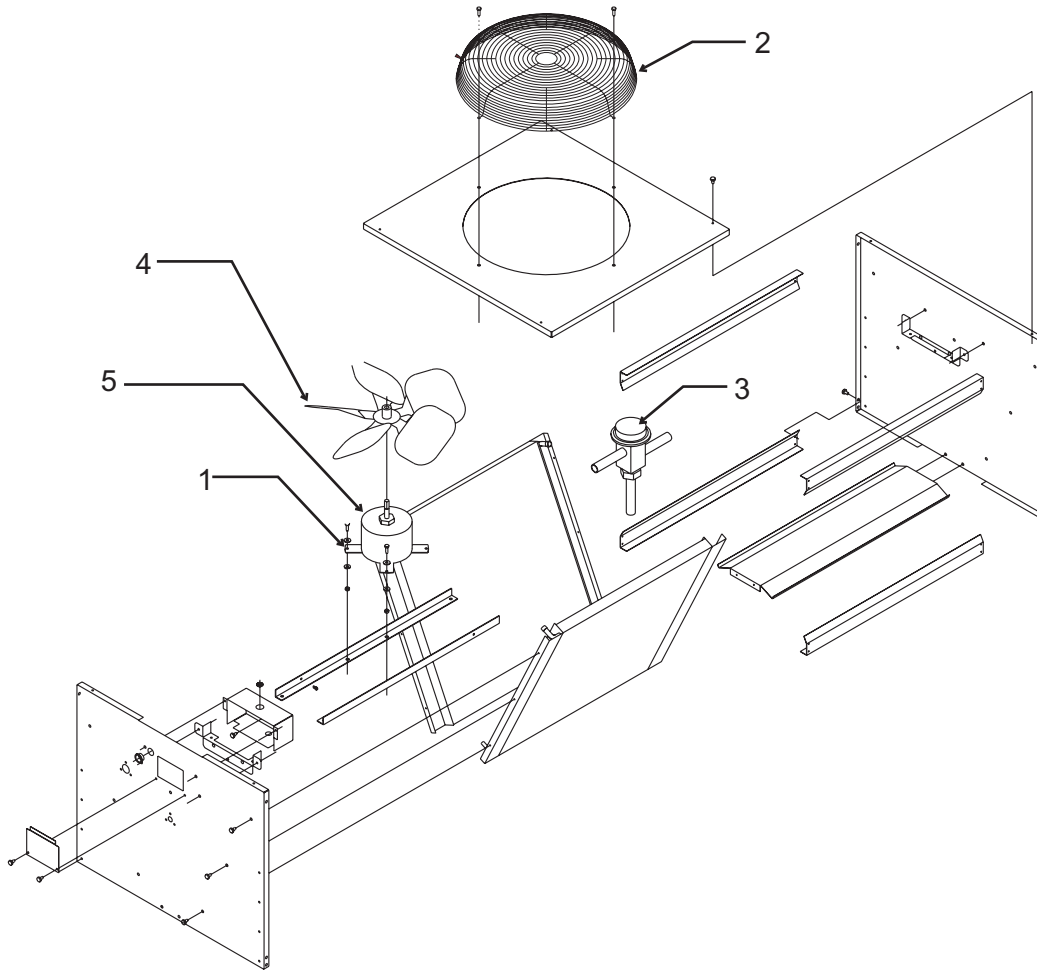
Crankcase Heaters

Model	Crankcase heater*
C1448R, C1848R, C2148R	18-2308-01

* Included with replacement compressor

C1448, C1848, C2148 Service Parts

Remote Condenser, ERC311 and ERC611



Item Number	Part Number	Description
1	03-1405-08	Screw
2	02-3575-01	Fan guard
3	16-1044-01	Headmaster
4	18-8816-01	Fan blade - ERC311
	18-8820-01	Fan blade - ERC611
5	12-2651-01	Fan motor - ERC311
	12-2717-01	Fan motor - ERC611

Not Shown:

A37169-001	Leg
A37170-001	Leg brace - ECR311
A37296-001	Leg brace - ERC611
03-1645-01	Screw for legs
16-0850-01	Quick connect, discharge
16-0850-03	Quick connect, liquid