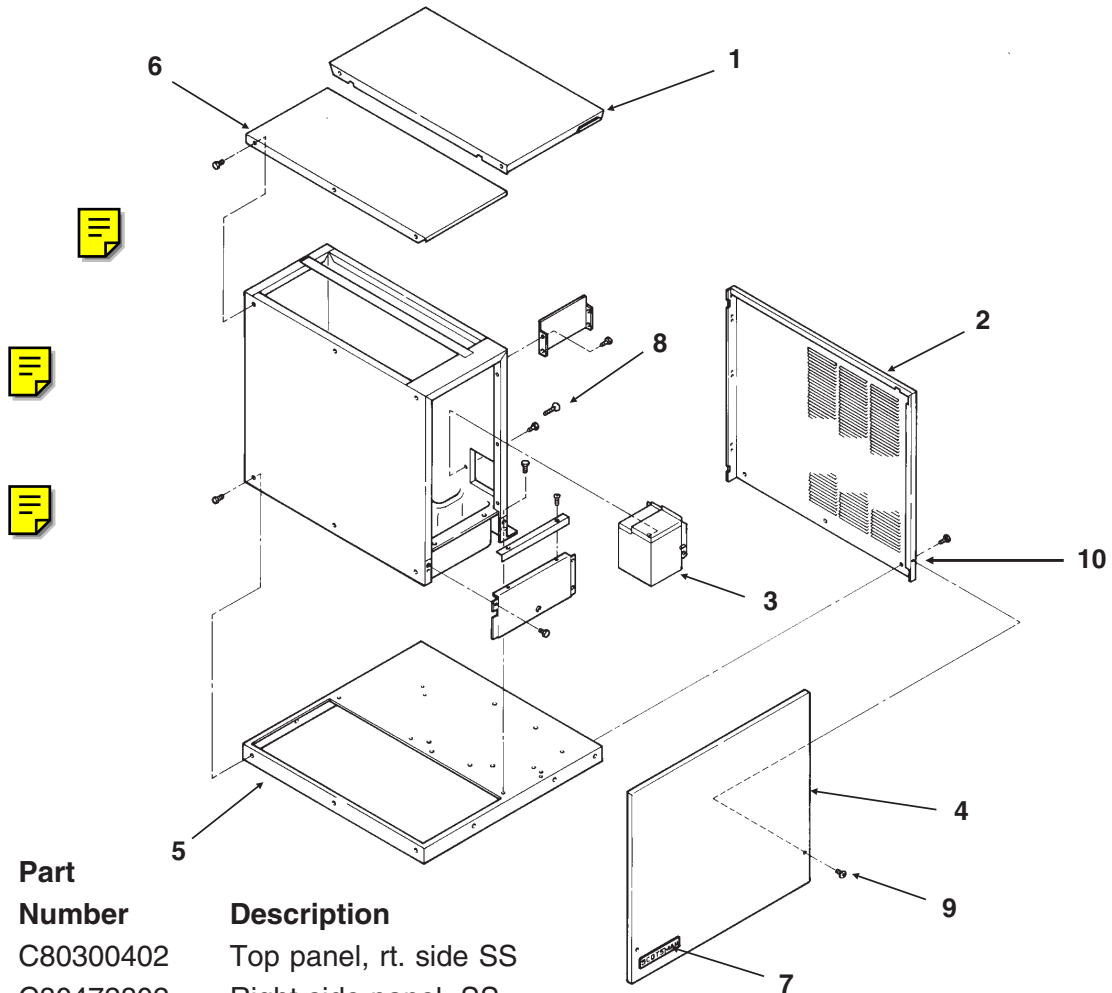


SLE400 Service Parts

Table of Contents

| | |
|---|--------|
| Cabinet | page 2 |
| Air Cooled | page 3 |
| Water Cooled | page 4 |
| Freezing Compartment & Water System | page 5 |
| Control Box | page 6 |
| Bins | page 7 |
| Wiring Diagram | page 8 |

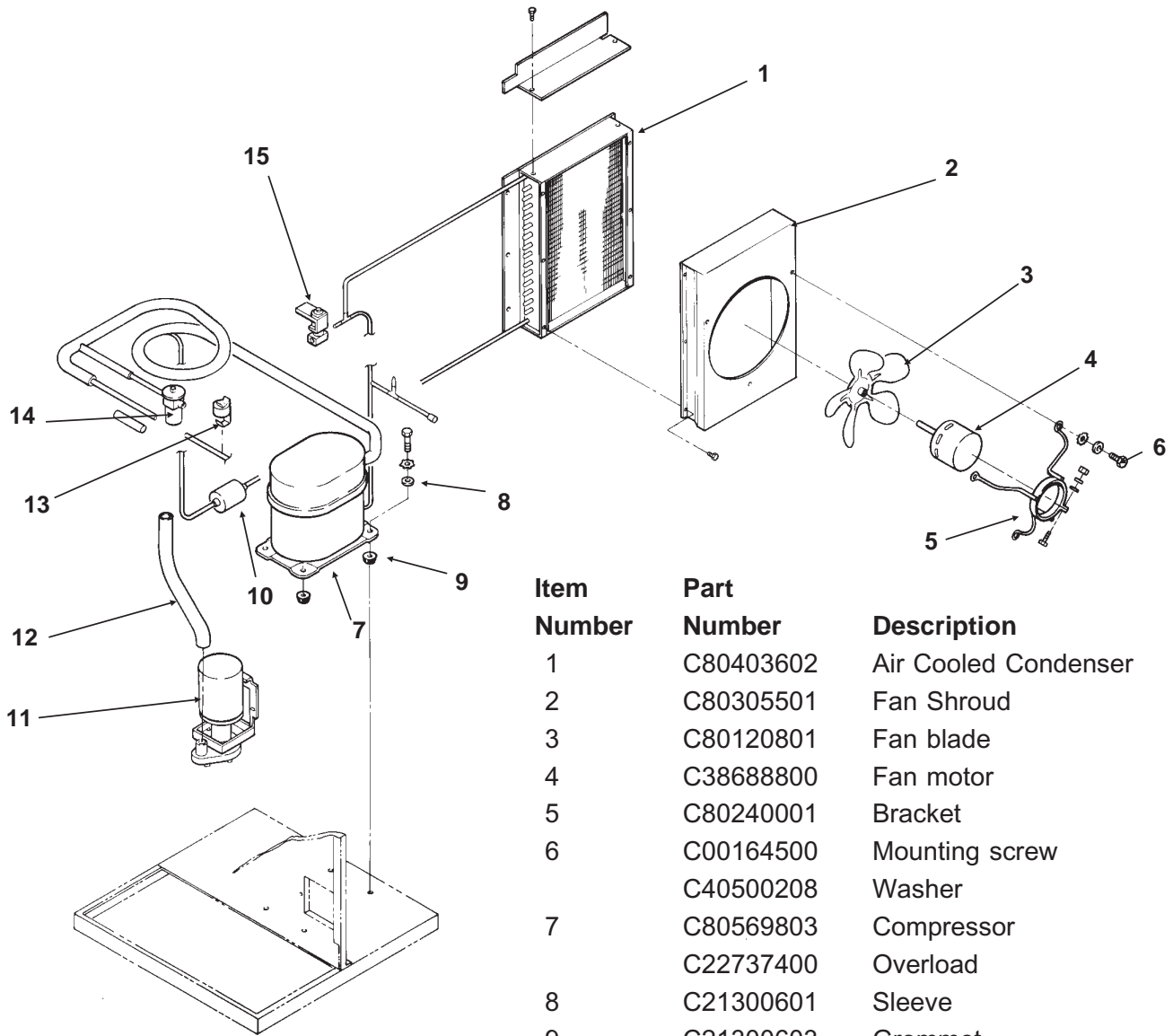
SLE400 Service Parts Cabinet



| Item Number | Part Number | Description |
|-----------------|-------------|-----------------------------------|
| 1 | C80300402 | Top panel, rt. side SS |
| 2 | C80472802 | Right side panel, SS |
| 3 | C80449201 | Pump cover |
| 4 | C80316007 | Front panel (flat) complete, SS |
| | C86695701 | Front panel (rounded corners) |
| | C39902100 | Gasket, order per foot. 49" req. |
| | C80306201 | Liner |
| 5 | C80285402 | Compressor deck, metal only |
| | C80317301 | Base liner |
| 6 | C80304602 | Top panel, lft side SS |
| 7 | C80559302 | Emblem, grey |
| 8 | C44695102 | Thumbscrew |
| 9 | C38990905 | Screw |
| 10 | C43210900 | Insert for front panel screw |
| Not Illustrated | | |
| 11 | C35926400 | Thumbscrew for bin thermo bracket |
| 12 | C34196202 | Bin thermostat bracket |

SLE400 Service Parts

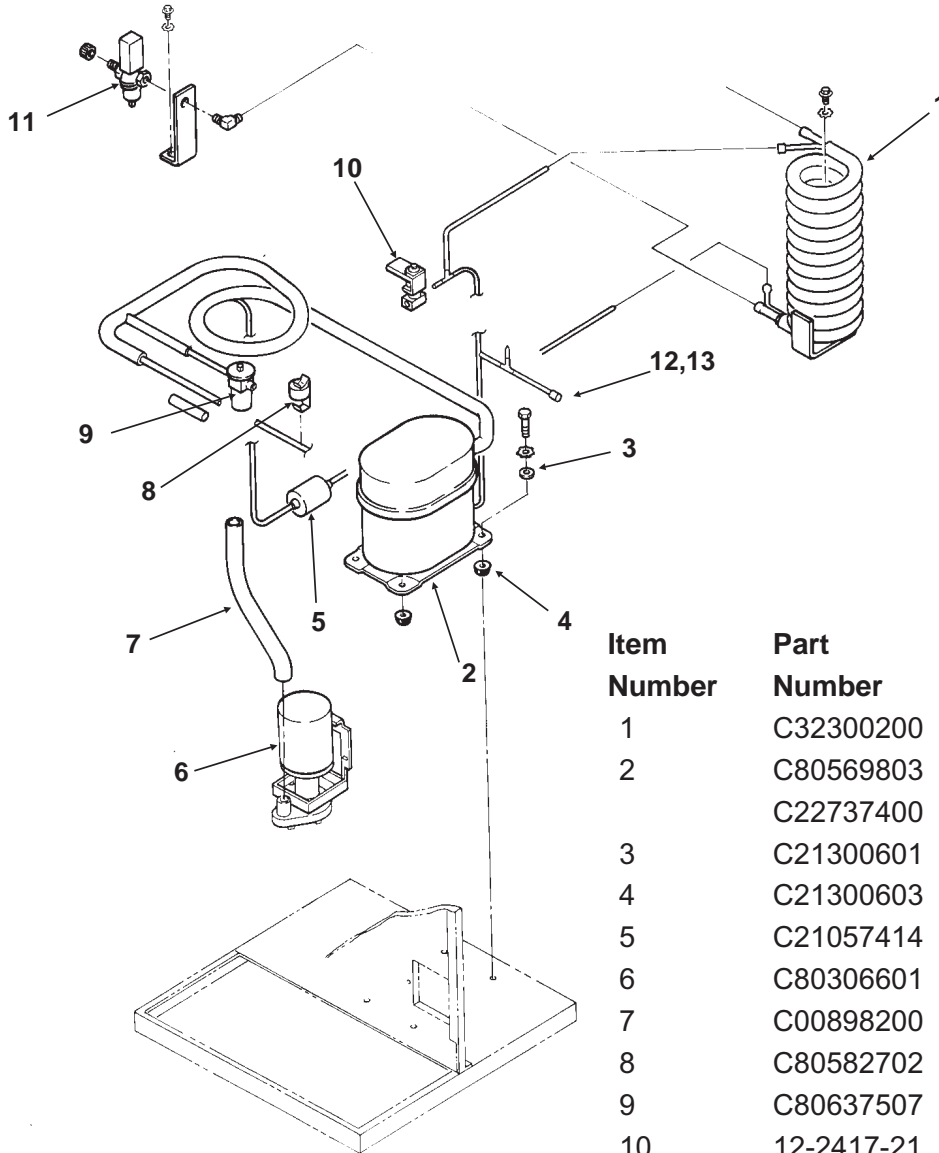
Air Cooled Refrigeration



| Item Number | Part Number | Description |
|-------------|-------------|--------------------------------|
| 1 | C80403602 | Air Cooled Condenser |
| 2 | C80305501 | Fan Shroud |
| 3 | C80120801 | Fan blade |
| 4 | C38688800 | Fan motor |
| 5 | C80240001 | Bracket |
| 6 | C00164500 | Mounting screw |
| | C40500208 | Washer |
| 7 | C80569803 | Compressor |
| | C22737400 | Overload |
| 8 | C21300601 | Sleeve |
| 9 | C21300603 | Grommet |
| 10 | C21057414 | Drier |
| 11 | C80306601 | Water pump |
| 12 | C00898200 | Tube |
| 13 | C80582702 | Harvest termination thermostat |
| 14 | C80637507 | Thermo Exp. Valve |
| 15 | 12-2417-21 | Hot gas valve body & coil |

SLE400 Service Parts

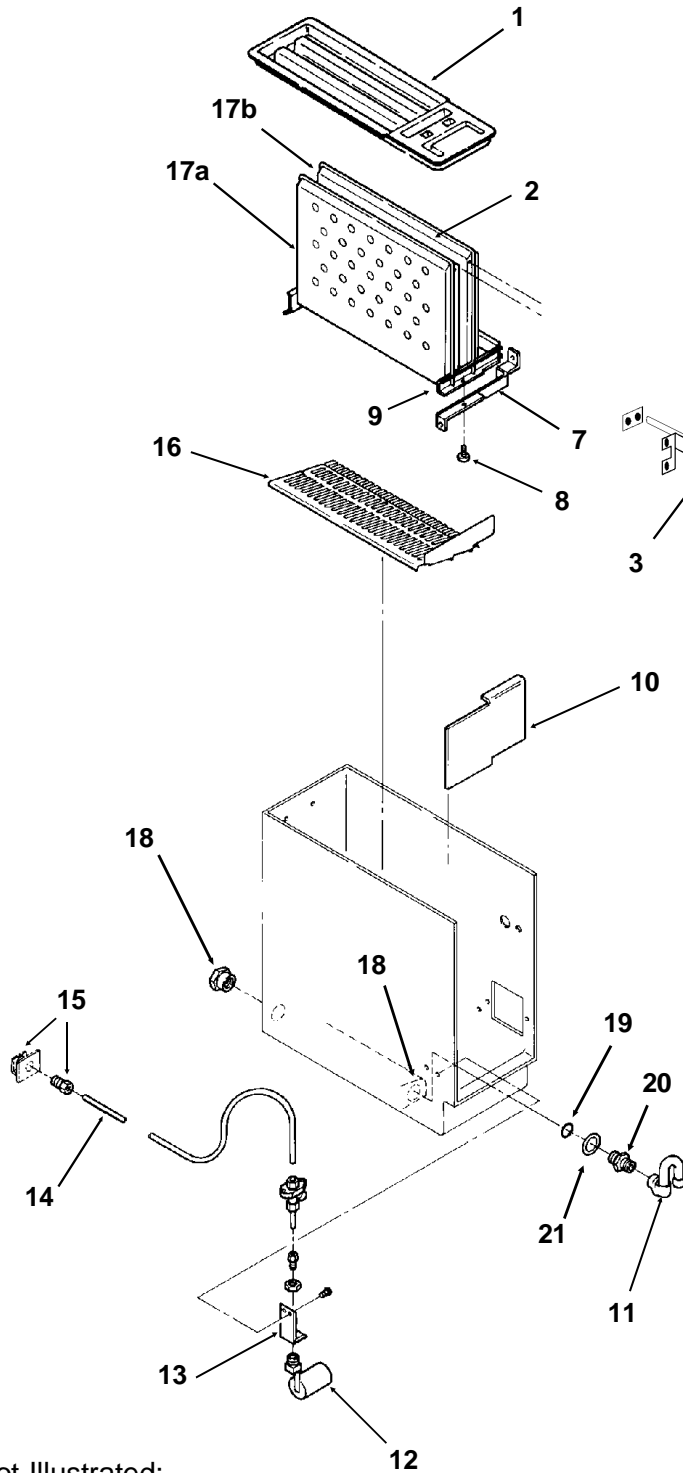
Water Cooled Refrigeration



| Item Number | Part Number | Description |
|-------------|-------------|--------------------------------|
| 1 | C32300200 | Water cooled condenser |
| 2 | C80569803 | Compressor |
| | C22737400 | Overload |
| 3 | C21300601 | Sleeve |
| 4 | C21300603 | Grommet |
| 5 | C21057414 | Drier |
| 6 | C80306601 | Water pump |
| 7 | C00898200 | Tube |
| 8 | C80582702 | Harvest termination thermostat |
| 9 | C80637507 | Thermo Exp. Valve |
| 10 | 12-2417-21 | Hot gas valve body & coil |
| 11 | C80585401 | Water reg valve |
| 12 | C26541100 | Schrader valve core |
| 13 | C32943500 | Schrader valve cap |

SLE400 Service Parts

Freezing Compartment & Water System



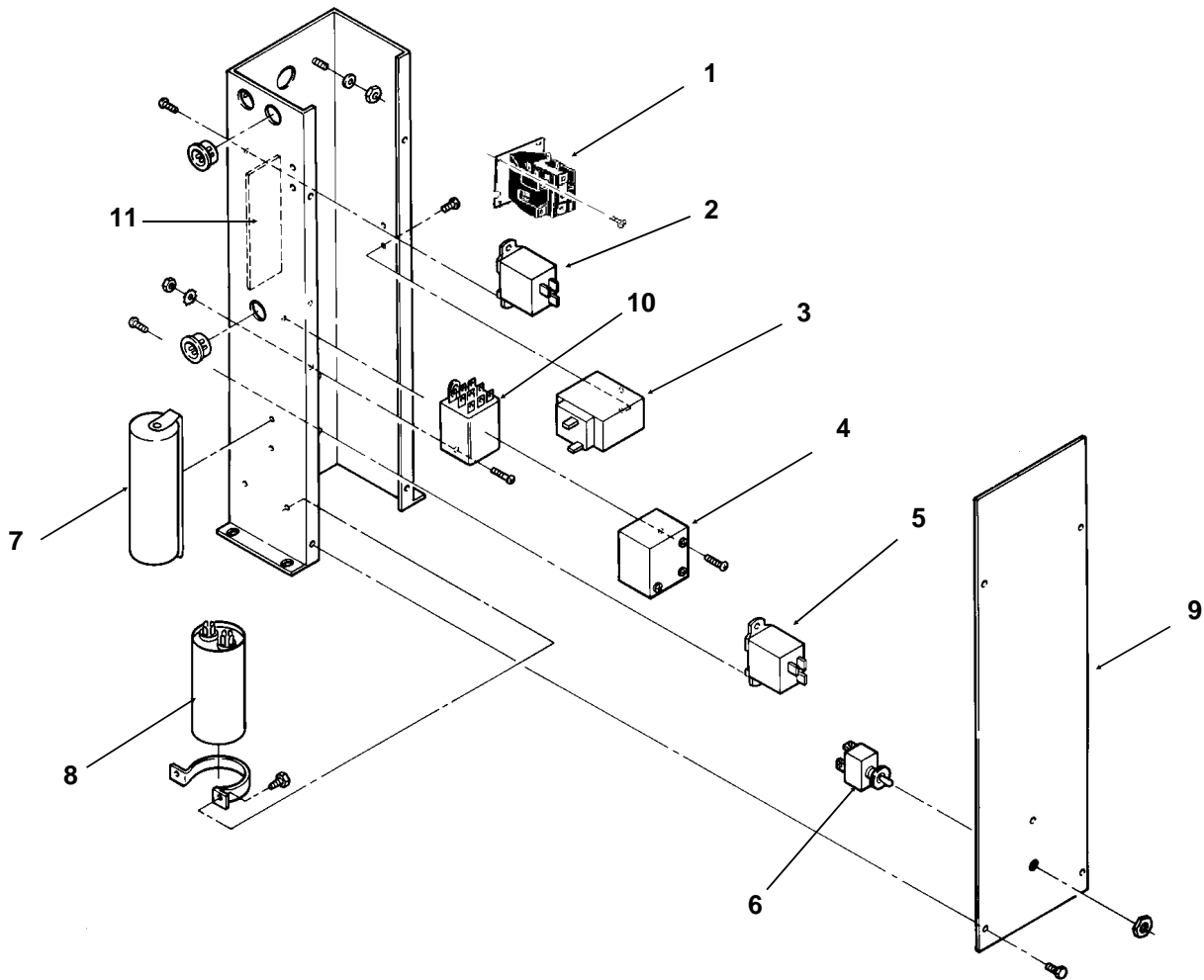
| Item Number | Part Number | Description |
|-------------|-------------|--|
| 1 | C80307801 | Water distributor pan |
| 2 | C80561501 | Plastic tube stand-off (not shown, attached to left evap) |
| 3 | C90100100 | Adjustment Bracket & Tube |
| 4 | C80562201 | Ice thickness probe tube |
| 5 | C11800501 | Ice size heater |
| 6 | C28037301 | Ice size thermostat |
| 7 | C80304601 | Front evap support |
| 8 | C35926400 | Thumb screw |
| 9 | C80308001 | Evap support assembly |
| 10 | C80315801 | Splash shield |
| 11 | C80333401 | Drain assembly complete |
| 12 | C80283601 | Float valve |
| 13 | C80300901 | Valve bracket |
| 14 | C44697000 | Tubing, 1/4" poly |
| 15 | C80323901 | Water inlet adapter |
| 16 | C80375001 | Ice rack |
| 17a | C80359604 | Left evaporator |
| 17b | C80359601 | Middle or right Evaporator |
| 18 | C80451901 | PVC Drain fitting |
| 19 | C80452101 | Grommet |
| 20 | C80451801 | Male connector |
| 21 | C80452001 | Drain washer |

Not Illustrated:

| | | |
|----|-----------|-----------------------------|
| 22 | C80300801 | Rt. side ice deflector |
| 23 | C01231300 | Thumb nut |
| 24 | C80465201 | Top evaporator bracket |
| 25 | C45688800 | Refrigerant distributor |
| 26 | C80311301 | Evap. inlet tube assy. |
| 27 | C80452301 | Drain tube assembly Inc.#18 |

SLE400 Service Parts

Control Box



| Item Number | Part Number | Description |
|-------------|-------------|---|
| 1 | C43216001 | Contactor |
| 2 | C28037301 | Ice size thermostat |
| 3 | C46297900 | High pressure cut out - Water Cooled Only |
| 4 | C80193101 | Compressor start relay |
| 5 | C80582201 | Bin thermostat |
| 6 | C80012902 | Ice/Off/Wash switch |
| 7 | C18381906 | Start capacitor |
| 8 | C43753911 | Run capacitor |
| 9 | C80315201 | Control box cover upper section |
| 10 | C80324101 | Harvest relay |
| 11 | C18223900 | Terminal block |

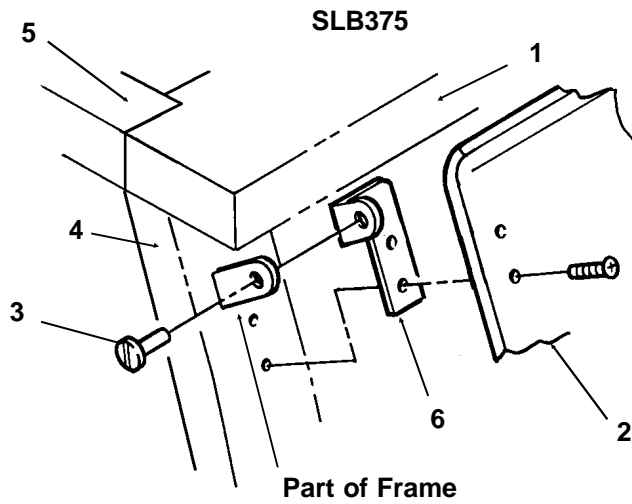
Not Illustrated:

| | | |
|----|-----------|----------------------------------|
| 12 | C47139709 | Fan motor cord |
| 13 | C46292701 | K1 Relay |
| 14 | C80306801 | Control box cover, lower section |

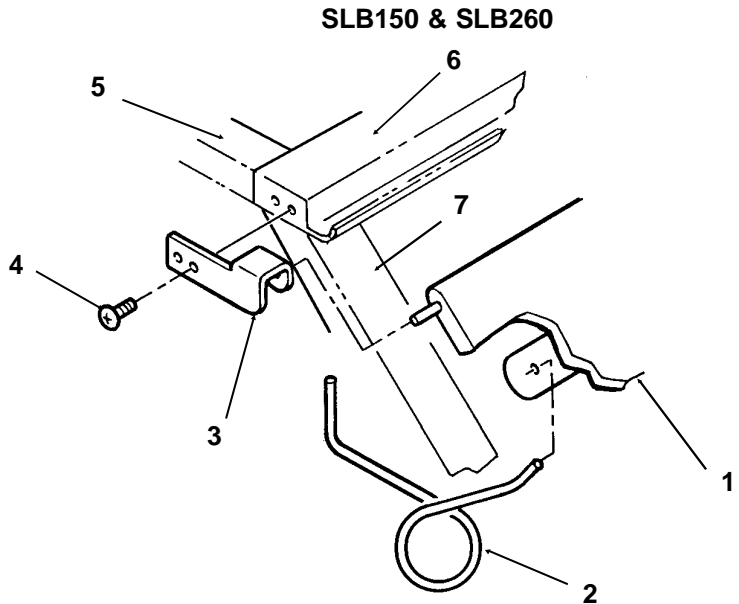


SLE400 Service Parts

Ice Storage Bins



| Item Number | Part Number | Description |
|------------------|-------------|------------------------------------|
| 1 | C80211705 | Canopy |
| 2 | C80230902 | Bin door assembly (includes hinge) |
| 3 | C80206901 | Hinge pin |
| 4 | C80209504 | Door frame assembly |
| 5 | 19-0503-04 | Gasket tape, 90" |
| 6 | C80206601 | Hinge for door, rt |
| | C80206602 | Hinge for door, lft |
| Not illustrated: | | |
| 7 | C80399201 | Clear button |
| 8 | C80511301 | Baffle |



| Item Number | Part Number | Description |
|-------------|-------------|--------------------|
| 1 | C19475304 | Door Assembly |
| 2 | C19629100 | Door spring |
| 3 | C80299602 | Left door hinge |
| | C80299601 | Right door hinge |
| 4 | C19632604 | Hinge pin |
| 5 | 19-0503-04 | Gasket tape, 90" |
| 6 | C80307602 | Canopy |
| 7 | C80309002 | Door frame assy |
| SLB150 Only | | |
| | C34196203 | Bin thermo bracket |

Drain Parts:
SLB375 and SLB260
 Female fitting, pn C80205501
 Male fitting, pn C80205301
 Flanged hex nut, pn C80205401
SLB150
 Drain fitting, pn C36619500
 Drain cup, pn C36619600
 Dran cap, pn C36619400

Leg Set is KLP2E
Scoop is PN 02-0540-00

SLE400 Service Parts Wiring Diagram

