

RL Single System SERVICE PARTS

This parts list contains the service parts and wiring diagrams for the following models:

FME1202RL
NME952RL
FM1202RL
NM952RL
FME1500RL
NME1250RL

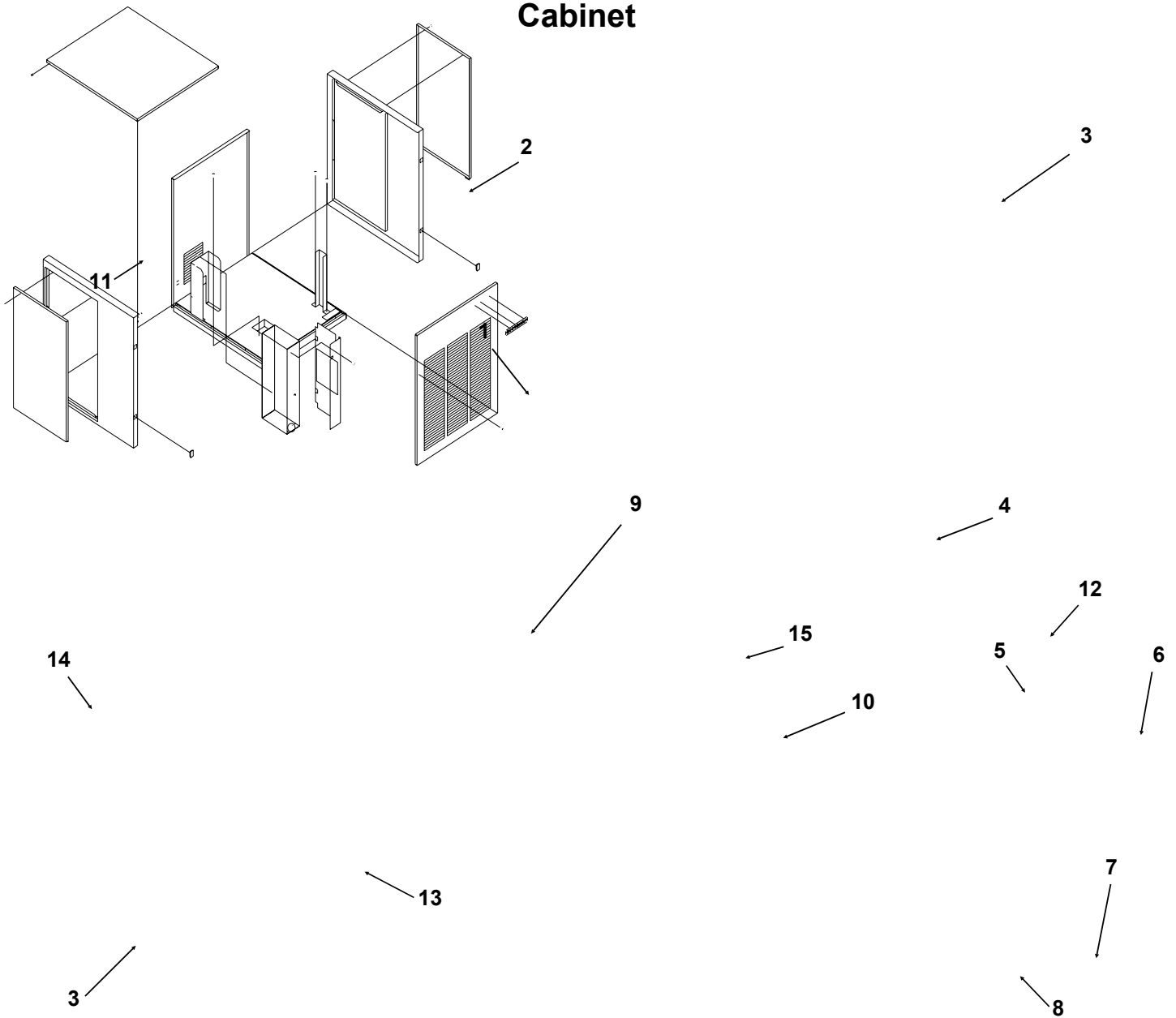
Check the model number of the machine requiring the parts to be sure that this is the correct parts list.

TABLE OF CONTENTS

Cabinet Assembly	Page 2
Water System	Page 3
Refrigeration System	Page 4
Evaporator for FM & FME type models	Page 5
Evaporator for NM & NME type models	Page 6
Gearmotor.....	Page 7
Control Box.....	Page 8
Wiring Diagrams	Page 9

RL Single System SERVICE PARTS

Cabinet

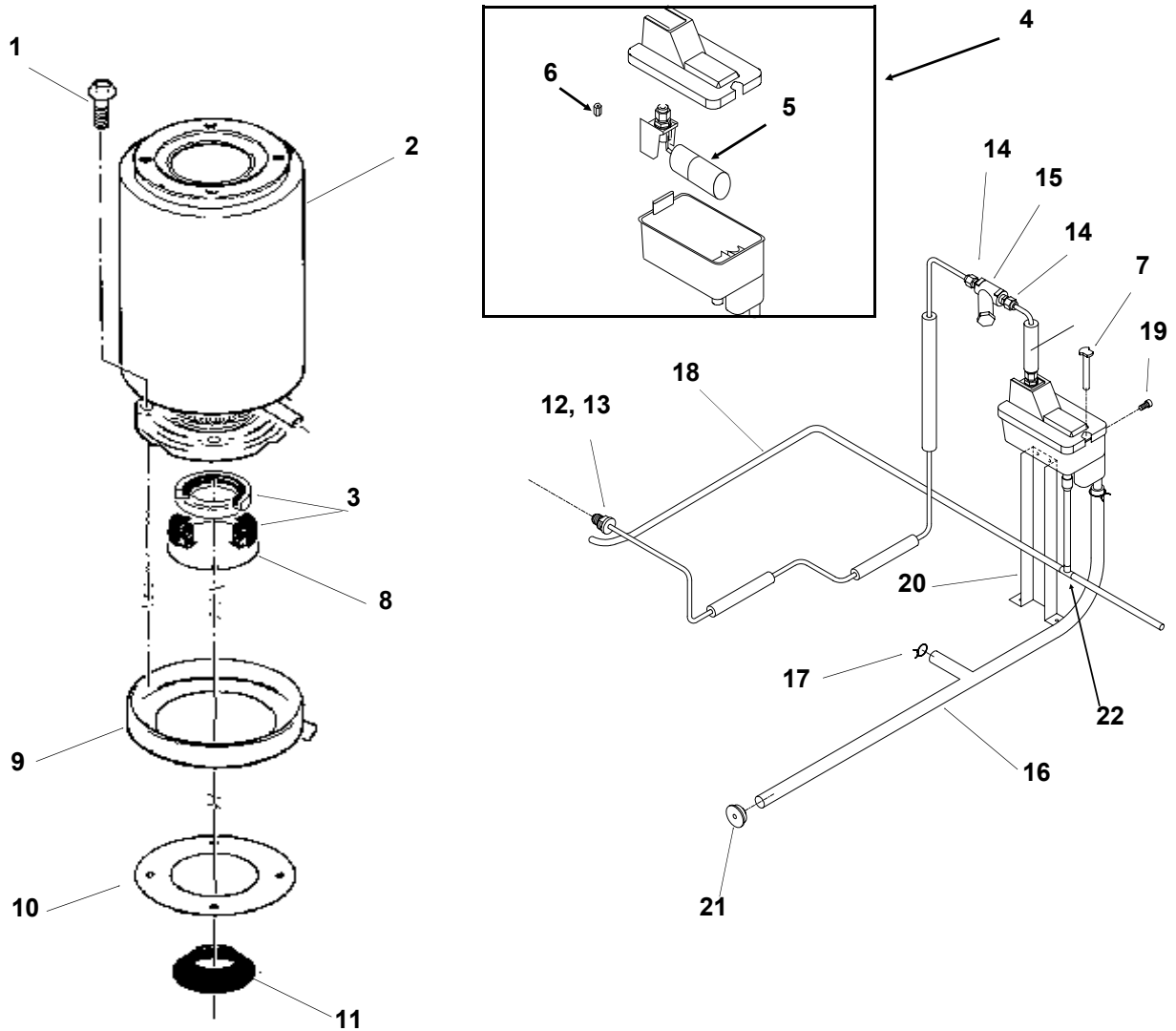


ITEM NUMBER	PART NUMBER	DESCRIPTION
1	A35924-015	Back panel, gray
2	A33256-015	Top panel, gray
	A33256-002	Top Panel, S.S.
3	A34038-015	Service panel, gray
	A34038-002	Service Panel, S.S.
4	A33292-015	Right side panel, gray
	A33292-002	Right Side Panel, S.S.
5	03-0271-00	Speed Clip (order 3)
6	15-0808-03	Emblem, grey
7	03-1419-22	Screw

ITEM NUMBER	PART NUMBER	DESCRIPTION
8	A33255-015	Front panel, gray
	A33255-002	Front Panel, S.S.
9	A34039-001	Control Box Support
10	A35890-001	Base
11	03-1531-01	Screw
12	02-0836-00	Catch
13	A32435-015	Left side panel, gray
	A32435-002	Left Side Panel, S.S.
14	03-1404-12	Screw
15	A36078-001	Reservoir Bracket

RL Single System SERVICE PARTS

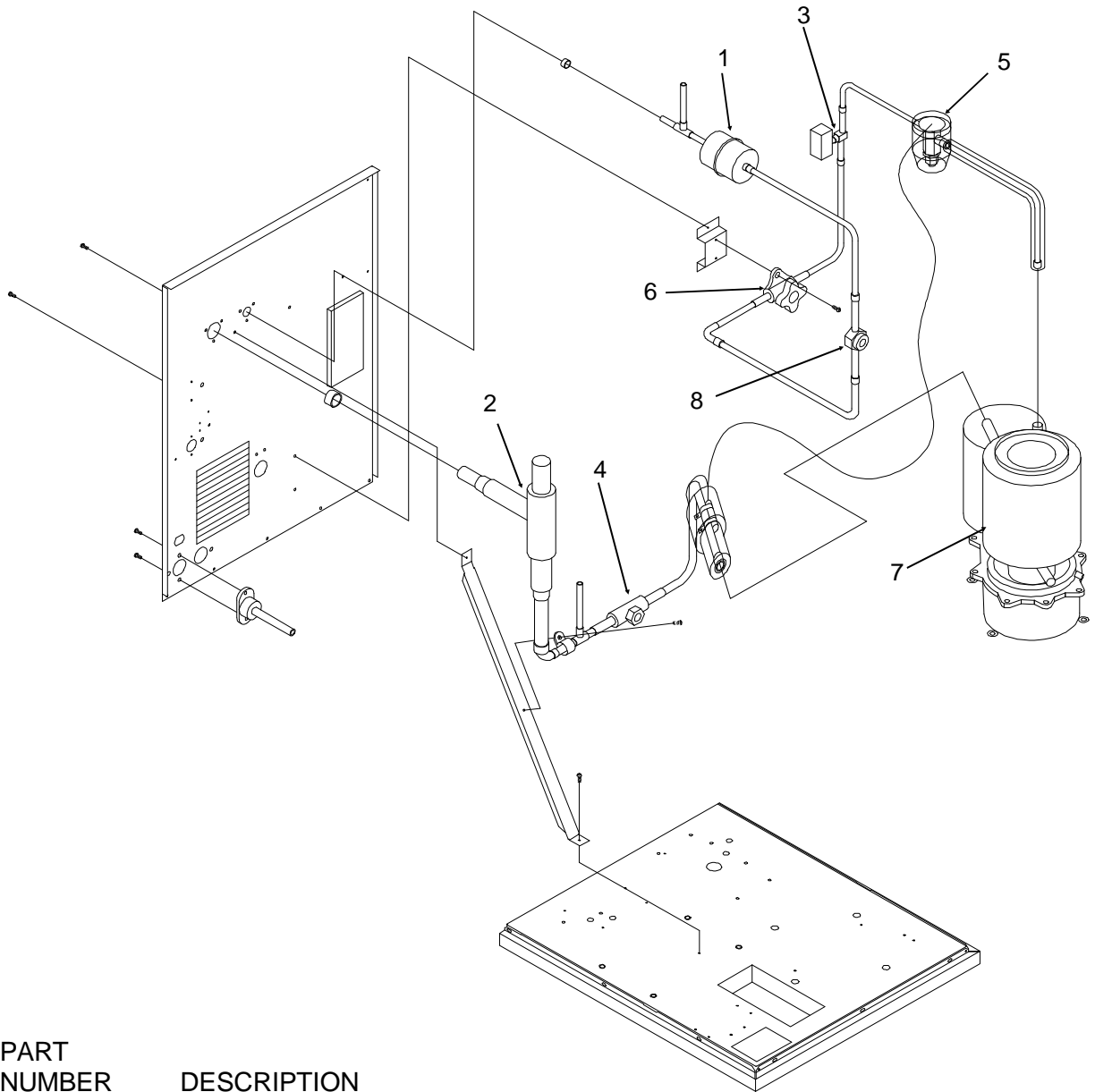
Water System



ITEM NUMBER	PART NUMBER	DESCRIPTION	ITEM NUMBER	PART NUMBER	DESCRIPTION
1	03-1405-46	Cap Screw	15	16-0162-00	Strainer - not used after 11/97
2	A32890-020	Evaporator	16	A36154-001	Evap. water inlet tube
3	02-0929-23	Water Seal	17	02-1338-00	Hose clamp
4	02-3266-20	Reservoir & valve	18	13-0079-03	Res. overflow hose 33"
5	02-3266-21	Float valve	19	03-1639-03	Screw
6	02-3266-03	Plunger/seat	20	A36078-002	Reservoir bracket
7	A33101-022	Water Level Sensor	21	13-0840-01	Rubber cap
8	A32777-001	Retaining Ring for Seal	22	16-0670-02	Tee
9	A32050-001	Drip Pan			
10	13-0704-00	Gasket			
11	13-0868-01	Water Shed			
12	A27318-001	Water Inlet Fitting for copper			
	16-0835-01	Inlet fitting			
	16-1039-01	Male connector for plastic			

RL Single System SERVICE PARTS

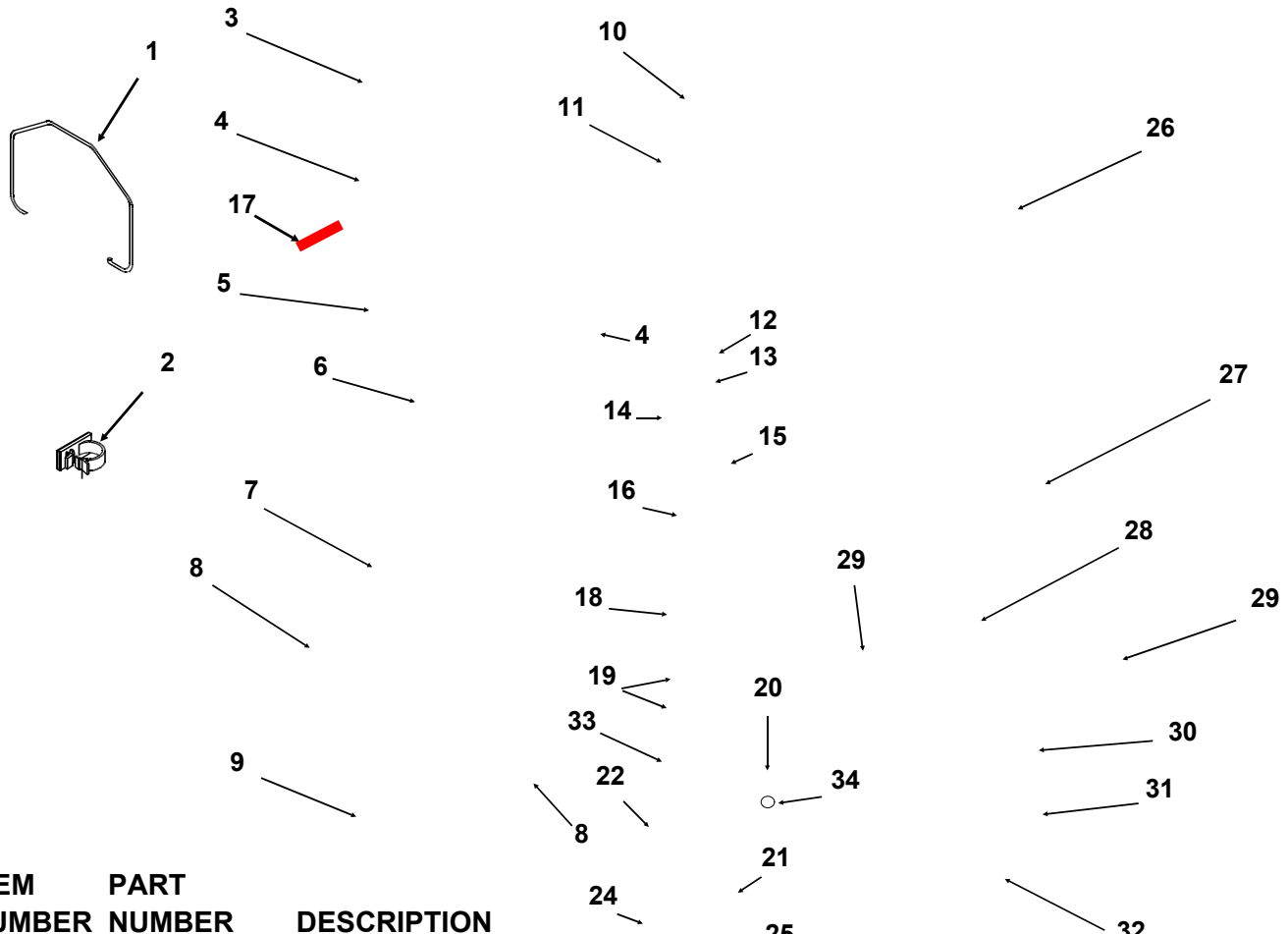
Refrigeration System



ITEM NUMBER	PART NUMBER	DESCRIPTION
1	02-3319-03	Dryer
2	A32859-001	EPR Valve, 950, 1200 series
	A32859-002	EPR Valve, 1250, 952, 1202 and 1500 series
3	12-2135-22	Solenoid Valve
4	A32855-001	Ball Valve
5	11-0488-21	TXV for FME1200RL or NME950RL (R-404A)
	11-0482-21	TXV for FME1500RL or NME1250RL (R-404A)
	11-0477-21	TXV for FM1202RL or NM952RL (R-22)
6	A32858-001	Shut Off Valve
7	A32890-020	Evaporator
8	16-0762-02	Sight Glass

RL Single System SERVICE PARTS

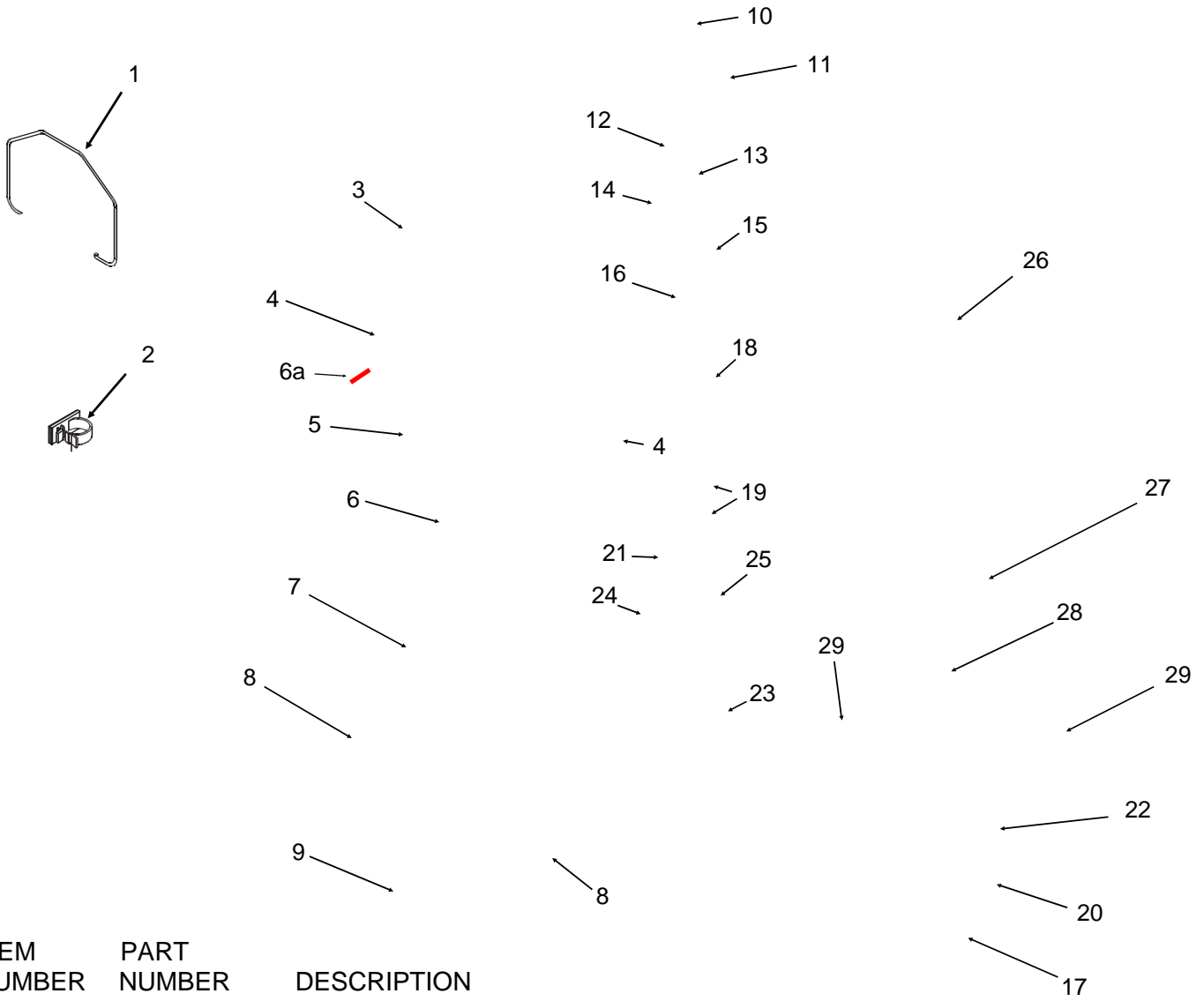
FM or FME Evaporator, Chute, Bin Controls



ITEM NUMBER	PART NUMBER	DESCRIPTION
1.	A34969-001	Bail clip
2.	02-3268-01	Drain tube holder
3.	02-2930-04	Ice Chute Cover
4.	A32963-001	Insulation Top (half)
5.	02-2926-01	Ice Chute Body
6.	A33102-001	Insulation Collar Inside
7.	02-2929-04	Ice Chute Lower
8.	A37708-021	Bin Controls Assy. (set of 2)
9.	A32930-001	Chute Gasket
10.	03-1405-52	Hex Cap Screw
11.	02-3001-01	Ice Sweep
12.	13-0871-01	Water Shed
13.	02-2978-01	Lip Seal
14.	02-3128-20	Breaker Cover
15.	13-0617-54	O-Ring
16.	08-0660-01	Auger Stud, thrust Washer
17.	A35419-020	Strap kit
18.	A34559-020	Bearing
19.	02-2977-01	Lip Seal
20.	03-1405-27	Screw
21.	13-0617-52	O-Ring
22.	02-2916-01	Slotted Collar
23.	13-0617-45	O-Ring
24.	03-1544-08	Soc. Head Screw
25.	A34505-020	Breaker (Divider) (includes 18 & 19)
26.	A38071-022	Auger
27.	A32890-020	Evaporator
28.	03-1420-03	Cap Screw
29.	A32962-001	Insulation Bot. (half)
30.	A32050-001	Drip Pan
31.	13-0704-00	Drip Pan Gasket
32.	13-0868-01	Water Shed
33.	13-0617-49	O-Ring
34.	03-1408-36	Washer

RL Single System SERVICE PARTS

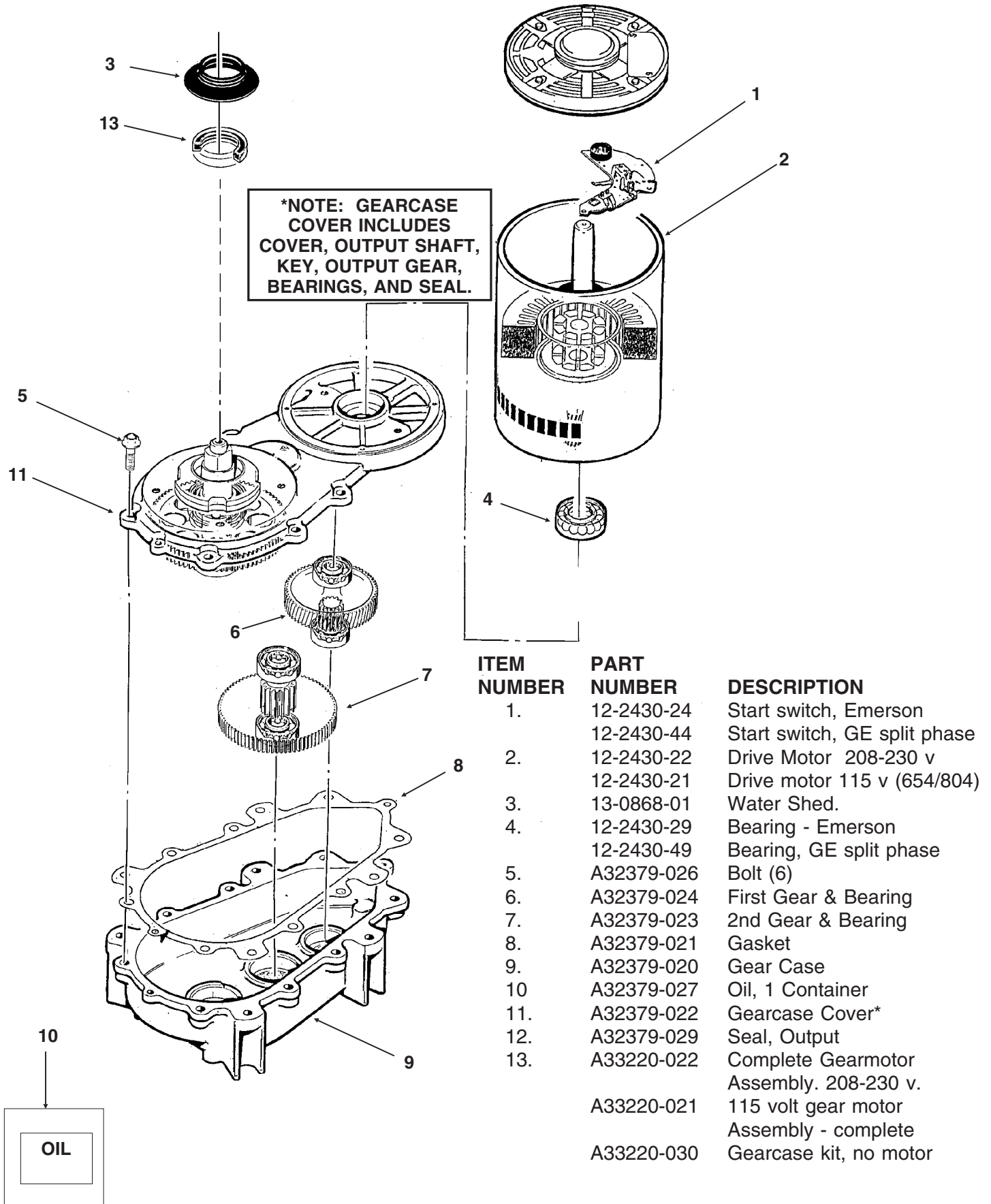
NM or NME Evaporator



ITEM NUMBER	PART NUMBER	DESCRIPTION
1.	A34969-001	Bail clip
2.	02-3268-01	Drain tube holder
3.	02-2930-04	Ice Chute Cover
4.	A32963-001	Insulation Top (half)
5.	02-2926-01	Ice Chute Body
6.	A33102-001	Insulation Collar Inside
6a	A35419-020	Strap kit
7.	02-2929-04	Ice Chute Lower
8.	A33117-020	Bin Controls Assy. (set of 2)
9.	A32930-001	Chute Gasket
10.	03-1405-52	Hex Cap Screw
11.	02-3001-01	Ice Sweep
12.	13-0871-01	Water Shed
13.	02-2978-01	Lip Seal
14.	02-3128-01	Breaker Cover
15.	13-0617-52	O-Ring
16.	08-0660-01	Auger Stud & washer
17.	13-0868-01	Water Shed
18.	A34559-020	Bearing
19.	02-2977-01	Lip Seal
20.	13-0704-00	Drip Pan Gasket
21.	13-0617-54	O-Ring
22.	A32050-001	Drip Pan
23.	13-0617-45	O-Ring
24.	03-1544-08	Soc. Head Screw
25.	A32900-020	Breaker (includes 18 & 19)
26.	02-3003-01	Auger
27.	A32890-020	Evaporator
28.	03-1420-03	Cap Screw
29.	A32962-001	Insulation Bot. (half)

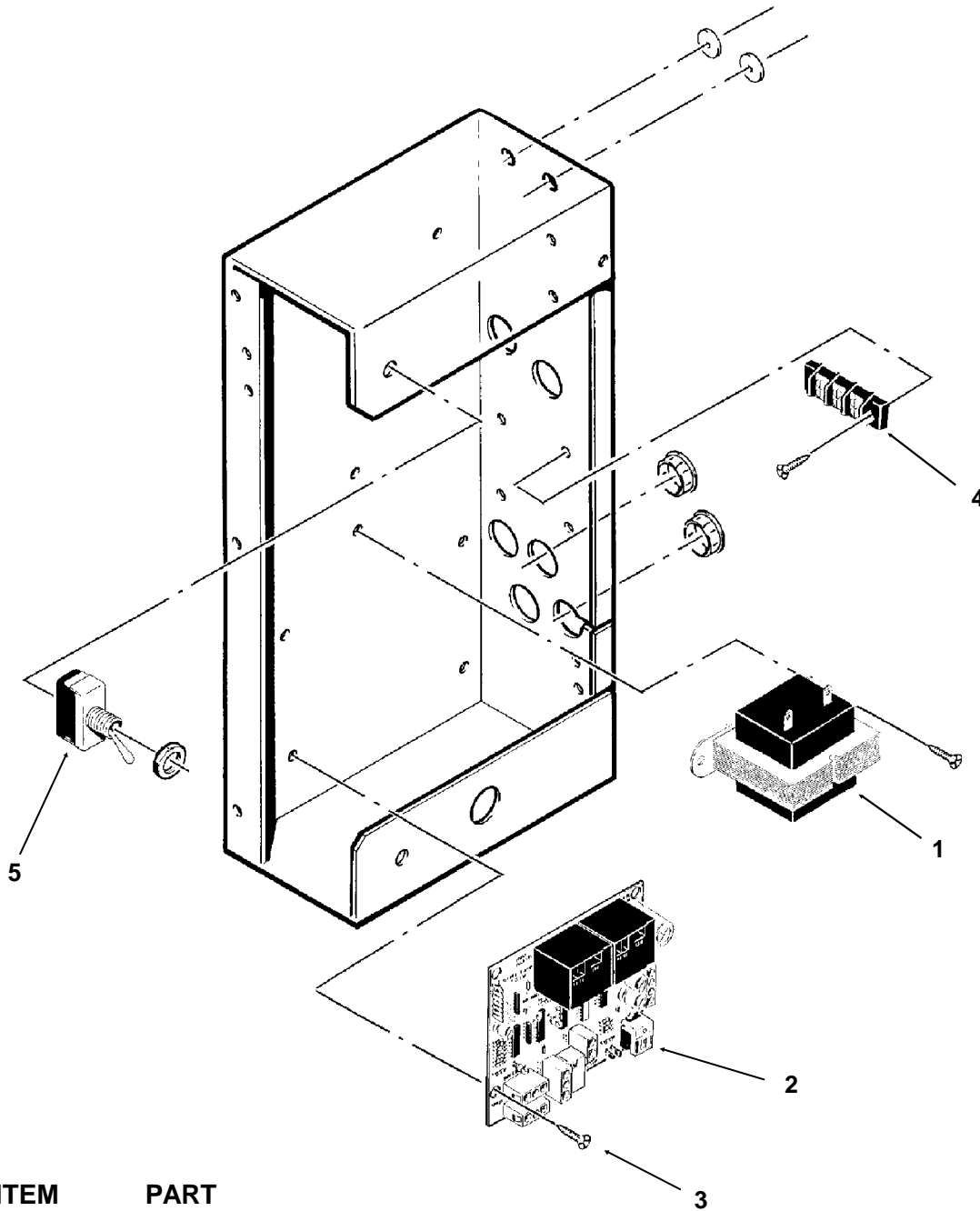
RL Single System SERVICE PARTS

Gearmotor



RL Single System SERVICE PARTS

Control Box

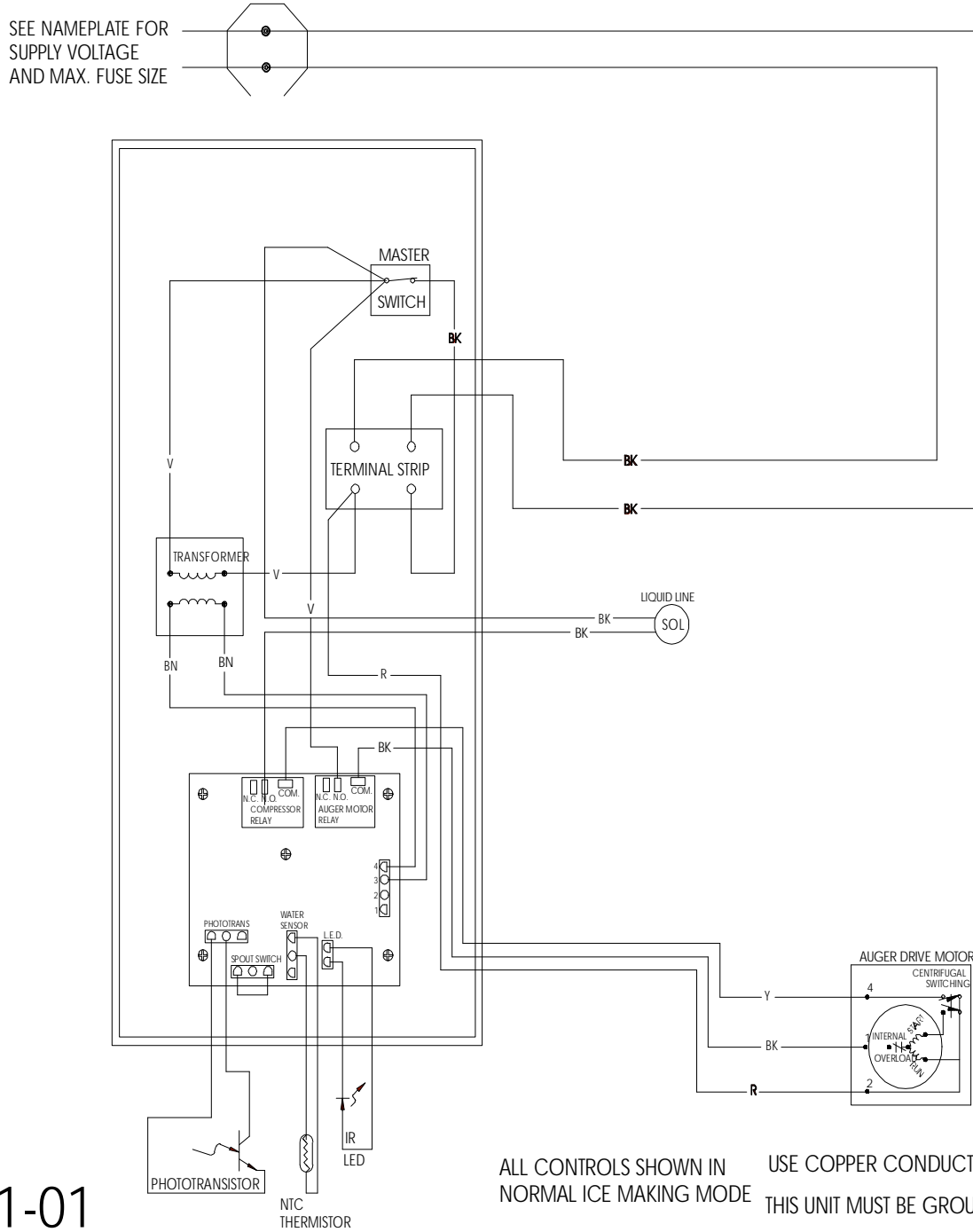


ITEM NUMBER	PART NUMBER	DESCRIPTION
1	12-2285-22	Transformer
2	A37750-021	Circuit Board
3	12-2350-01	Stand off
4	12-0813-04	Terminal Strip
5	12-0426-01	Master Switch

Not Illustrated:

6	12-2340-01	Wire harness to transformer
7	A34055-001	Control Box Cover

RL Single System SERVICE PARTS Wiring Diagram



17-2491-01

RL Single System SERVICE PARTS Schematic Diagram

