

RF33 SERVICE PARTS

This is the parts list for the RF33 Refrigerator.

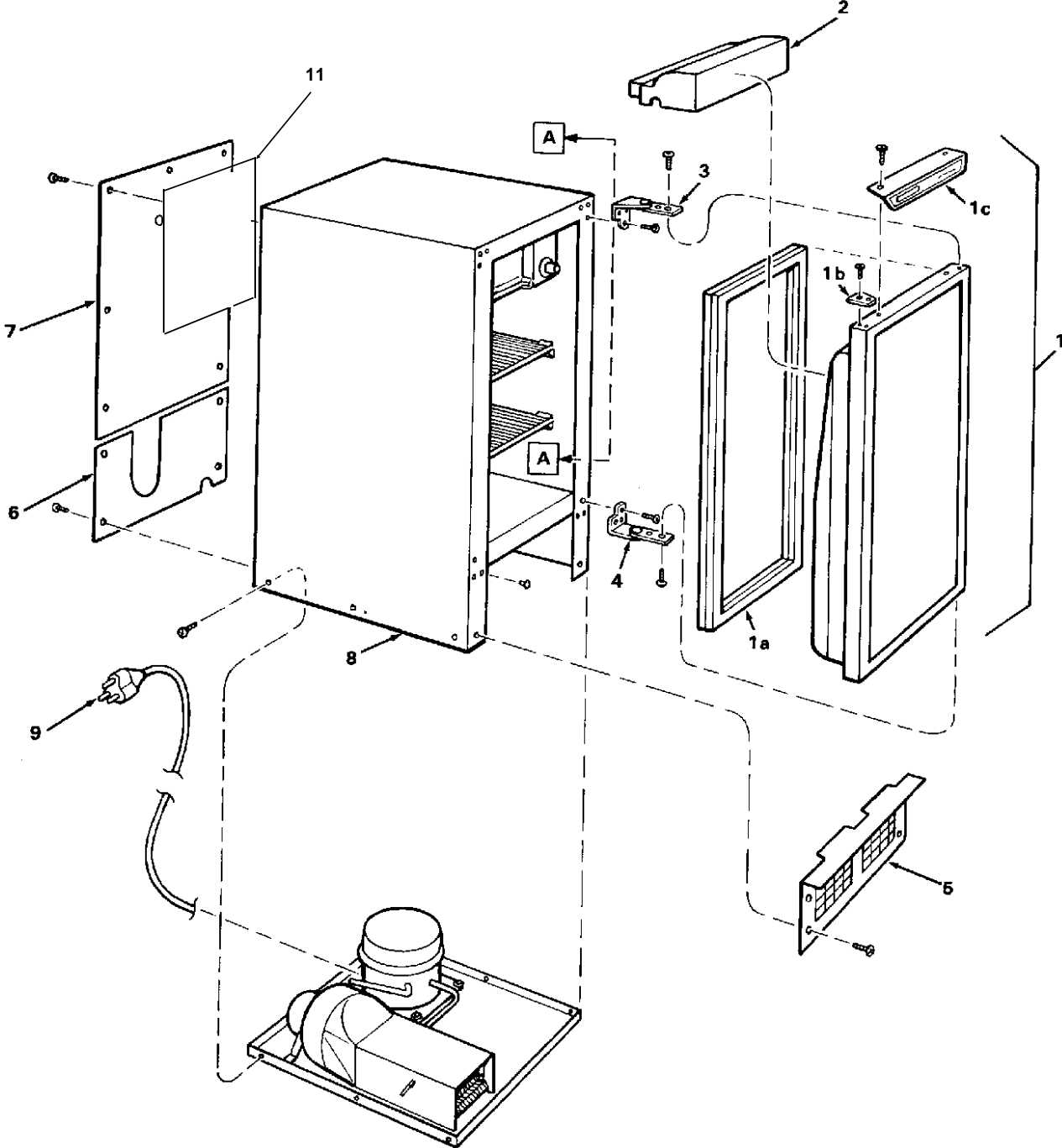
It covers all models of the refrigerator, so be certain to check the model and serial number before ordering parts.

The compressor changed several times; door panels changed also.

Table of Contents

Cabinet	page 2
Refrigeration	page 4
Condenser	page 6
Wiring Diagrams	page 7

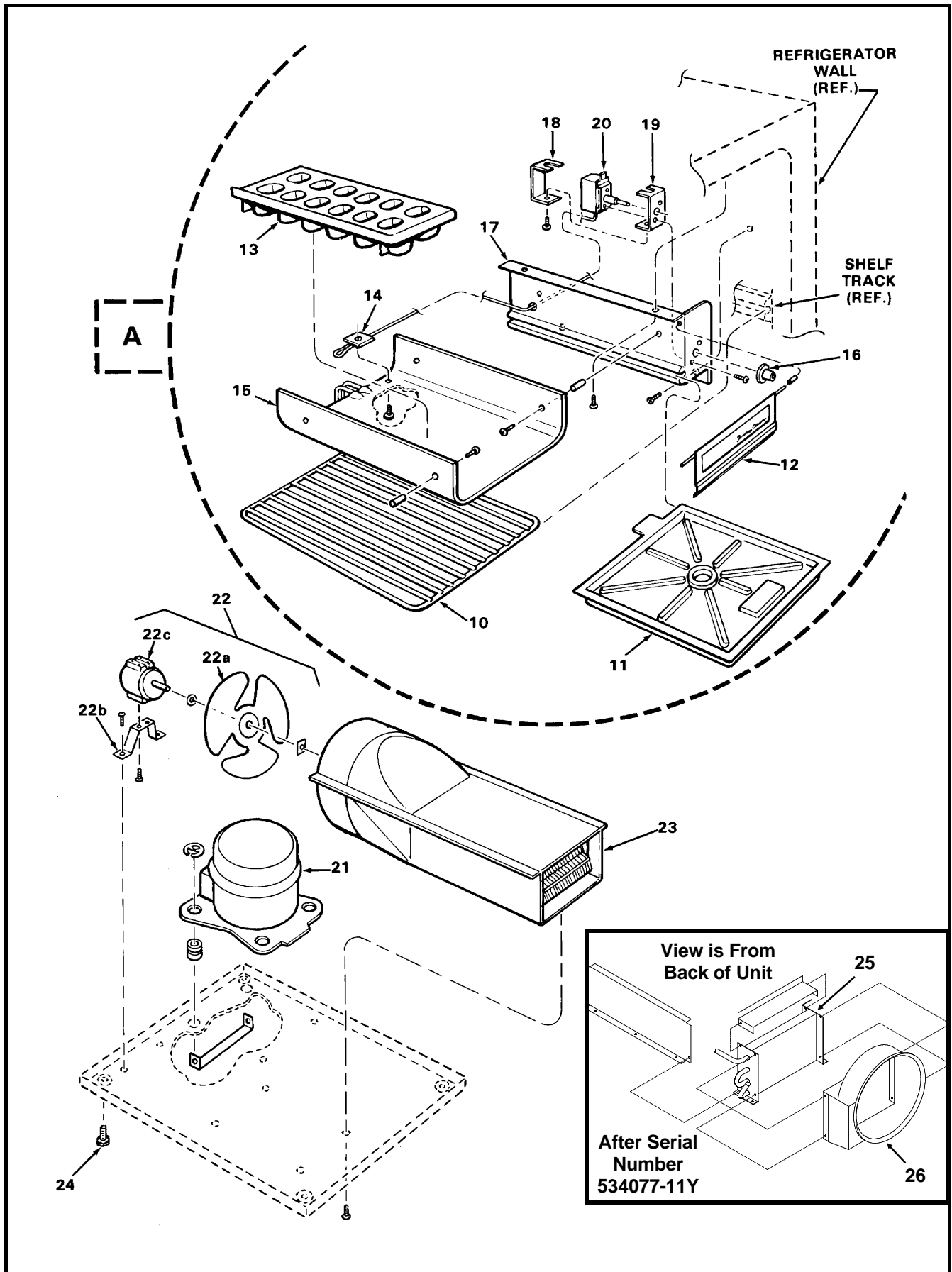
RF33 SERVICE PARTS



RF33 SERVICE PARTS

INDEX NO.	PART NUMBER	DESCRIPTION
1	A35364-007	Door with alum. trim (white panel)
	A35364-004	Door with alum trim (sandalwood panel)
1a	13-0825-01	Gasket
1b	15-0648-02	Left side filler plate
	15-0648-01	Right side filler plate (shipped w/product as spare)
	03-1418-24	Screw for alum door
	03-1418-40	Screw for brass door
1c	A29044-001	Handle, alum
	03-1607-02	Screw for brass door
	03-1607-01	Screw for alum door
	15-0731-01	Emblem label (white)
2	obsolete	Tray, not used after 1980
3	15-0653-01	Hinge
4	15-0653-02	Hinge
	03-1418-40	Screw for brass door
	03-1418-24	Screw for alum door
5	02-2243-02	Kickplate
6	A29411-001	Lower back panel
7	A29412-001	Upper back panel
	A35546-001	Back panel RF33A-1WA only (top to base)
8	A29068-021	Cabinet & liner (sandalwood)
	A29068-022	Cabinet & liner (white)
9	12-1638-09	Power cord
10	02-2489-02	Shelf
11	02-3256-01	Insulation & bag (RF33A-1WA only)

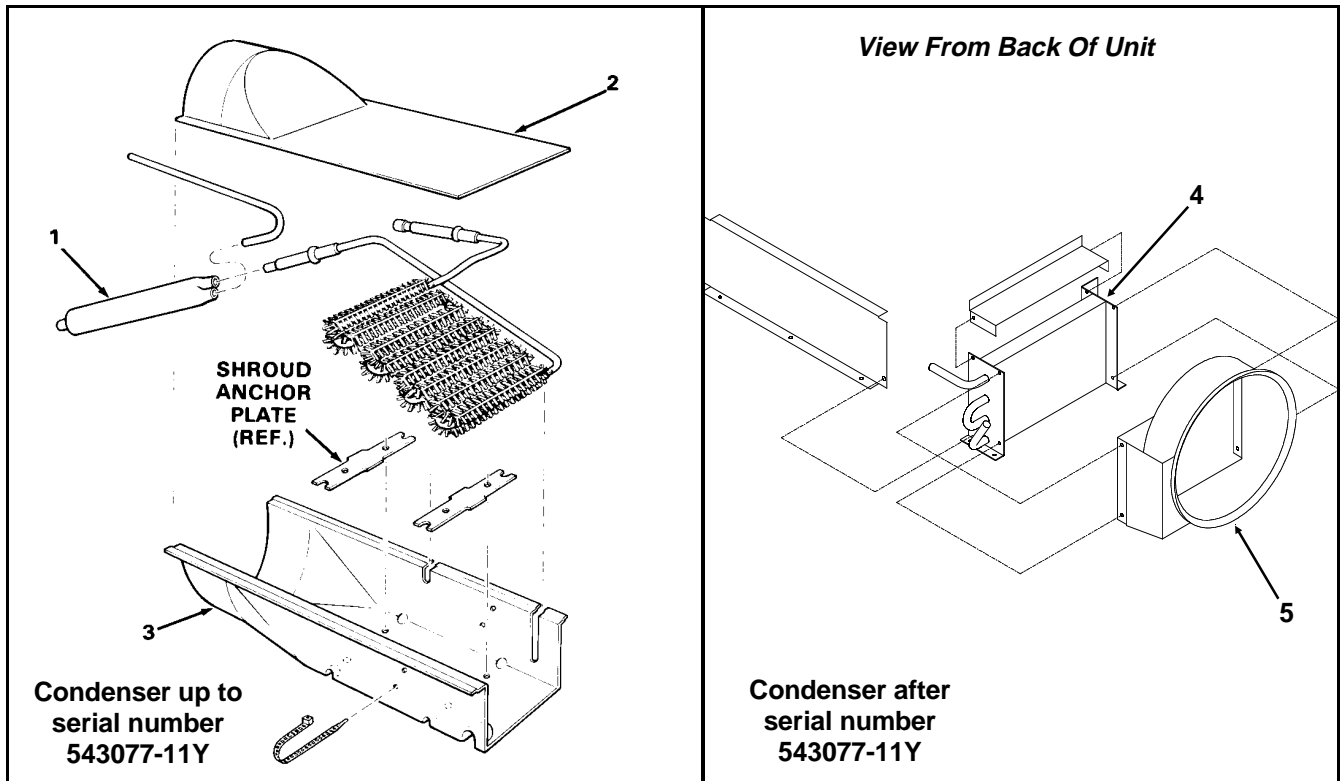
RF33 SERVICE PARTS



RF33 SERVICE PARTS

INDEX NO.	PART NUMBER	DESCRIPTION
10	02-2489-02	Shelf
11	02-2506-01	Drip pan
12	02-2507-01	Freezing compartment door
13	02-2491-01	Optional ice cube tray
14	no number	bulb holder clip
15	A29423-001	Evaporator
	02-2505-01	Spacer
	03-1611-04	Screw
	A35548-001	Suction line
16	15-0657-01	Knob
17	02-2823-01	Thermostat housing
	03-1611-01	Screw
18	A32074-001	Cover, goes with item 19
	03-1404-33	Screw
19	A32073-001	Base, goes with item 18
20	11-0406-01	Thermostat, before serial number 872065-12G
	11-0442-21	Thermostat, after serial number 872065-12G
	12-1213-06	Bushing
	13-0557-00	Grommet
21	18-4900-42	Overload for Matsushita (up to serial number 801213-01U)
	18-4900-43	Relay for Matsushita
	18-6000-21	Compressor (Sanyo) after sn 813051-3U, up to RF33A-1WA ; (replaces Matsushita)
	18-6000-42	Relay for Sanyo (Sanyo has internal overload)
	18-8714-01	Compressor for RF33A-1WA (Embraco)
	18-8714-51	Relay for Embraco
	18-8714-52	Overload for Embraco
	A29015-002	Bracket, compressor mounting
	18-8715-01	Grommet for RF33A-1WA (Embraco comp)
02-2497-01	Clip	
22	no number	Fan motor & Bracket assembly
	03-1531-07	Screw
22a	18-8713-01	Blade, fan
22b	A28798-001	Bracket, mounting
22c	12-2454-01	Fan motor
23	A29067-020	Shroud and condenser assembly, used up to serial number 543077-11Y (April 1992)
	03-1404-08	Screw
24	03-1608-01	Leveler, Leg
25	18-8710-01	Condenser used after serial number 534077-11Y, up to RF33A-1WA.
	18-8712-01	Condenser for RF33A-1WA only
26	02-2871-01	Fan shroud used after serial number 534077-11Y

RF33 SERVICE PARTS

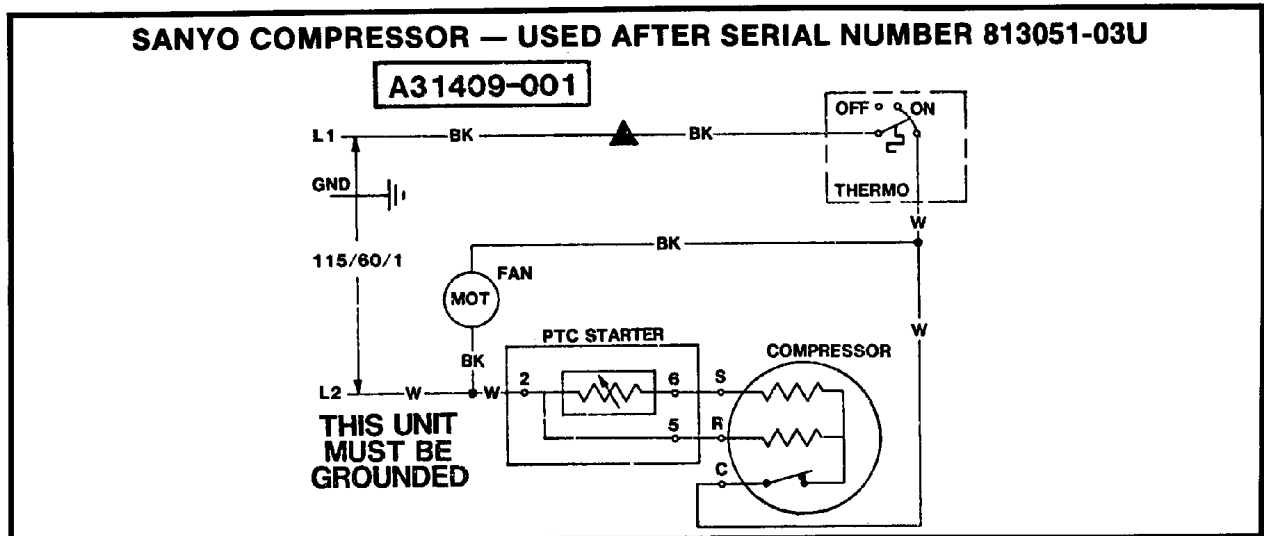
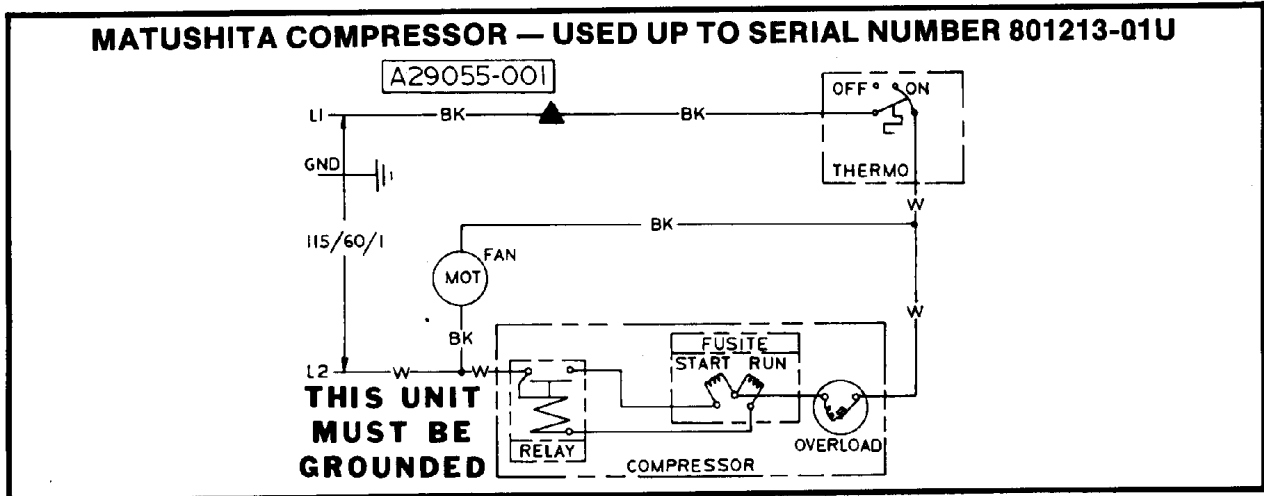


Condenser Fan Shroud Assembly

INDEX NO.	PART NUMBER	DESCRIPTION
	A29067-020	Shroud and condenser assembly, used up to serial number 543077-11Y (April 1992)
1	02-2488-01	Drier
2	02-2860-01	Top of shroud
3	02-2861-01	Bottom of shroud
4	18-8710-01	Condenser used after serial number 543077-11Y, up to RF33A-1WA
	18-8712-01	Condenser for RF33A-1WA only
5	02-2871-01	Fan shroud used after serial number 543077-11Y

RF33 SERVICE PARTS

Prior Model Wiring Diagrams



RF33 SERVICE PARTS

Wiring Diagram for RF33A-1WA

